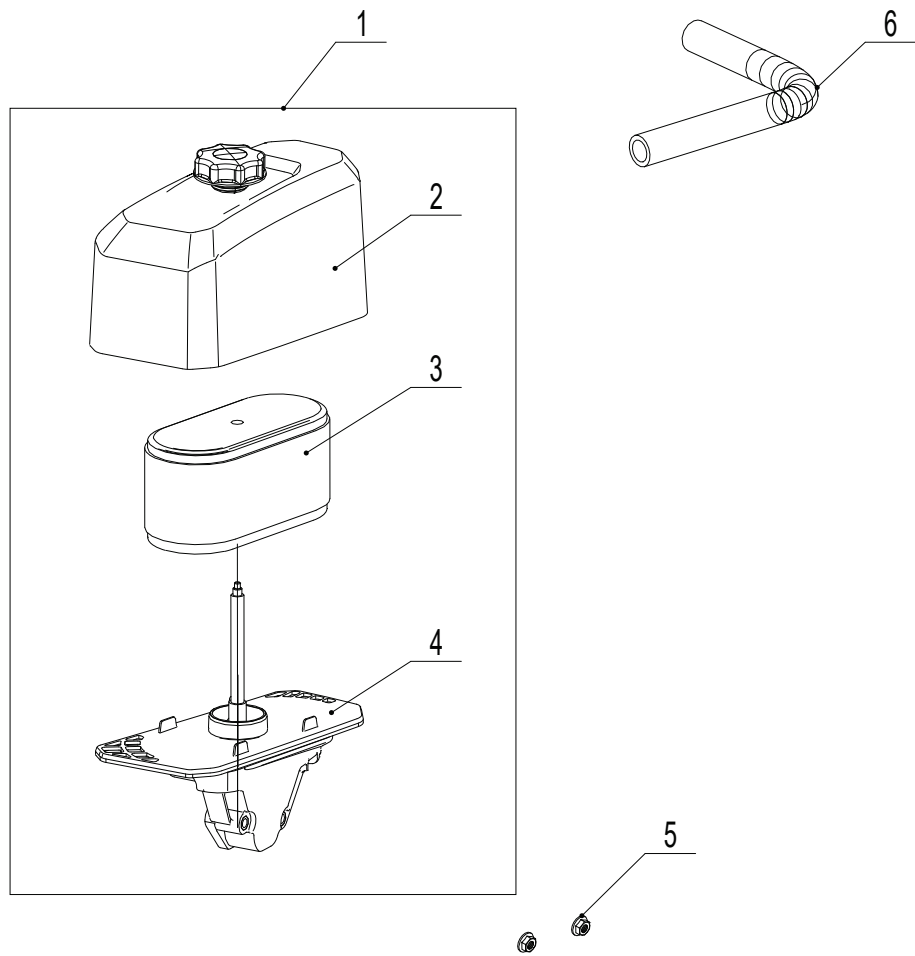
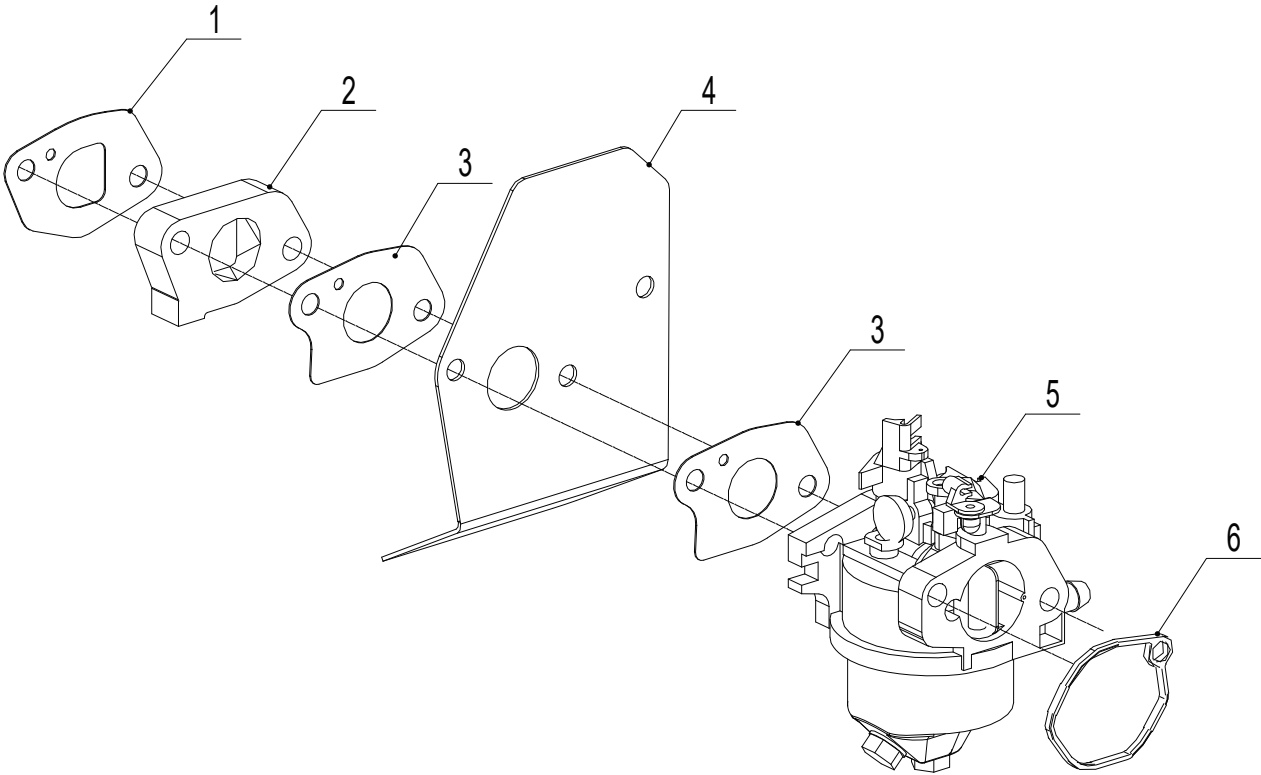


Model:LC1P70FC
Status Code:K5595
Air Cleaner



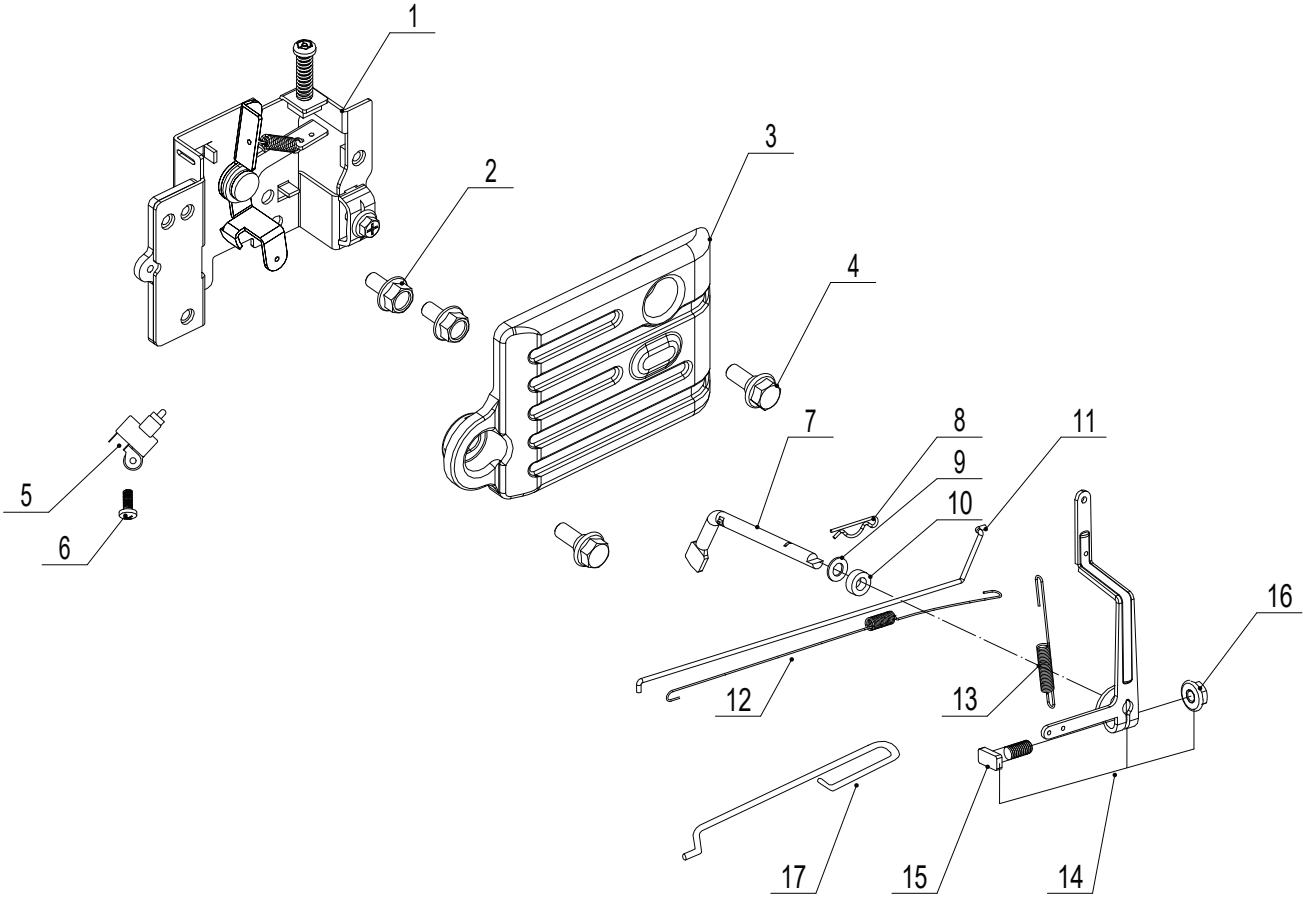
10		Air Cleaner Spare Parts	
REF.	PART NUMBER	Name_English	QTY.
1	180020881-0001	Air filter seat	1
2	180070251-0001	Air filter casing cover	1
3	180130289-0001	Air filter element	1
	180130290-0001	Air filter element	1
4	180280114-0001	Air filter seat	1
5	380370066-0001	Hexagon nut with flange	2
6	380741254-0002	Breather tube	1

Model:LC1P70FC
Status Code:K5595
Carburetor



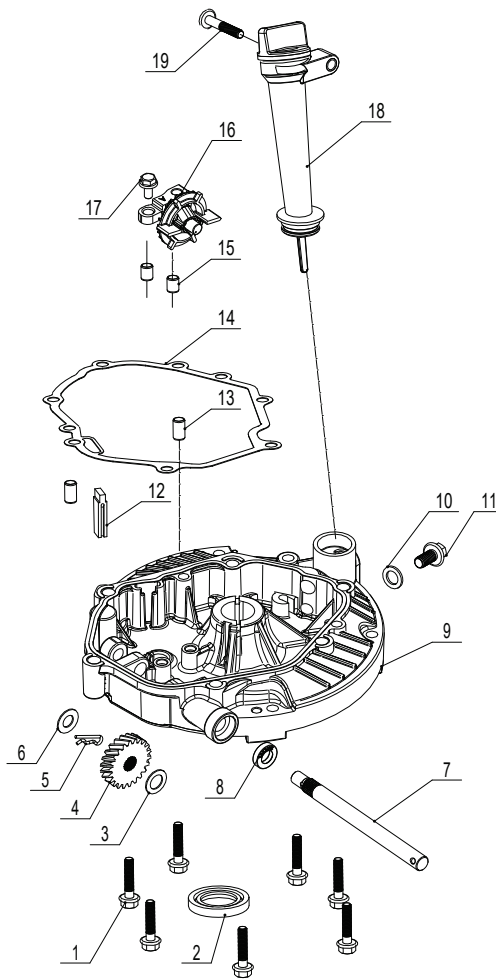
7	Carburetor Spare Parts		
REF.	PART NUMBER	Name_English	QTY.
1	170430155-0001	Carburetor gasket	1
2	170440079-0001	Heat insulating pad for carburetor	1
3	170430147-0001	Carburetor gasket	2
4	170450001-0001	Heat insulating plate for carburetor	1
5	170021995-0001	Carburetor	1
6	170430177-0001	Carburetor gasket	1

Model:LC1P70FC
Status Code:K5595
Control System



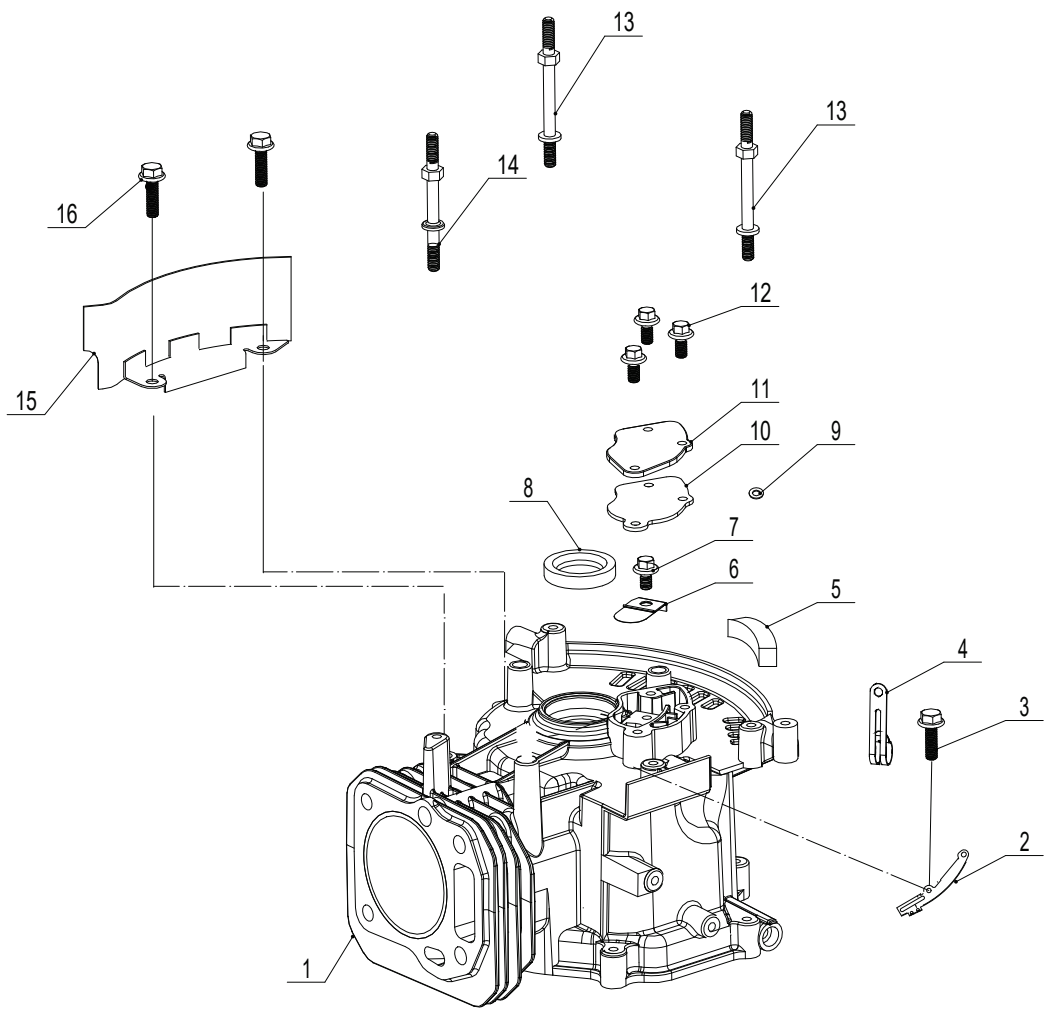
9	Control System Spare Parts		
REF.	PART NUMBER	Name_English	QTY.
1	171680146-0001	Throttle handle combination	1
2	380140067-0003	Hexagon bolt with flange	2
3	171740006-0001	Guard plate for throttle combination	1
4	380020070-0001	Hexagon shaft shoulder bolt	2
5	271660026-0001	Stop switch	1
6	380200046-0002	Cross recessed pan head screw	1
7	171630010-0002	Speed regulating arm	1
8	381350004-0001	Pin clip	1
9	380450527-0001	Flat washer	1
10	380650338-0001	Oil seal	1
11	171590007-0001	Throttle rod	1
12	171610015-0001	throttle return spring	1
13	171600068-0001	Governing spring	1
14	171620016-0003	Speed regulating bracket	1
15	380250002-0001	Square head set screw with flat point	1
16	380370066-0001	Hexagon nut with flange	1
17	171650002-0001	Choke valve pull rod	1

Model:LC1P70FC
Status Code:K5595
Crank Case Cover



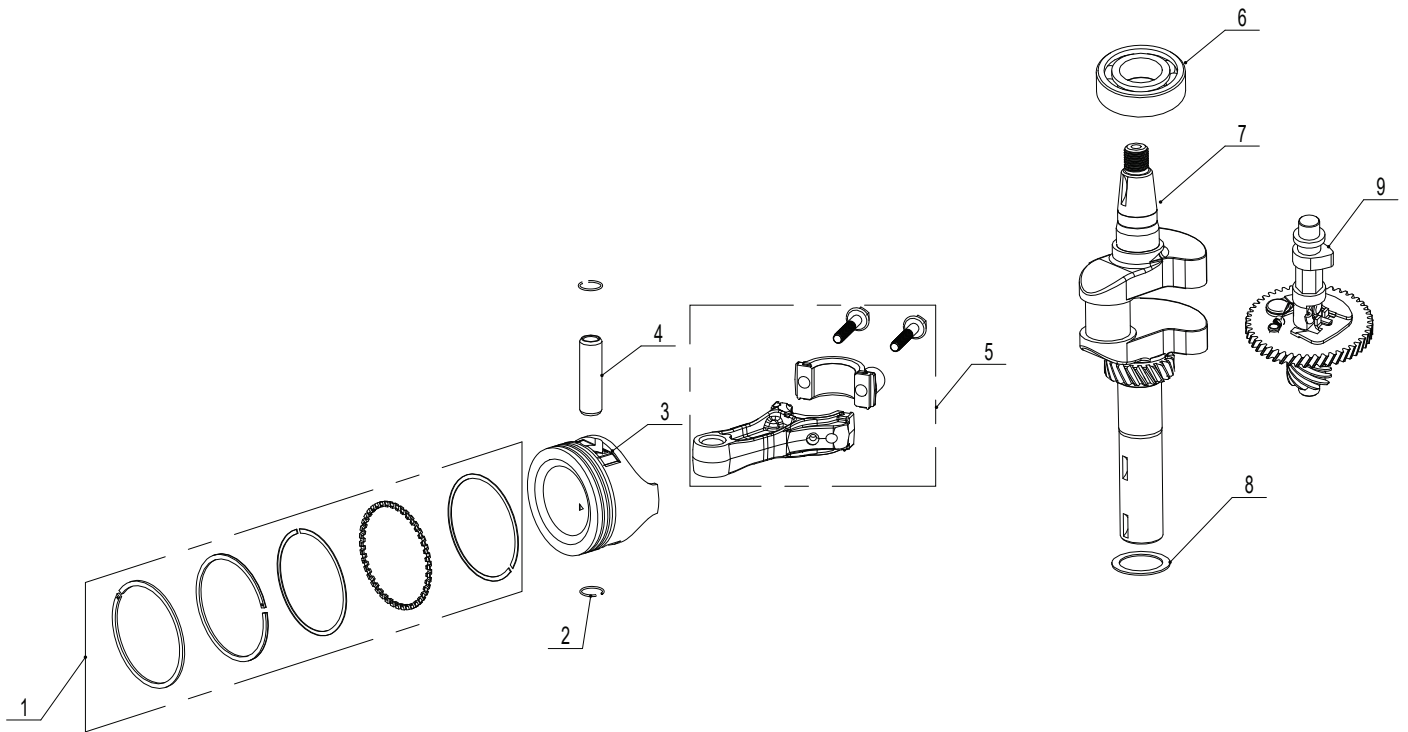
3 Crank Case Cover Spare Parts			
REF.	PART NUMBER	Name_English	QTY.
1	380140148-0005	Hexagon bolt with flange	6
2	380650347-0001	Oil seal	1
3	380451036-0001	Flat washer	1
4	196150005-0001	worm gear	1
5	381350020-0001	Pin clip	1
6	380451035-0001	Flat washer	1
7	193050027-0001	Output shaft	1
8	380650666-0001	Oil seal	1
9	110820161-0002	Crankcase cover	1
10	380450514-0001	Flat washer	1
11	110260025-0001	Sealing plug screw	1
12	150570002-0001	Engine oil return block	1
13	380600120-0001	ocation pin	2
14	110830057-0001	Crankcase cover gasket	1
15	380600121-0001	ocation pin	2
16	174280009-0001	Components of governor gear	1
17	380140077-0005	Hexagon bolt with flange	1
18	110690016-0002	Oil rule combination	1
19	380140100-0003	Hexagon bolt with flange	1

Model:LC1P70FC
Status Code:K5595
Crank Case



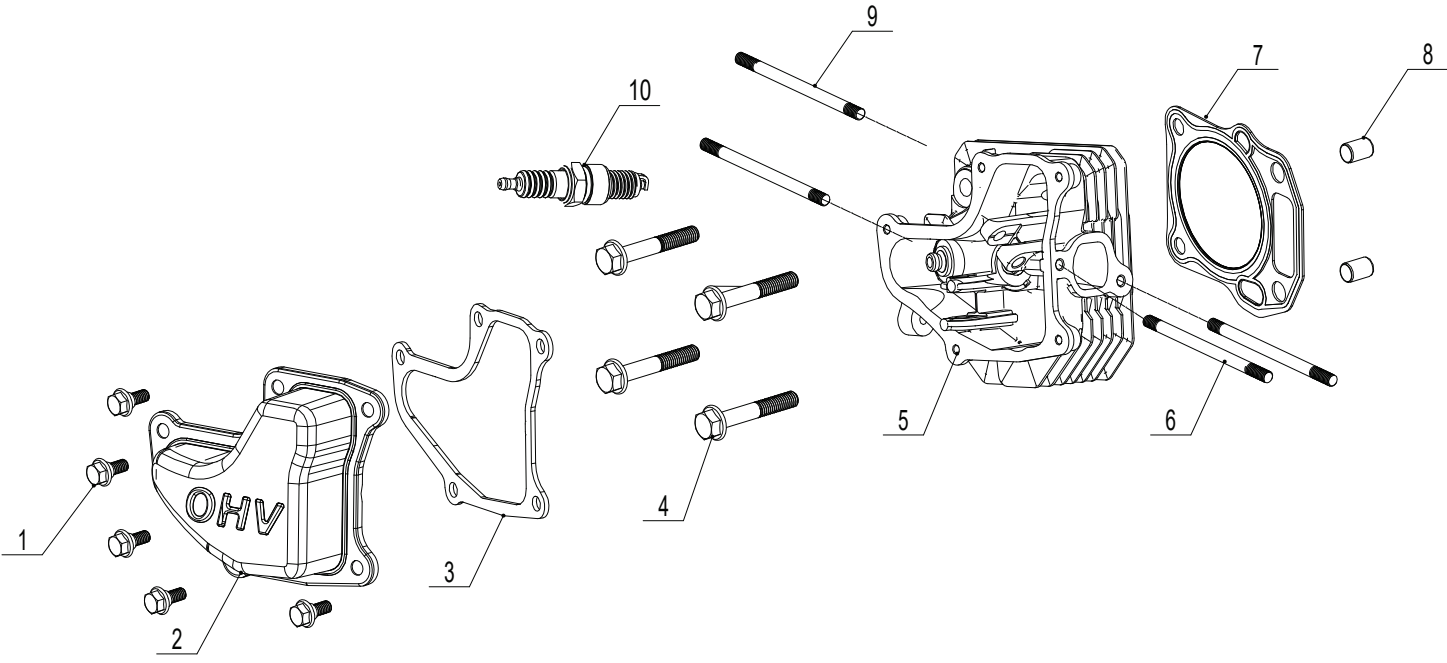
2	Crank Case Spare Parts		
REF.	PART NUMBER	Name_English	QTY.
1	110810215-0001	Crankcase body	1
2	160200037-0001	Side plate	1
3	380140067-0003	Hexagon bolt with flange	1
4	380940346-0003	Cable cleat	1
5	150290026-0001	Engine oil Strainer	1
6	140250026-0001	Leaf valve	1
7	380140037-0003	Hexagon bolt with flange	1
8	380650335-0001	Oil seal	1
9	380821590-0001	Bushing	1
10	110850011-0001	PACKING BREATHER CHAMBER	1
11	110840011-0001	CAP,BREATHER CHAMBER	1
12	380140441-0001	Hexagon bolt with flange	3
13	380850012-0001	Stay stud	2
14	380850011-0001	Stay stud	1
15	160200048-0001	Side plate	1
16	380140013-0005	Hexagon bolt with flange	2

Model:LC1P70FC
Status Code:K5595
Crankshaft



4	Crankshaft Spare Parts		
REF.	PART NUMBER	Name_English	QTY.
1	130070188-0001	Piston ring combination	1
2	380560055-0001	Steel cable baffle ring	2
3	130030269-0001	Piston	1
4	130060030-0001	Piston pin	1
5	130150122-0001	Connecting rod	1
6	380630137-0002	Bearing	1
7	130290531-0002	crankshaft	1
8	380450518-0001	Flat washer	1
9	140020148-0001	Camshaft assy	1

Model:LC1P70FC
Status Code:K5595
Cylinder Head



1	Cylinder Head Spare Parts		
REF.	PART NUMBER	Name_English	QTY.
1	380020128-0001	Hexagon shaft shoulder bolt	5
2	120230098-0001	Cylinder head cover	1
3	120250037-0001	Gasket for cylinder head cover	1
4	380140339-0001	Hexagon bolt with flange	4
5	120080553-0001	Cylinder head	1
6	380180093-0001	Stud	2
7	120150197-0001	Gasket for cylinder head	1
8	380600117-0001	ocation pin	2
9	380180207-0001	Stud	2
10	270960056-0001	Spark plug	1

Model:LC1P70FC
Status Code:K5595
Decals

1



2



3



4



5

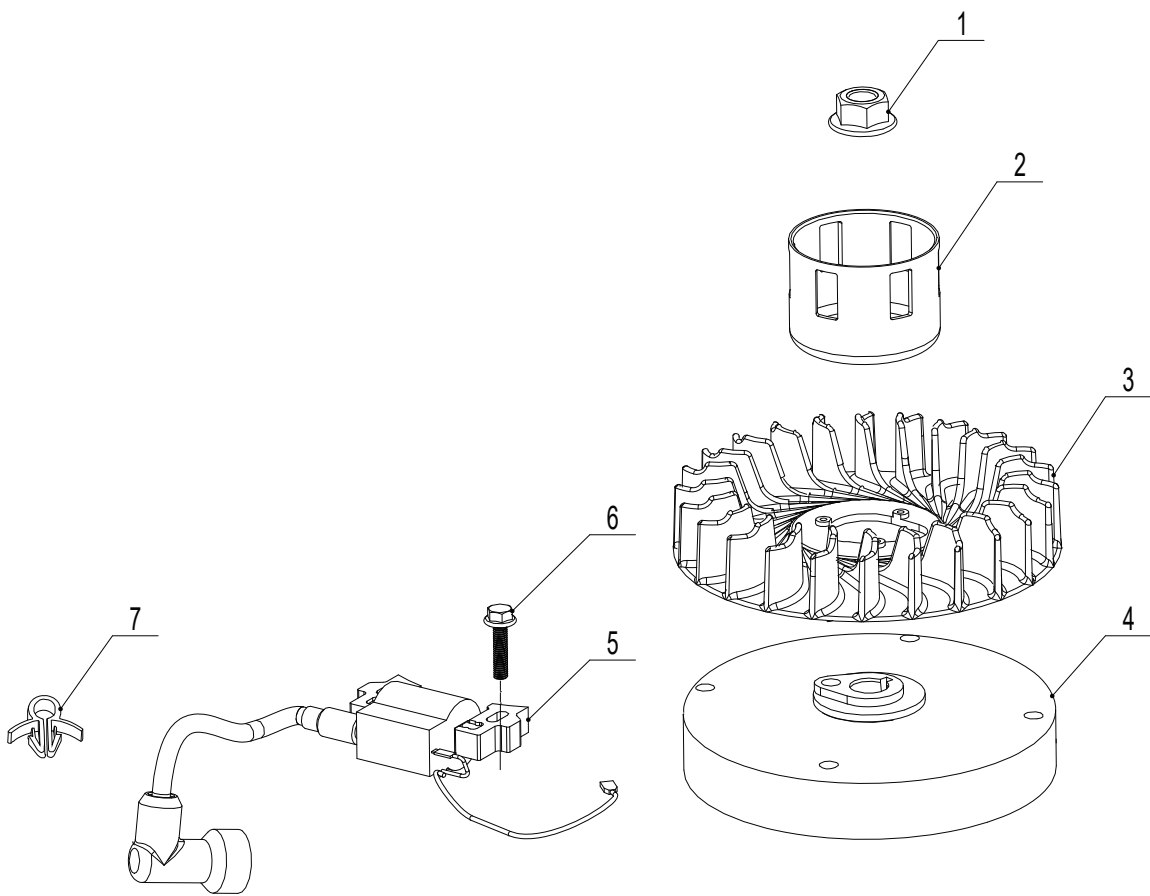


6



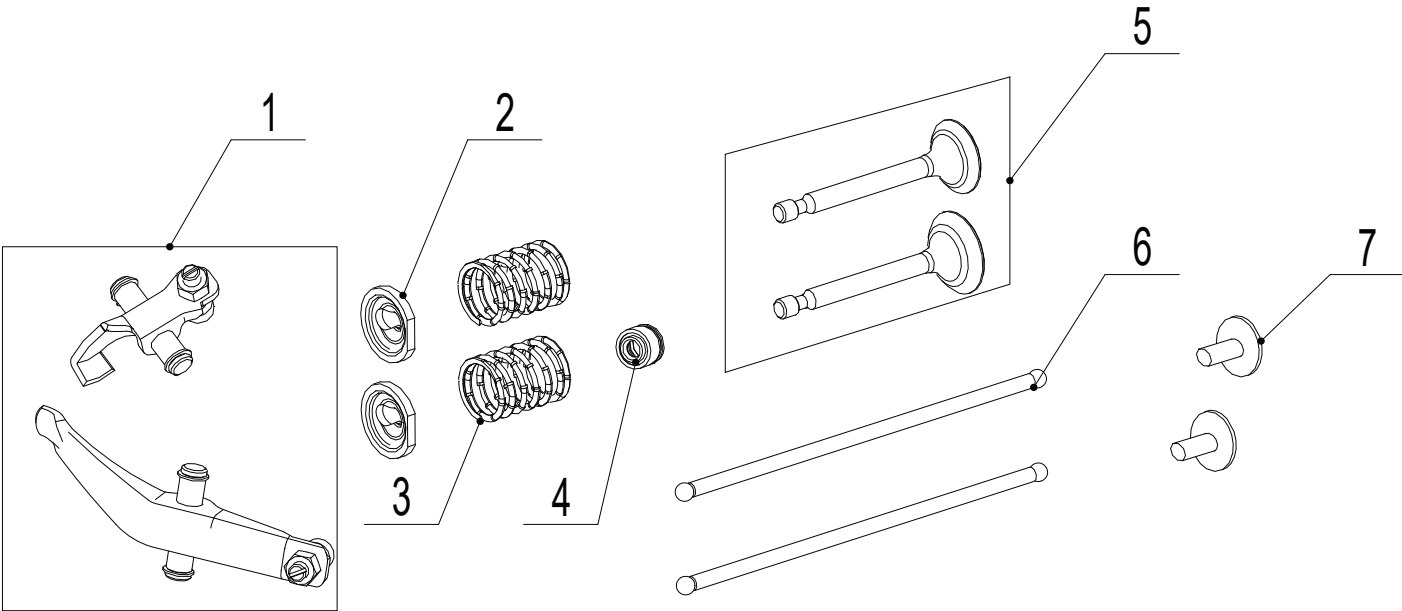
13	Decals Spare Parts		
REF.	PART NUMBER	Name_English	QTY.
1	370320219-0001	Reminder decal	1
2	370320347-0001	Reminder decal	1
3	370321072-0001	Reminder decal	1
4	370329483-0001	Reminder decal	1
5	370329486-0001	Reminder decal	1
6	370340646-0001	Certification decal	1

Model:LC1P70FC
Status Code:K5595
Flywheel



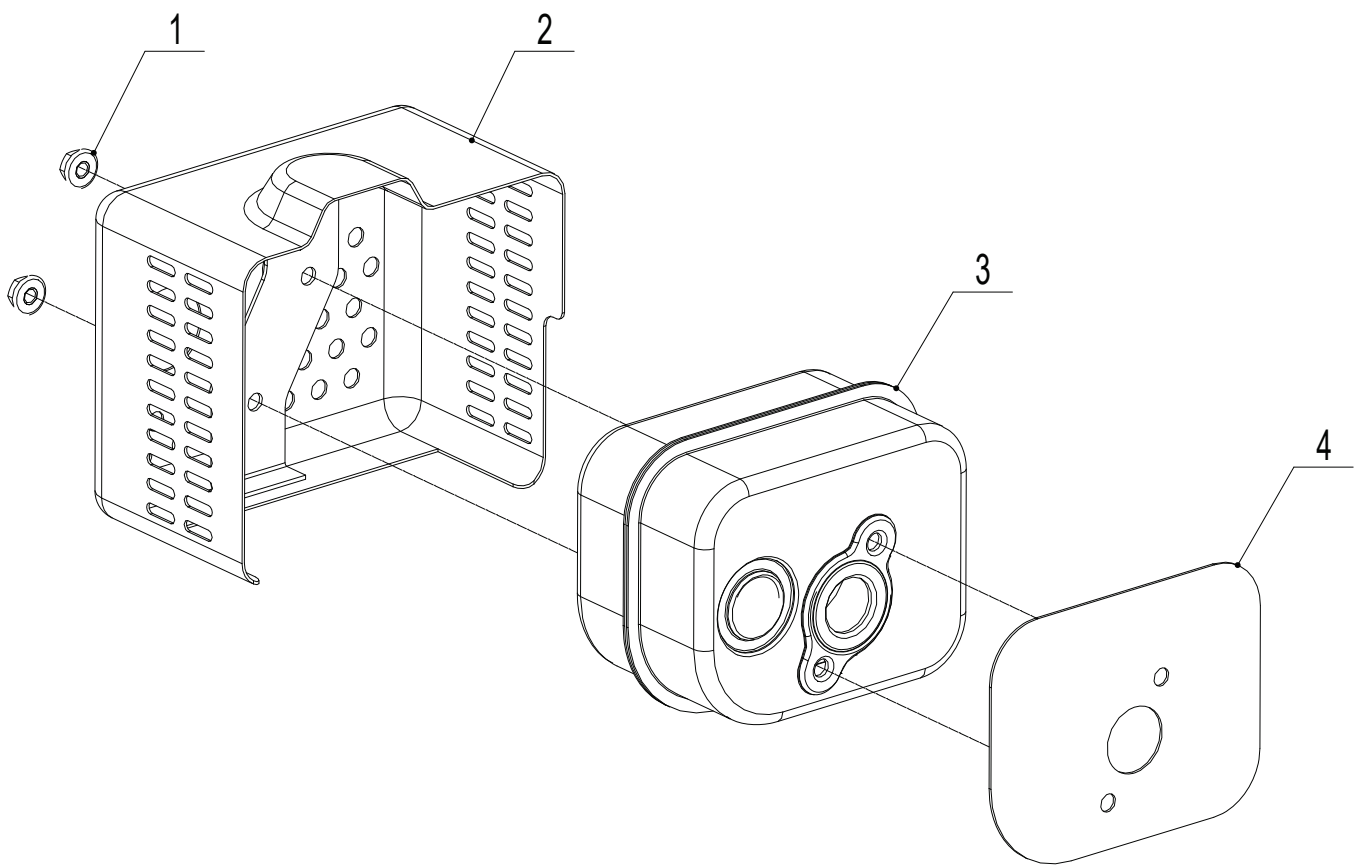
8	Flywheel Spare Parts		
REF.	PART NUMBER	Name_English	QTY.
1	380370051-0001	Hexagon nut with flange	1
2	193590005-0001	Starting disc	1
3	160180015-0001	Impeller	1
4	270020126-0001	FLYWHEEL COMP	1
5	270920286-0001	COIL ASSY.,IGNNTION	1
6	380140103-0004	Hexagon bolt with flange	1
7	380930025-0001	Location wire nail	1

Model:LC1P70FC
Status Code:K5595
Gas Distribution Adjustment



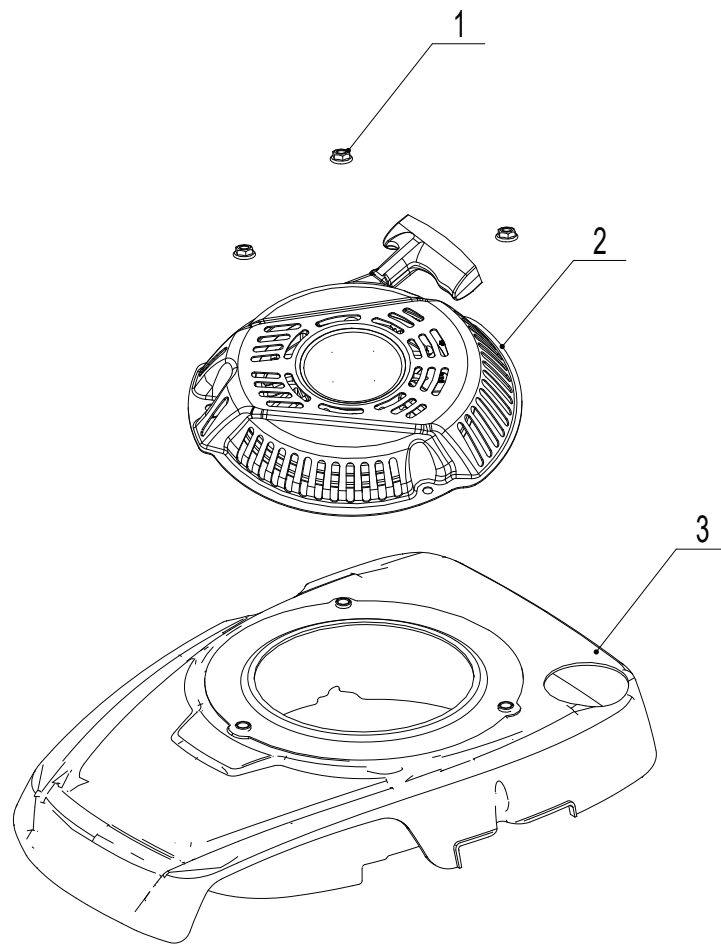
5 Gas Distribution Adjustment Spare Parts			
REF.	PART NUMBER	Name_English	QTY.
1	140450086-0001	Valve rocker combination	1
2	140380020-0001	Retainer, valve spring	2
3	140340022-0001	Inner spring of valve	2
4	140400016-0001	Valve oil seal	1
5	500550067-0001	Valve Kit	1
6	140670007-0001	Push rod	2
7	140690002-0001	Lifter, Valve	2

Model:LC1P70FC
Status Code:K5595
Muffler



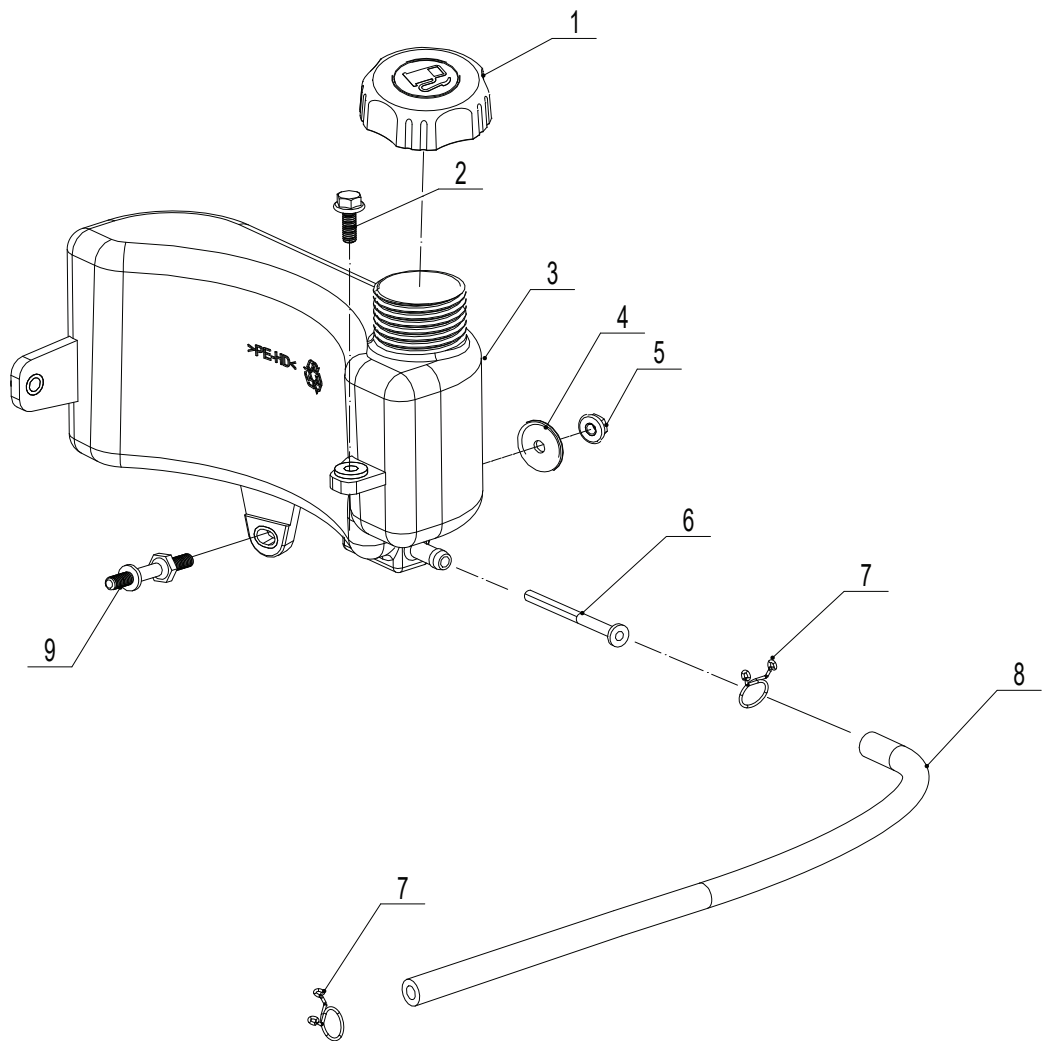
11	Muffler Spare Parts		
REF.	PART NUMBER	Name_English	QTY.
1	380370048-0001	Hexagon nut with flange	2
2	180960026-0001	Muffler guard shield	1
3	180571313-0001	Muffler	1
4	180660110-0001	Muffler gasket	1

Model:LC1P70FC
Status Code:K5595
Starter Subassembly



6	Starter Subassembly Spare Parts		
REF.	PART NUMBER	Name_English	QTY.
1	380370066-0001	Hexagon nut with flange	3
2	193500143-0001	Manual starting components	1
3	160210140-0001	Fan cover comp.	1

Model:LC1P70FC
Status Code:K5595
Fuel Tank



12	Fuel Tank Spare Parts		
REF.	PART NUMBER	Name_English	QTY.
1	170870156-0002	Tank cover	1
2	380140013-0005	Hexagon bolt with flange	1
3	170490355-0001	Tank	1
4	380450444-0002	Flat washer	1
5	380370048-0001	Hexagon nut with flange	1
6	170010017-0001	Fuel filter	1
7	380950190-0001	Pipe clip	2
8	380750202-0002	Oil tube	1
9	380850003-0001	Stay stud	1