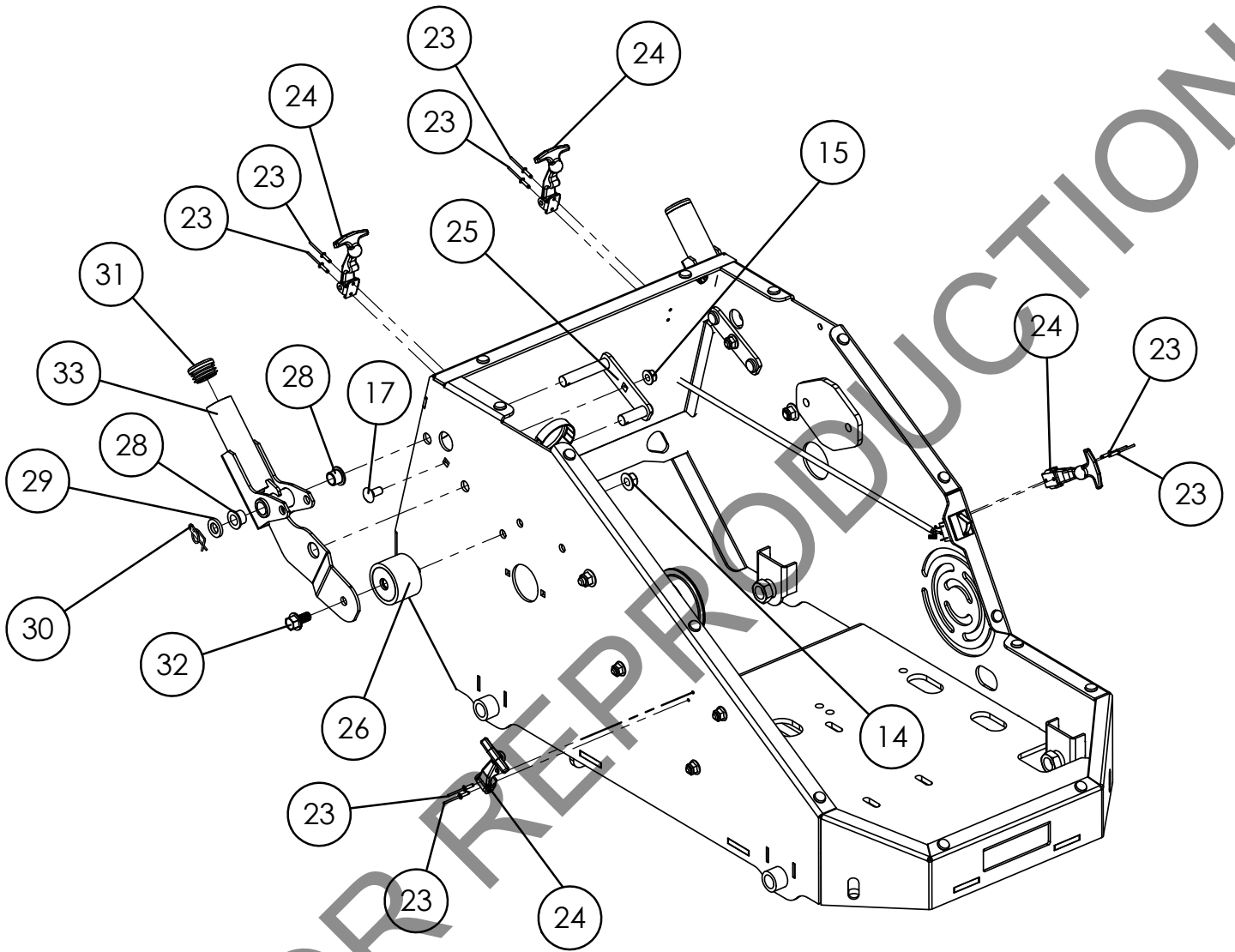


PL1803 Parts Illustrations and Lists

PL1803V

Item No.	Description	Part No.	QTY
1	WA, PL1801 FRAME	382130-S	1
2	BUSHING, SNAP 1.31" ID	382240	1
3	BUSHING, SNAP 1.81" ID	382292	1
4	BUSHING, SPLIT 0.350" NYLON BLACK	373308	1
8	WA, IDLER ARM PL18	382133	1
9	BRG, SLEEVE Ø.500" X Ø.625" X .625"	382312	1
10	BLT-SLDR,SH.500"X1.00",.375"-16X.63"G-8ZP	382259	1
11	RUBBER BUMPER, PUSH-IN	380224	14
12	BLT-SLDR,SH.375"X2.25",.313"-18X.50"G-8ZP	382322	2
13	WSHR-NYL, FLT, .500" X .875" X .125"	382258	2
14	NUT-HEX-NYLK, FLG .375"-16 ZP	8165003	4
15	NUT-HEX-NYLK, FLG .3125"-18 ZP	8165002	5
16	BOLT CARRIAGE 3/8-16 X 2" ZP	8024062	1
17	BOLT CARRIAGE 5/16-18 X 3/4" ZP	8024039	2
18	TUBE SPACER 0.625" OD x 0.357" LONG	440228	1
19	PULLEY IDLER 2.75" OD X 3/8" BORE	350114	1
20	WIRE HARNESS, PL HOOD SWITCH	380227	1
21	PIN, CLEVIS 1/4 x 3/4	381077	1
22	PIN, RUE RING 0.250"	371275	1
25	WA, ISO MOUNT	382134	2
26	ISOLATOR, VIBRATION HANDLE SC181H	373257	2
27	WA, REVOLVER LH	382136-S	1
28	BUSHING, .500" I.D.	362254	4
29	WSHR-STL,FLT .500"X.875"X.134" MAB ZP	382277	2
30	RING, RUE .500"	382336	2
31	PLUG TUBE INSERT 1.25" O.D.	791056	2
32	SER. HEX WSHR FLNG SCR 0.375 - 16 x 0.75	791080	2
34	SWITCH INTERLOCK	840058	1
87	BLT-SLDR,SH.375"X1.00",.313"-18X.50"G-8ZP	360152	1
88	SPRING IDLER UPPER OS900SP	351275	1

PL1803V Parts Illustrations and Lists



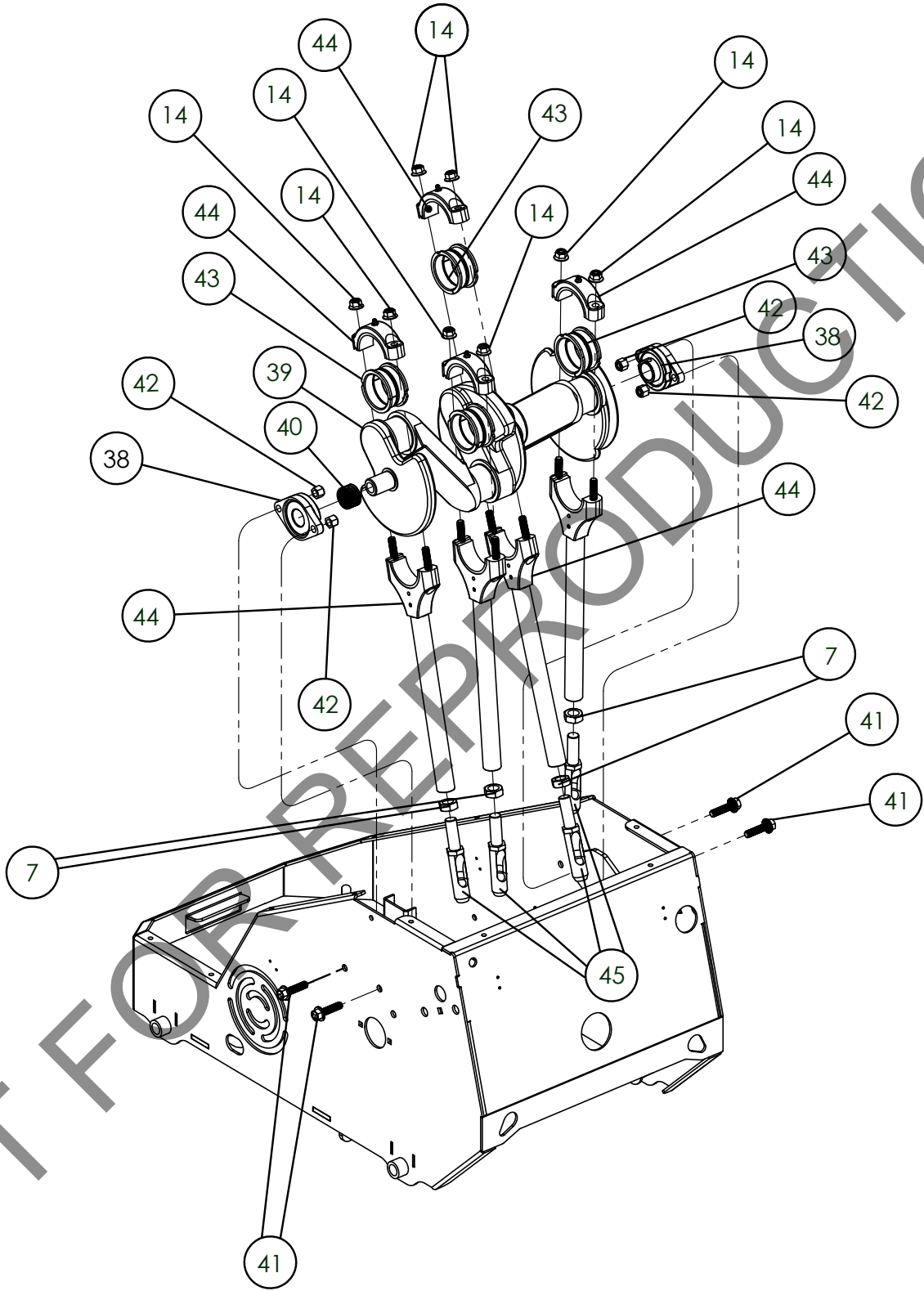
PL1803V Parts Illustrations and Lists

PL1803V

Item No.	Description	Part No.	QTY
14	NUT-HEX-NYLK, FLG .375"-16 ZP	8165003	1
15	NUT-HEX-NYLK, FLG .3125"-18 ZP	8165002	1
17	BOLT CARRIAGE 5/16-18 X 3/4" ZP	8024039	2
23	RIVET 1/8 x 1/4 ALUM	381115	8
24	RUBBER LATCH KIT	381003	4
25	WA, ISO MOUNT	382134	2
26	ISOLATOR, VIBRATION HANDLE SC181H	373257	2
28	BUSHING, .500" I.D.	362254	4
29	WSHR-STL,FLT .500"X.875"X.134" MAB ZP	382277	2
30	RING, RUE .500"	382336	2
31	PLUG TUBE INSERT 1.25" O.D.	791056	2
32	SER. HEX WSHR FLNG SCR 0.375 - 16 x 0.75	791080	2
33	WA, REVOLVER RH	382135-S	1

NOT FOR REPRODUCTION

PL1803V Parts Illustrations and Lists



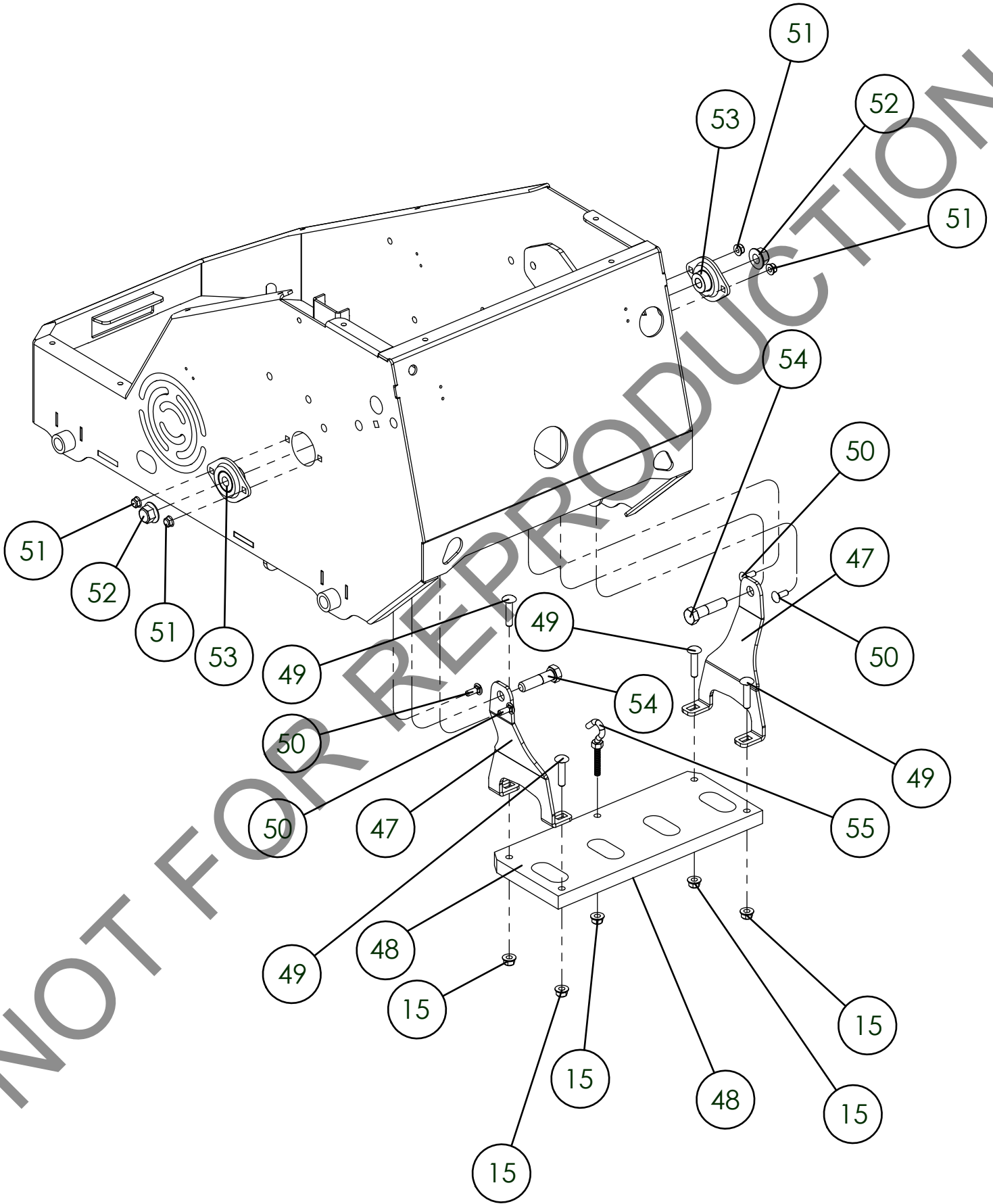
PL1803V Parts Illustrations and Lists

PL1803V

Item No.	Description	Part No.	QTY
7	JAM NUT, 5/8-11 UNC	8143007	4
14	NUT-HEX-NYLK, FLG .375"-16 ZP	8165003	6
38	BEARING FLANGED 1.0 DIA	381042	2
39	CRANK 4 TINE	381296	1
40	SPRING, WAVE 1.000" X .700"	382220	1
41	SCR-CAP, HSWH .375"-16 X 1.500" G5 ZP	382296	4
42	NUT LOCK 3/8-16 HEX	8160003	4
43	BEARING JOURNAL 2" DIA	380213	8
44	ASM, TINE ROD AND CAP	382264	4
45	TINE, PLUGR .625"-11 BLACK	382244	4

NOT FOR REPRODUCTION

PL1803V Parts Illustrations and Lists

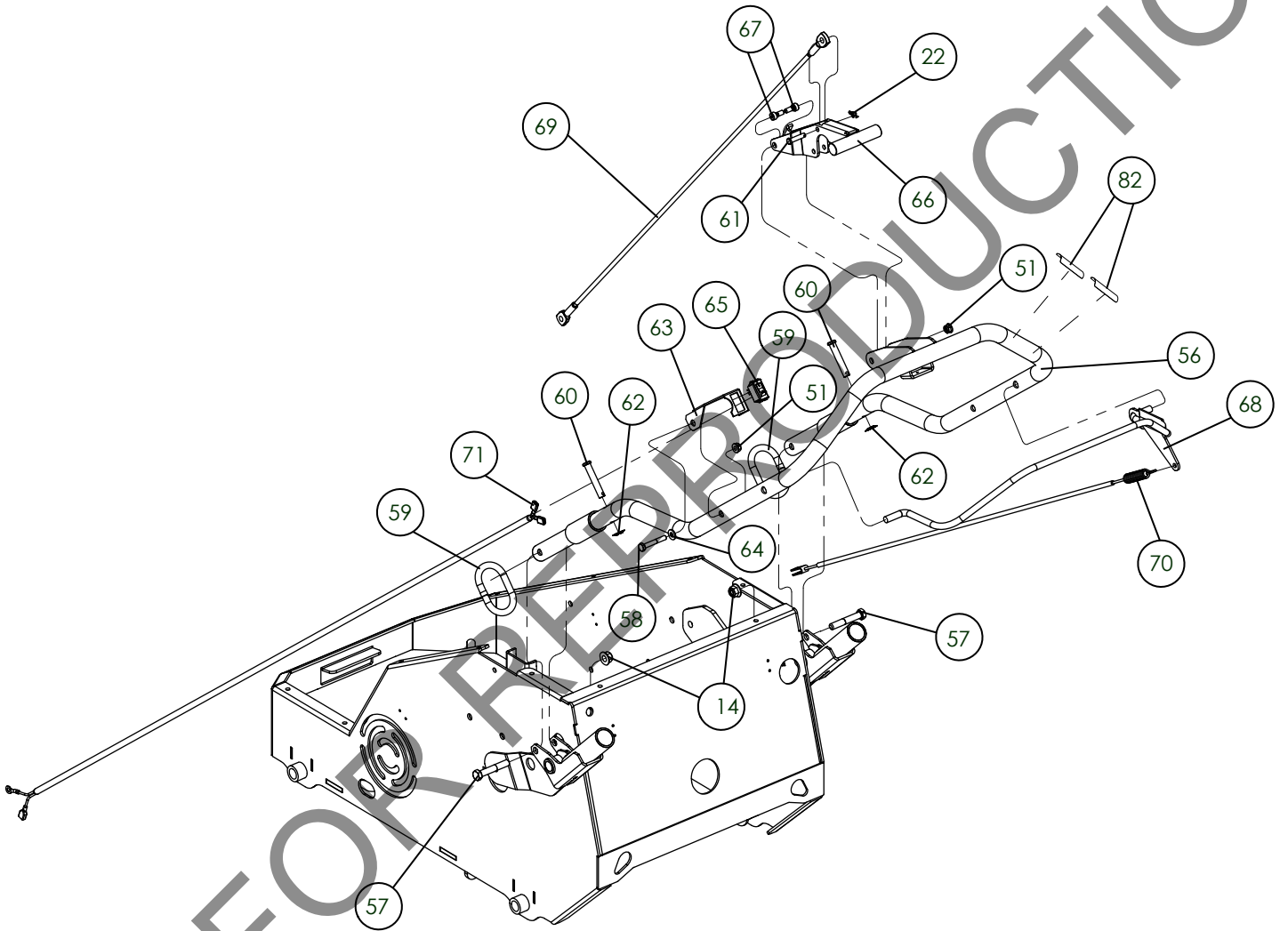


PL1803V Parts Illustrations and Lists

PL1803V

Item No.	Description	Part No.	QTY
15	NUT-HEX-NYLK, FLG .3125"-18 ZP	8165002	5
47	BRKT, RETRACTOR PLATE	382326	2
48	PLATE, RETRACTOR PL1801	382325	1
49	BLT-RDHDSSQNK, .3125"-18 X 1.500" G5 ZP	8024068	4
50	BOLT CARRIAGE 1/4-20 X 3/4" ZP	8024021	4
51	NUT-HEX-NYLK, FLG .250"-20 ZP	8165001	4
52	NUT-HEX-NYLK, FLG .500"-13 ZP	8165005	2
53	BEARING 1/2" PRESSED STEEL HOUSING	891025	2
54	SCREWCAP 1/2-13 X 2 GR5 ZP	8041098	2
55	BLT, HOOK .3125"-18 X 3.125" OAL W/NUT	382337	1

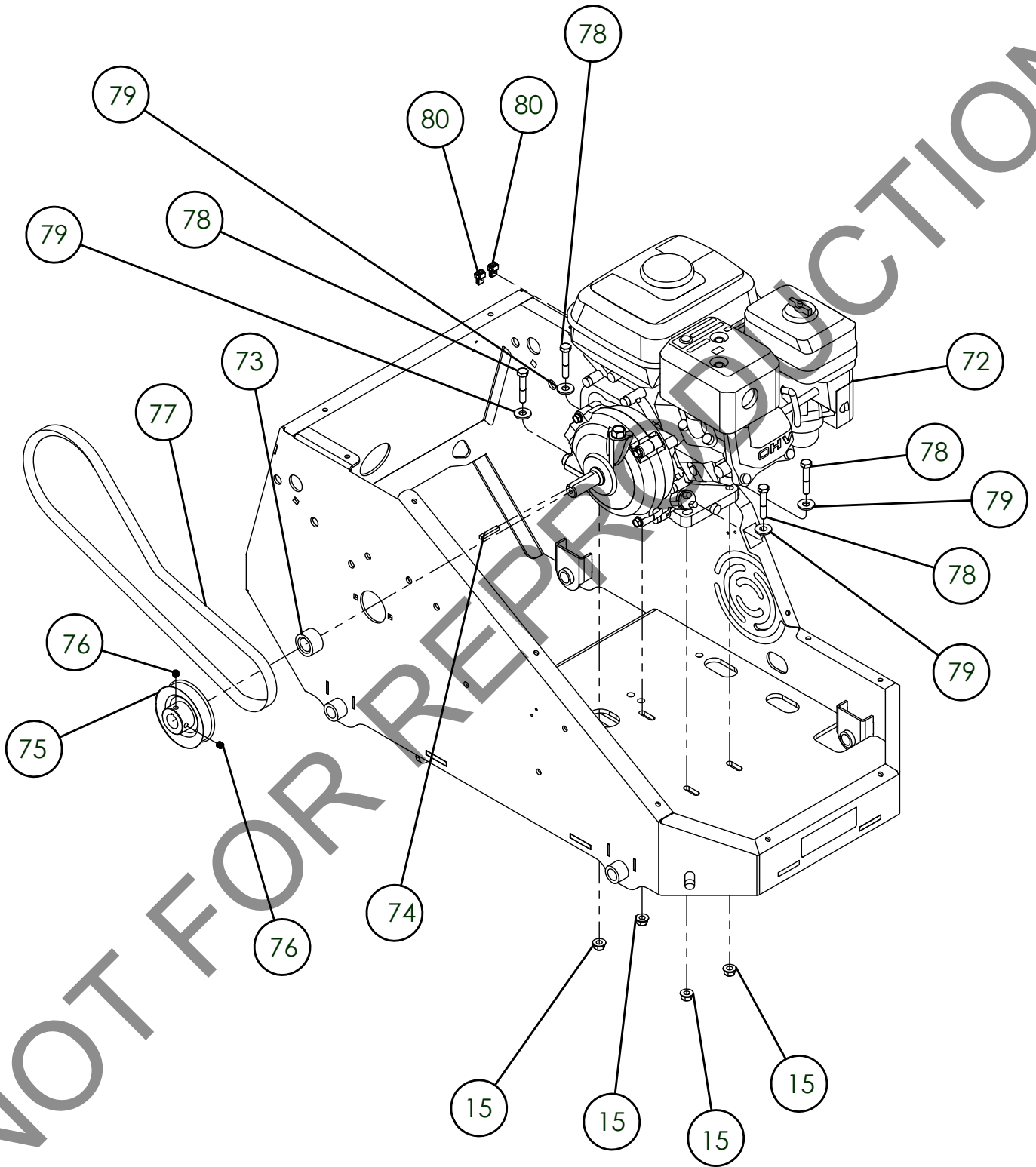
NOT FOR REPRODUCTION



PL1803V Parts Illustrations and Lists

PL1803V

Item No.	Description	Part No.	QTY
14	NUT-HEX-NYLK, FLG .375"-16 ZP	8165003	2
22	PIN, RUE RING 0.250"	371275	1
51	NUT-HEX-NYLK, FLG .250"-20 ZP	8165001	1
56	WA, HANDLE PL1801	382131	1
57	SCREWCAP 3/8"-16 X 2 1/4" HCS ZP GR 5	8041055	2
58	SCREWCAP 1/4"-20 X 1 3/4" HCS ZP	8041009	1
59	LOOP FOLDING HANDLE OS900SP	351231	2
60	PIN CLEVIS 3/8 x 2.125	520120	2
61	PIN, CLEVIS 1/4 X 1-1/8 ZP	381345	1
62	RETAINER 3/8" BOLT PUSH NUT	360279	2
63	QB SWITCH BOX	430141	1
64	WASHER 1/4 SAE 9/32 X 5/8 X 1/16	8172007	1
65	SWITCH LKG RKR B&S #493521	500281	1
66	HANDLE RETRACTOR WA	381201	1
67	BLT-SLDR,SH.313"X.25",.25"-20X.438"G8ZP	381158	2
68	WA, BAIL PL1801	382132	1
69	TINE LIFT CABLE, PL1801	382332	1
70	CABLE CLUTCH 39"	380221	1
71	HARNESS WIRE 60"	360316	1
82	LABEL TINE ENGAGE PL	100356	2

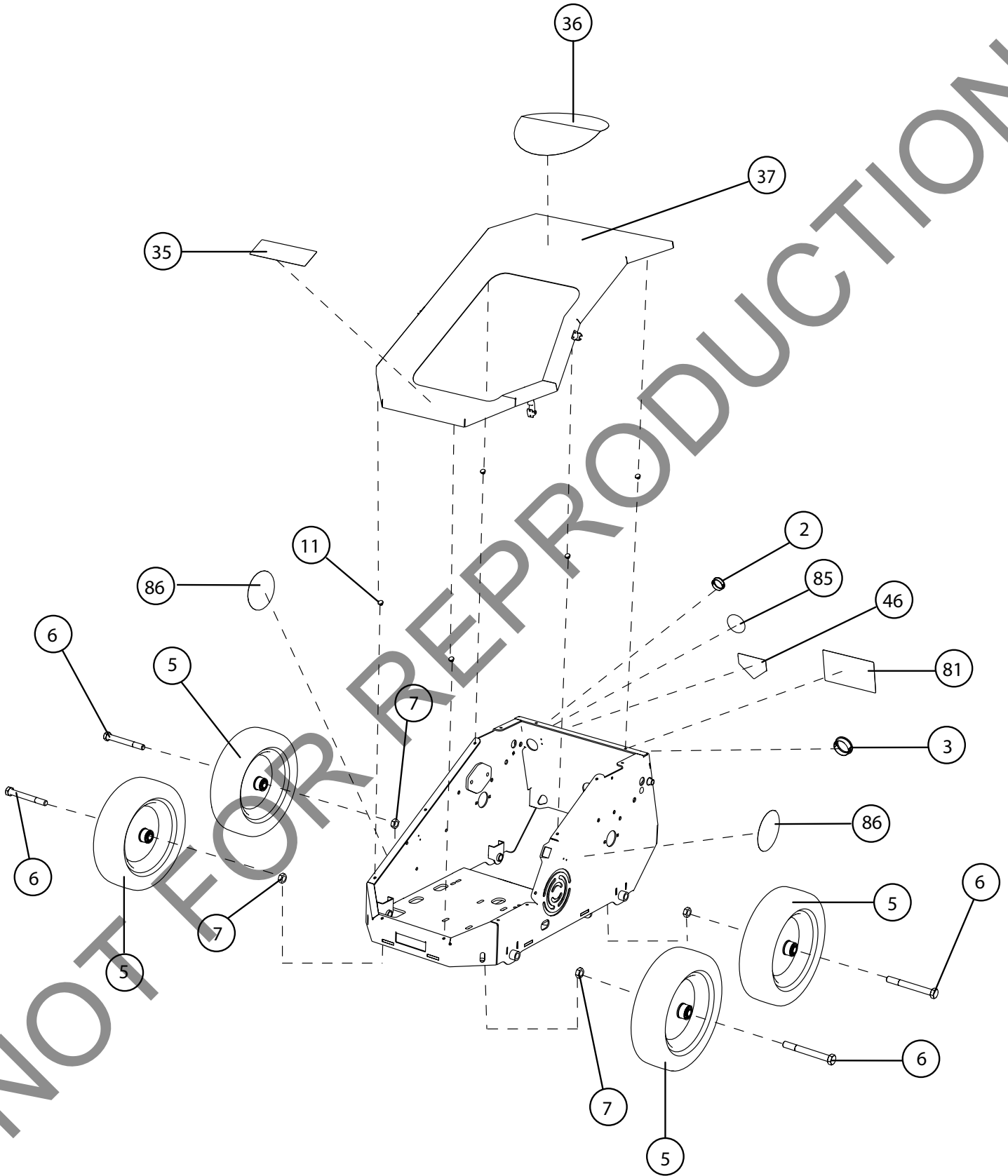


PL1803V Parts Illustrations and Lists

PL1803V

Item No.	Description	Part No.	QTY
15	NUT-HEX-NYLK, FLG .3125"-18 ZP	8165002	15
72	ENGINE, VANGUARD 203CC W/6:1 AT 3	382323	1
73	SPCR; ENG SHAFT VAN PL18	381215	1
74	KEY 3/16" SQ X 1 1/4"	9201080	1
75	PULLEY, 3.50" O.D. x 0.750" I.D. V, A/B	5105968	1
76	SCREW SET 5/16-18 X 5/16"	8084106	2
77	BELT BLADE DRIVE 5L45 (PBL)	520006	1
78	SCREWCAP 5/16"-18 X 1 3/4" GR 5 HCS ZP	8041031	4
79	WASHER 5/16 FLAT ZP	8171003	4
80	TERMINAL 18-14 BLUE T-TAP	840215	2

NOT FOR REPRODUCTION



PL1803V Parts Illustrations and Lists

PL1803V

Item No.	Description	Part No.	QTY
2	BUSHING, SNAP 1.31" ID	382240	1
3	BUSHING, SNAP 1.81" ID	382292	1
5	ASM,WHEEL&TIRE HDPU 12"X3" W/ BRG&SPANNER	382606	4
6	SCR-CAP, HEX .625"-11 X 5.500" G5 ZP	8041153	4
7	NUT JAM, 5/8-11 ZP	8143007	4
11	RUBBER BUMPER, PUSH-IN	380224	14
35	LABEL BADGING PLUGR PL415	100367	1
36	LABEL BADGING 10" LOGO ROUND	100365	1
37	WA, PL18 COVER W/DECALS	382350-S	1
46	LABEL WARNING OPEI	400424	1
81	LABEL AERATING INST PL	100354	1
85	LABEL ROUND CORE T2V 2.5"	380239	1
86	LABEL PRODUCT DECAL SM CIRCLE	890456	2