



Outback Tractor Spare Parts List



Outback Tractor Spare Parts Manual for model:
2692007-00 BCT4323BCE

5110371
Rev. A

Table of Contents

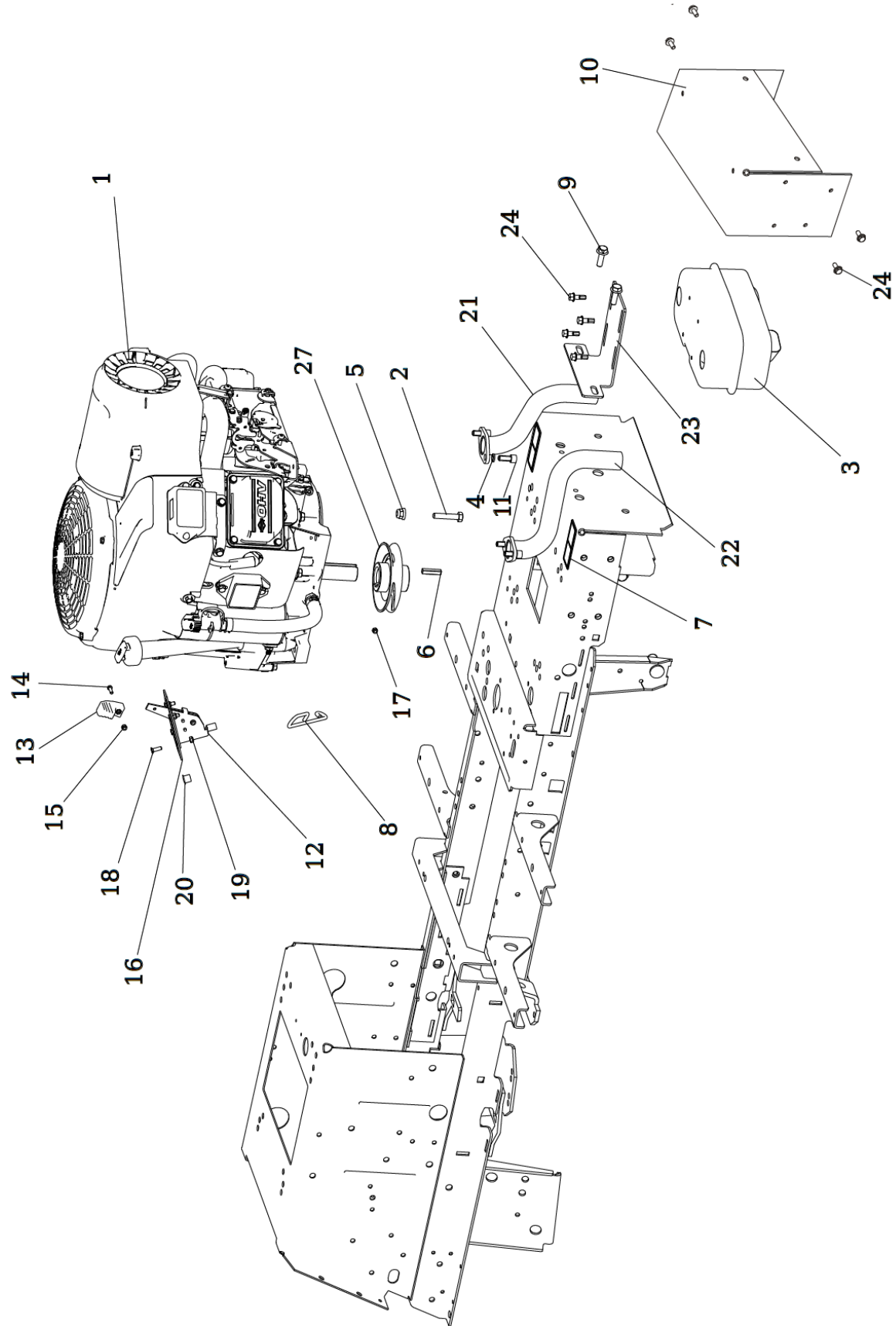
| | |
|---------------------------------------|----|
| Group: Engine | 2 |
| Group: Front axle | 4 |
| Group: Steering | 6 |
| Group: Mowing lifting | 8 |
| Group: Seat, Hood | 10 |
| Group: Electrical installation..... | 12 |
| Group: Tunnel | 17 |
| Group: Drive and brake control | 19 |
| Group: Mowing unit | 23 |
| Group: Engine hood | 27 |
| Group: Elmgm.clutch and pulleys | 29 |
| Group: Moving unit Covers | 31 |
| Group: Fuel tank | 33 |
| Notes | 35 |

Catalogue: BCT4323BCE

Group: Engine

| Pos | Quantity | Item number B&S | Description |
|-----|----------|-----------------|-----------------------------------|
| 1 | 1 | NO SVC. NUM. | Engine B&S 8260CXi |
| 2 | 4 | 80086792 | Screw M 8X40 |
| 3 | 1 | 80094183 | Exhaust Nelson 24500 N-20 V-twin |
| 4 | 4 | 80094184 | Washer 8 |
| 5 | 4 | NO SVC. NUM. | Nut M 8 DIN 6926 8 Zinc |
| 6 | 1 | 80086795 | Key 0-9231-213 |
| 7 | 2 | 80087411 | Label 0-8732-337 |
| 8 | 1 | 80094186 | HOOK 0-9242-240 |
| 9 | 2 | NO SVC. NUM. | Screw M 8x25 DIN 7500 D |
| 10 | 1 | 80094187 | Exhaust cover UJ V2 |
| 11 | 4 | 80094189 | Screw vyf.imbus 5/16x3/4 Unc Zinc |
| 12 | 1 | 80094190 | Throttle lever 9-8071-223 |
| 13 | 1 | 80094191 | Throttle lever 0-8060-244 black |
| 14 | 1 | 80094591 | Screw M 4X14 021131.25 |
| 15 | 1 | NO SVC. NUM. | Nut M4 |
| 16 | 1 | 80094193 | Reinforcement |
| 17 | 1 | 80094194 | Nut W1/4-20 Unc Zinc. |
| 18 | 4 | NO SVC. NUM. | Screw M 5X16 |
| 19 | 4 | NO SVC. NUM. | Nut M5 |
| 20 | 1 | 80086789 | Blind flange BS 11/15 black |
| 21 | 1 | 80094592 | Tube left Intek UJ 4x4 |
| 22 | 1 | 80094196 | Tube right Intek UJ 4x4 |
| 23 | 1 | 80094197 | Exhaust holder UJ 4x4 |
| 24 | 8 | NO SVC. NUM. | SCREW M 6X16 DIN 7500D BN 3326 |
| 25 | 1 | NO SVC. NUM. | Not used in this model |
| 26 | 1 | NO SVC. NUM. | Not used in this model |
| 27 | 1 | 80094198 | Engine pulley 9-3325-206 K664 |

FOR DRAWING SEE NEXT SHEET

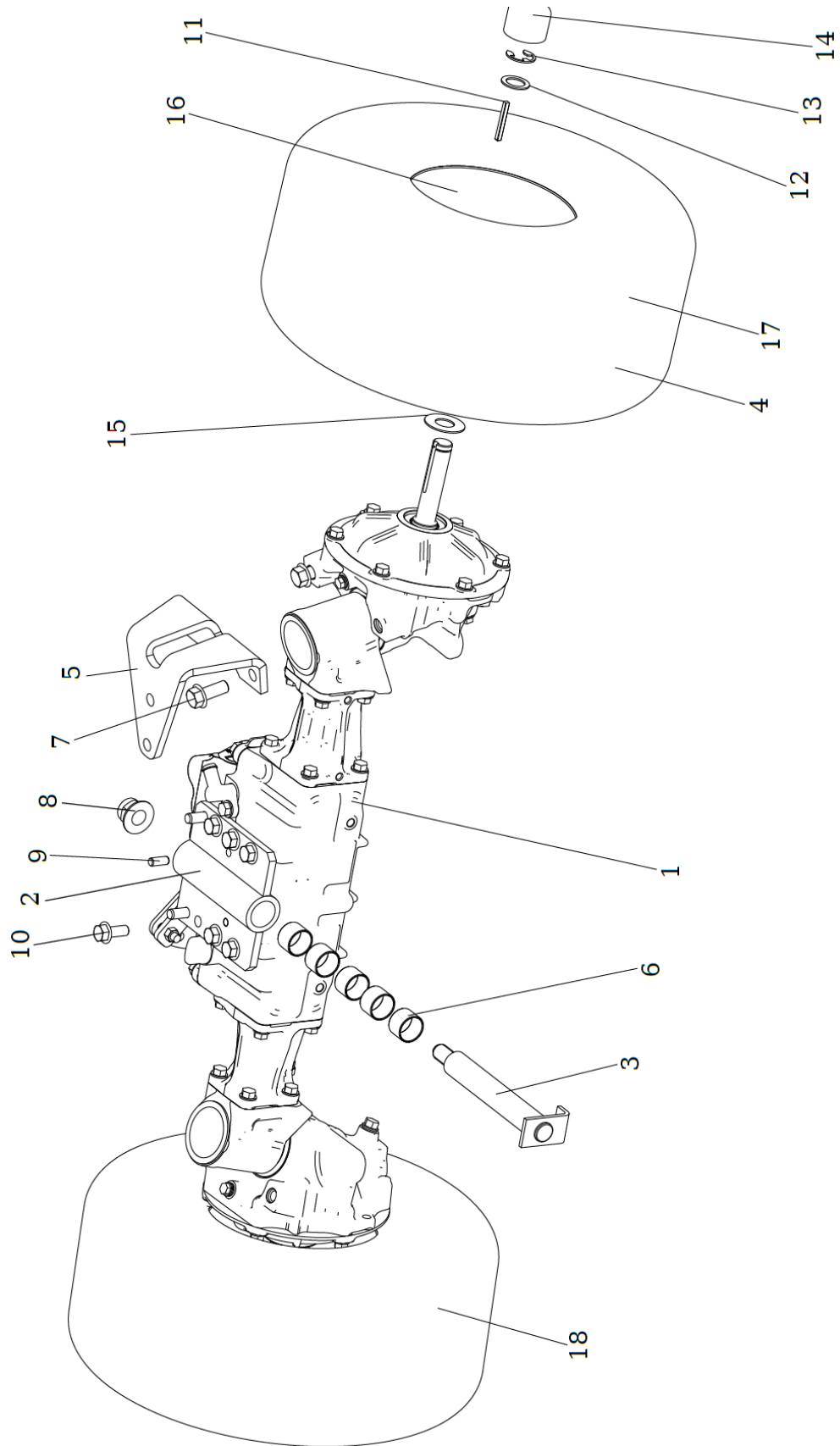


Catalogue: BCT4323BCE

Group: Front axle

| Pos | Quantity | Item number B&S | Description |
|-----|----------|-----------------|-----------------------------------|
| 1 | 1 | 80086806 | Axle front KXH 10N |
| 2 | 1 | 80086808 | Axle holder complete |
| 3 | 1 | 80086807 | Pin complete |
| 4 | 1 | 80086820 | Wheel front L 16x6.50-8 TRAC MAST |
| 5 | 1 | 80094222 | Steering lever UJ 4x4 |
| 6 | 5 | 80086822 | Bearing bushing WSM-2528-25W300 |
| 7 | 2 | 80094223 | Screw M 12x30 KL100 RIPP V.Dacrom |
| 8 | 1 | NO SVC. NUM. | Nut M 16 DIN 6926 |
| 9 | 2 | 80094224 | Pin 8X20 A |
| 10 | 6 | 80087363 | Screw M10X25KL100 Ripp. V. DACROM |
| 11 | 2 | 80086816 | Key 0-9231-223 |
| 12 | 2 | 80086817 | Washer |
| 13 | 2 | 80086818 | Lock ring E-75 3/4 |
| 14 | 2 | 80086819 | Cover 32X25 Vinyl-Flex |
| 15 | 2 | 80094226 | Washer |
| 16 | 2 | 80094228 | Wheel disc 5.50AX8H2 OTRSK21.06 |
| 17 | 2 | 80086823 | Tyre 16X6.50-8 CROSS 4X4 |
| 18 | 1 | 80086821 | Wheel front R 16x6.50-8 TRAC MAST |

FOR DRAWING SEE NEXT SHEET

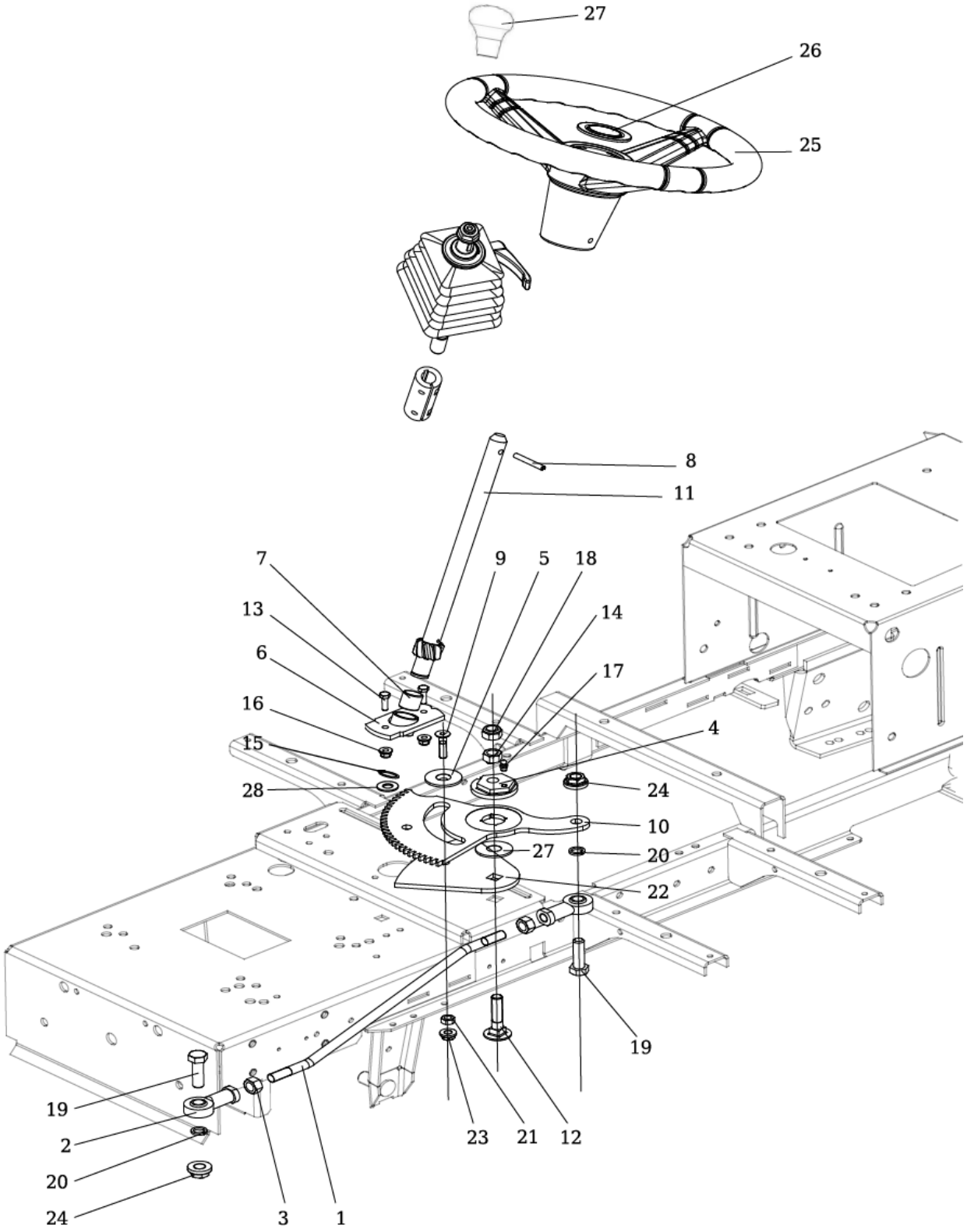


Catalogue: BCT4323BCE

Group: Steering

| Pos | Quantity | Item number B&S | Description |
|-----|----------|-----------------|-----------------------------------|
| 1 | 1 | 80094235 | Steering connecting rod |
| 2 | 2 | 80094237 | Joint head PHS 12 CN |
| 3 | 2 | NO SVC. NUM. | Nut M 12 |
| 4 | 1 | 80094238 | Eccentric |
| 5 | 1 | 80094240 | Spacer |
| 6 | 1 | 80094241 | Bearing |
| 7 | 1 | 80094242 | Bushing 1920 KU |
| 8 | 1 | 80094366 | Spring pin 6x45 |
| 9 | 1 | NO SVC. NUM. | Screw M 8x35 DIN 7991 10.9 Zinc |
| 10 | 1 | 80094243 | Toothed Segment |
| 11 | 1 | 80094244 | Pinion compl. /tilting |
| 12 | 1 | 80094245 | Screw M 12X55.8.8 A3L ISO 8677 |
| 13 | 2 | NO SVC. NUM. | Screw M 6X20 |
| 14 | 1 | 80094042 | Nut M 12 |
| 15 | 1 | 80094246 | Lock ring 19 |
| 16 | 2 | NO SVC. NUM. | Nut M 6 DIN 6926 |
| 17 | 1 | 80094247 | Lubricating head MK 6x1 |
| 18 | 1 | NO SVC. NUM. | Nut M 12 |
| 19 | 2 | NO SVC. NUM. | Screw M12X40 |
| 20 | 2 | 80094248 | Washer 12 |
| 21 | 1 | NO SVC. NUM. | Nut M 8 |
| 22 | 1 | 80094255 | WASHER |
| 23 | 1 | NO SVC. NUM. | Nut M8 DIN 6923 8 Zinc. toothed |
| 24 | 2 | NO SVC. NUM. | Nut M 12 DIN 6923 8 Zinc. toothed |
| 25 | 1 | 80086841 | Cover COBO 0047 |
| 26 | 1 | 80086842 | Steering wheel Cobo PP031 |
| 27 | 1 | 80094256 | Control knob Cobo PP031 |
| 28 | 1 | 80094257 | Washer |

FOR DRAWING SEE NEXT SHEET

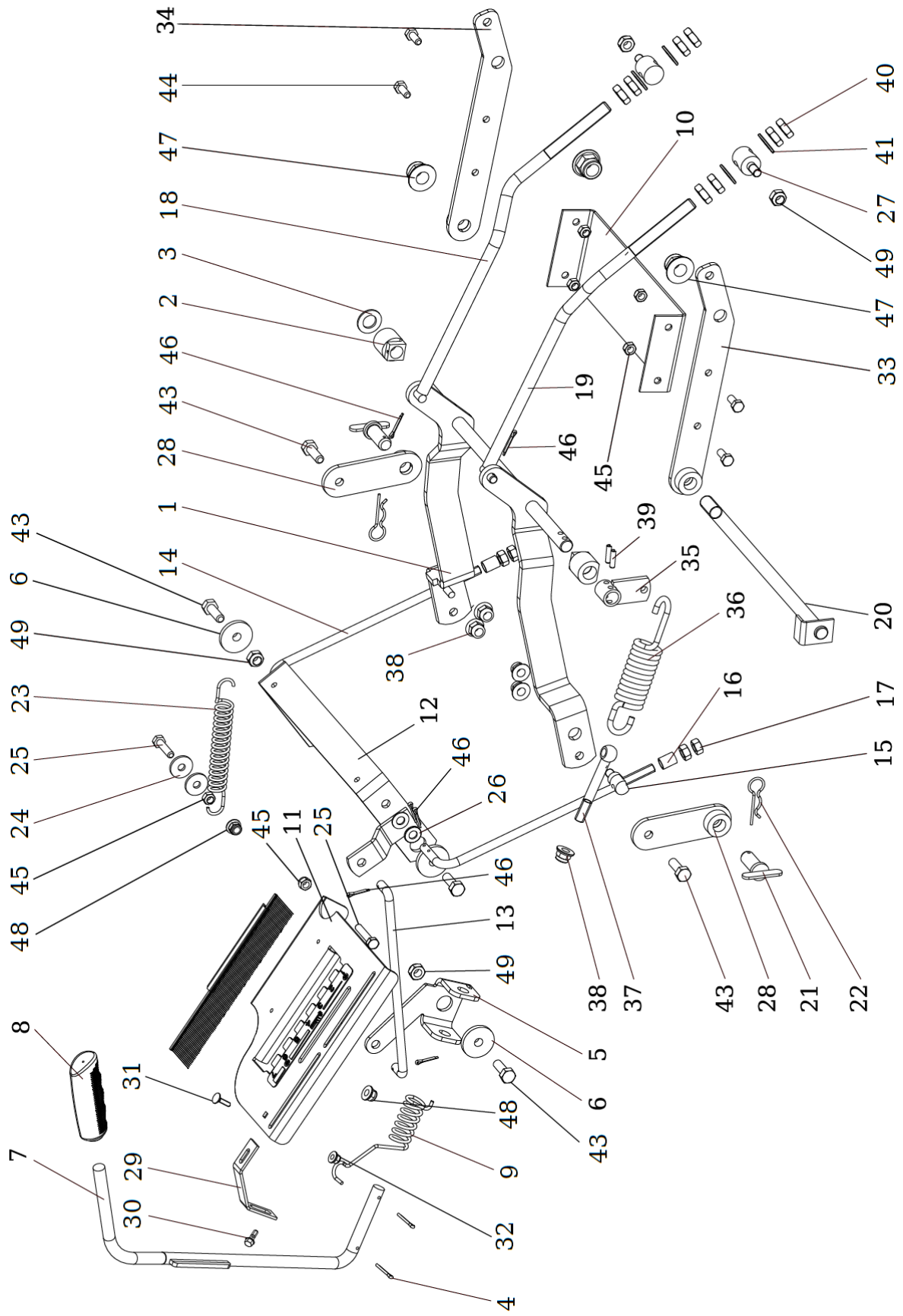


Catalogue: BCT4323BCE

Group: Mowing lifting

| Pos | Quantity | Item number B&S | Description |
|-----|----------|-----------------|--------------------------------|
| 1 | 1 | 80094258 | Lifting arms UJ |
| 2 | 2 | 80094597 | Case 0-9462-203 |
| 3 | 1 | 80094456 | Washer 17 |
| 4 | 2 | 80094427 | Spindle 3.2x25 |
| 5 | 1 | 80094259 | Lever holder |
| 6 | 3 | 80094260 | WASHER |
| 7 | 1 | 80094262 | Lifting lever |
| 8 | 1 | 80094263 | Handrail 0-8832-202 |
| 9 | 1 | 80094264 | Spring 0-9746-504 lifting |
| 10 | 1 | 80094265 | Holder |
| 11 | 1 | 80094267 | Lifting segment |
| 12 | 1 | 80094270 | Lifting holder |
| 13 | 1 | 80094271 | Lifting rod 0-8041-201 UJ |
| 14 | 2 | 80094272 | Lifting rod 0-8041-346 |
| 15 | 2 | 80094273 | Pin |
| 16 | 2 | 80094274 | Spacer |
| 17 | 4 | NO SVC. NUM. | Nut M 10 |
| 18 | 1 | 80094276 | Lifting tie-rod L |
| 19 | 1 | 80094278 | Lifting tie-rod R |
| 20 | 1 | 80094280 | Lifting shaft UJ |
| 21 | 2 | 80094282 | Pin complete |
| 22 | 2 | 80094284 | Flexible spindle 0-9245-999 |
| 23 | 1 | 80094065 | Spring 0-9746-460 |
| 24 | 2 | 80094505 | Washer 9 Zinc |
| 25 | 3 | NO SVC. NUM. | Screw M 8X35 |
| 26 | 4 | 80094541 | Washer 10.5 |
| 27 | 2 | 80094286 | Screw |
| 28 | 2 | 80094288 | Lifting arm |
| 29 | 1 | 80094290 | Lifting segment brace |
| 30 | 1 | 80094457 | Screw M 8X25 DIN 6921 8.8 Zinc |
| 31 | 1 | NO SVC. NUM. | Screw M6X16 |
| 32 | 1 | NO SVC. NUM. | Nut M 6 DIN 6926 |
| 33 | 1 | 80094296 | Lifting arm R |
| 34 | 1 | 80094297 | Lifting arm L |
| 35 | 1 | 80094298 | Lifting arm spring |
| 36 | 1 | 80094299 | Spring 0-9746-507 Lifting |
| 37 | 1 | 80094300 | Screw M 10x90 DIN 444-4.6 |
| 38 | 5 | NO SVC. NUM. | Nut M 10 DIN 6926 Zinc |
| 39 | 3 | 80094301 | Spring pin 6x26 ISO 8748 |
| 40 | 8 | 80086812 | Nut M 14 |
| 41 | 4 | 80094302 | Washer 15 |
| 42 | 1 | NO SVC. NUM. | Not used in this model |
| 43 | 5 | 80086799 | Screw M 10X30 |
| 44 | 4 | NO SVC. NUM. | Screw M8X20 |
| 45 | 7 | NO SVC. NUM. | Nut M 8 |
| 46 | 6 | 80094428 | Spindle 3.2x20 |
| 47 | 3 | NO SVC. NUM. | Nut M 16 DIN 6926 |
| 48 | 1 | NO SVC. NUM. | Nut M 8 DIN 6926 8 Zinc |
| 49 | 5 | NO SVC. NUM. | Nut M 10 |

FOR DRAWING SEE NEXT SHEET

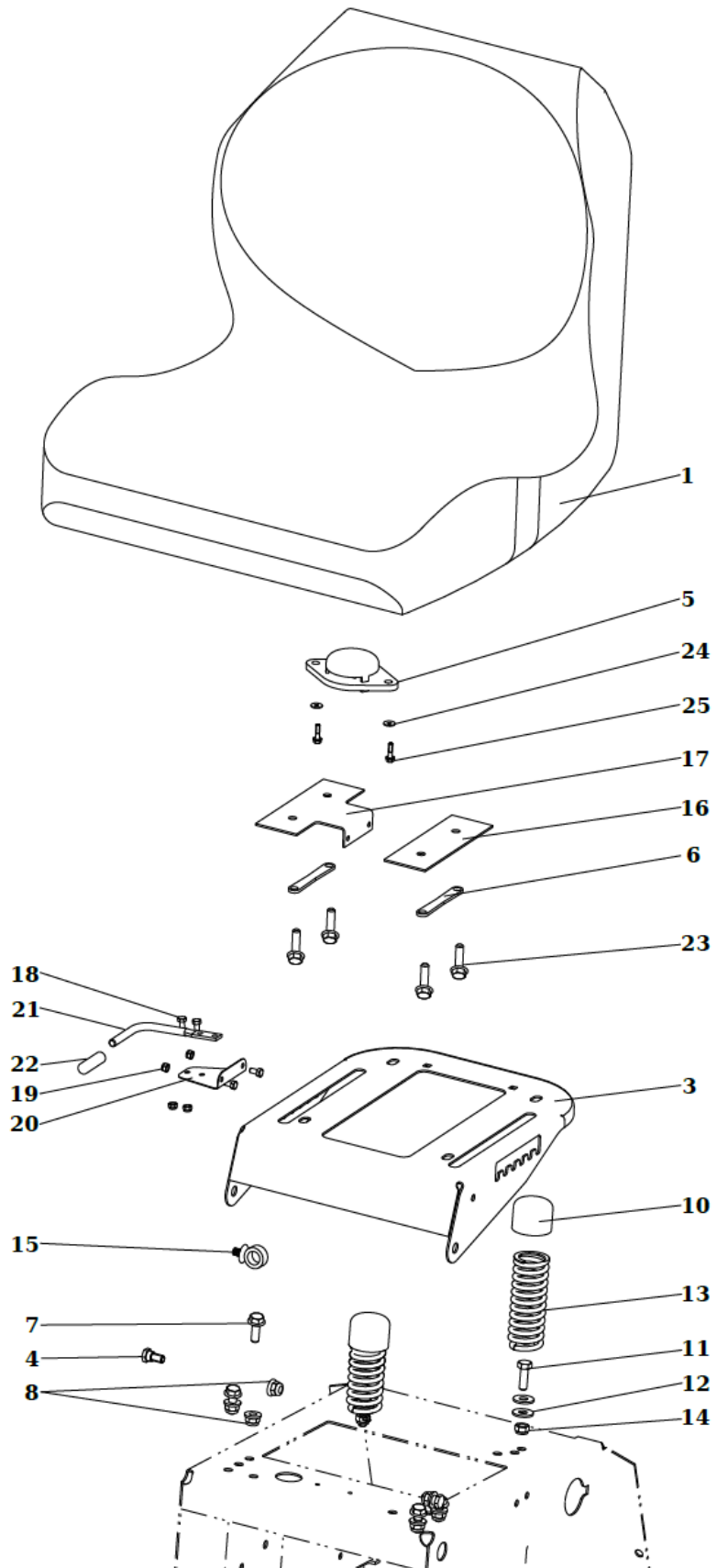


Catalogue: BCT4323BCE

Group: Seat, Hood

| Pos | Quantity | Item number B&S | Description |
|-----|----------|-----------------|--------------------------------|
| 1 | 1 | 80094303 | Seat COBO PS 48 E 8098.017 |
| 2 | 1 | NO SVC. NUM. | Not used in this model |
| 3 | 1 | 80094304 | Seat carrier |
| 4 | 2 | 80094364 | Carrier screw 0-9016-427 |
| 5 | 1 | 80094318 | Microswitch 6520 Delta |
| 6 | 2 | 80094305 | Distance washer |
| 7 | 4 | 80094457 | Screw M 8X25 DIN 6921 8.8 Zinc |
| 8 | 6 | NO SVC. NUM. | Nut M 8 DIN 6926 8 Zinc |
| 9 | 1 | NO SVC. NUM. | Not used in this model |
| 10 | 2 | 80087306 | Cover 38/A PVC Black |
| 11 | 2 | 80094476 | Screw M 8X25 |
| 12 | 4 | 80094505 | Washer 9 Zinc |
| 13 | 2 | 80094306 | Spring 0-9746-441 |
| 14 | 2 | NO SVC. NUM. | Nut M 8 |
| 15 | 1 | 80087354 | Clip WSBH 1-0-1 |
| 16 | 1 | 80094307 | Seat holder |
| 17 | 1 | 80094308 | Seat holder |
| 18 | 4 | NO SVC. NUM. | Screw M 5x10 |
| 19 | 4 | NO SVC. NUM. | Nut M5 |
| 20 | 1 | 80094309 | Seat spring |
| 21 | 1 | 80094310 | Seat tie rod 0-8043-310 |
| 22 | 1 | 80094311 | Cover 8X40 Vinyl-Flex black |
| 23 | 4 | NO SVC. NUM. | Screw M 8x25 DIN 7500 D |
| 24 | 2 | 80094312 | Washer 4.3 |
| 25 | 2 | 80094313 | Screw ST 4.2x16 BN 1880 |

FOR DRAWING SEE NEXT SHEET

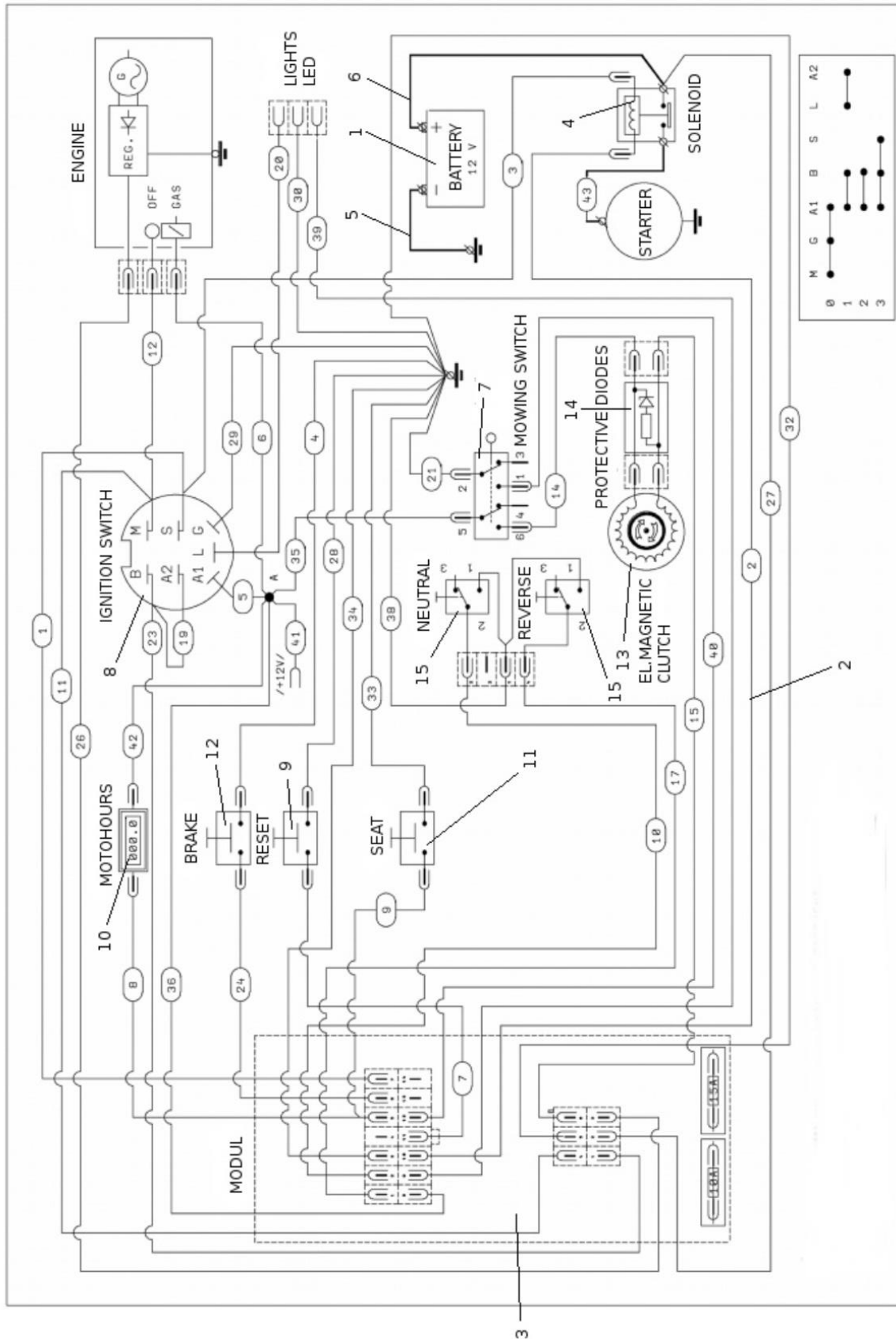


Catalogue: BCT4323BCE

Group: Electrical installation

| Pos | Quantity | Item number B&S | Description |
|-----|----------|-----------------|-----------------------------------|
| 1 | 1 | 80094314 | Battery 12V-32Ah ETECH F-ET-U1-R3 |
| 2 | 1 | 80094315 | Wiring harness KS 004084 |
| 3 | 1 | 80094331 | Module KS 004062 AJ06/14 |
| 4 | 1 | 80094333 | Solenoid Trombetta 764-1221-210 |
| 5 | 1 | 80094316 | Cable 9-8316-570 |
| 6 | 1 | 80094317 | Cable 9-8316-624 solenoid+battery |
| 7 | 1 | 80087347 | Switch VDD2S001 9ZZCR 100 |
| 8 | 1 | 80087350 | Switch box Delta 6900-47 P |
| 9 | 1 | 80087352 | Switch 1932.3413 |
| 10 | 1 | 80087346 | Hour-meter SEN DEC DIGITAL |
| 11 | 1 | 80094318 | Microswitch 6520 Delta |
| 12 | 1 | 80094438 | Seat switch Delta 6440-04 |
| 13 | 1 | 80094539 | Elmag. clutch I-5217-38 |
| 14 | 1 | 80087396 | Protective diodes harness 9-8316- |
| 15 | 2 | 80087338 | Microswitch MKH 12 D 13-S1 |

FOR DRAWING SEE NEXT SHEET



Catalogue: BCT4323BCE

Group: Dashboard

| Pos | Quantity | Item number B&S | Description |
|-----|----------|-----------------|-----------------------------------|
| 1 | 1 | 80094328 | PANEL 9-8048-216 TEL/TUZ PRO VLOŽ |
| 2 | 1 | 80094329 | Battery cover 0-8547-205 |
| 3 | 1 | 80094330 | Footboard 0-1847-218 2020/UJ |
| 4 | 4 | NO SVC. NUM. | Screw M 8X30 DIN 6921 8.8 Zinc |
| 5 | 1 | 80094331 | Module KS 004062 AJ06/14 |
| 6 | 1 | 80094333 | Solenoid Trombetta 764-1221-210 |
| 7 | 1 | 80087410 | Label 0-8732-336 |
| 8 | 1 | 80094336 | Label. 0-8732-864 |
| 9 | 2 | NO SVC. NUM. | Screw M 6X20 |
| 10 | 2 | 80094450 | Washer 6.4 |
| 11 | 2 | NO SVC. NUM. | Nut M 6 |
| 12 | 2 | 80087353 | Cover 273 125 020 050 |
| 13 | 9 | 80087354 | Clip WSBH 1-0-1 |
| 14 | 1 | NO SVC. NUM. | Screw M 5X16 |
| 15 | 1 | NO SVC. NUM. | Nut M 5 DIN 6926 Zinc |
| 16 | 2 | NO SVC. NUM. | Nut M 6 DIN 6926 |
| 17 | 2 | NO SVC. NUM. | Screw M6X16 |
| 18 | 2 | 80094337 | Backstop rubber 15509-8 |
| 19 | 1 | 80094339 | Panel cover 0-8048-349 |
| 20 | 1 | 80094340 | Brush cover 9-9636-205 |
| 21 | 2 | 80094341 | Rivet slide-in PH4 D 6.5 |
| 22 | 1 | 80094342 | Case 0-8642-236 |
| 23 | 1 | 80087347 | Switch VDD2S001 9ZZCR 100 |
| 24 | 1 | 80087350 | Switch box Delta 6900-47 P |
| 25 | 1 | 80087351 | Starting key DELTA 688P-001 |
| 26 | 1 | 80094343 | Blind flange VL 35X25X1-3 black |
| 27 | 1 | 80087346 | Hour-meter SEN DEC DIGITAL |
| 28 | 1 | 80094344 | Steering column |
| 29 | 4 | NO SVC. NUM. | Screw M 8X16 |
| 30 | 1 | NO SVC. NUM. | Not used in this model |
| 31 | 1 | 80094345 | Panel |
| 32 | 1 | NO SVC. NUM. | Not used in this model |
| 33 | 1 | 80094346 | Light indicator KS004074 |
| 34 | 1 | 80094347 | Footstool 0-1832-244 left |
| 35 | 1 | 80094348 | Footstool 0-1832-245 right |
| 36 | 1 | 80087352 | Switch 1932.3413 |
| 37 | 2 | 80094349 | BATTERY HOLDER |
| 38 | 1 | NO SVC. NUM. | Screw M8x45 |
| 39 | 2 | 80094350 | Blind flange G 20X15 (europlast) |
| 40 | 1 | 80094351 | Panel holder |
| 41 | 2 | 80094352 | Screw ST 6.3x19 DIN7504-K BN1880 |
| 42 | 2 | 80094488 | Washer 5.3 |
| 43 | 1 | 80094353 | Steering column |
| 44 | 4 | NO SVC. NUM. | Screw M8x20 DIN 7500D BN 3326 |
| 45 | 1 | 80094354 | Column holder |
| 46 | 1 | NO SVC. NUM. | Not used in this model |
| 47 | 3 | 80087363 | Screw M10X25KL100 Ripp. V. DACROM |
| 48 | 1 | 80094355 | Steering shaft clutch |

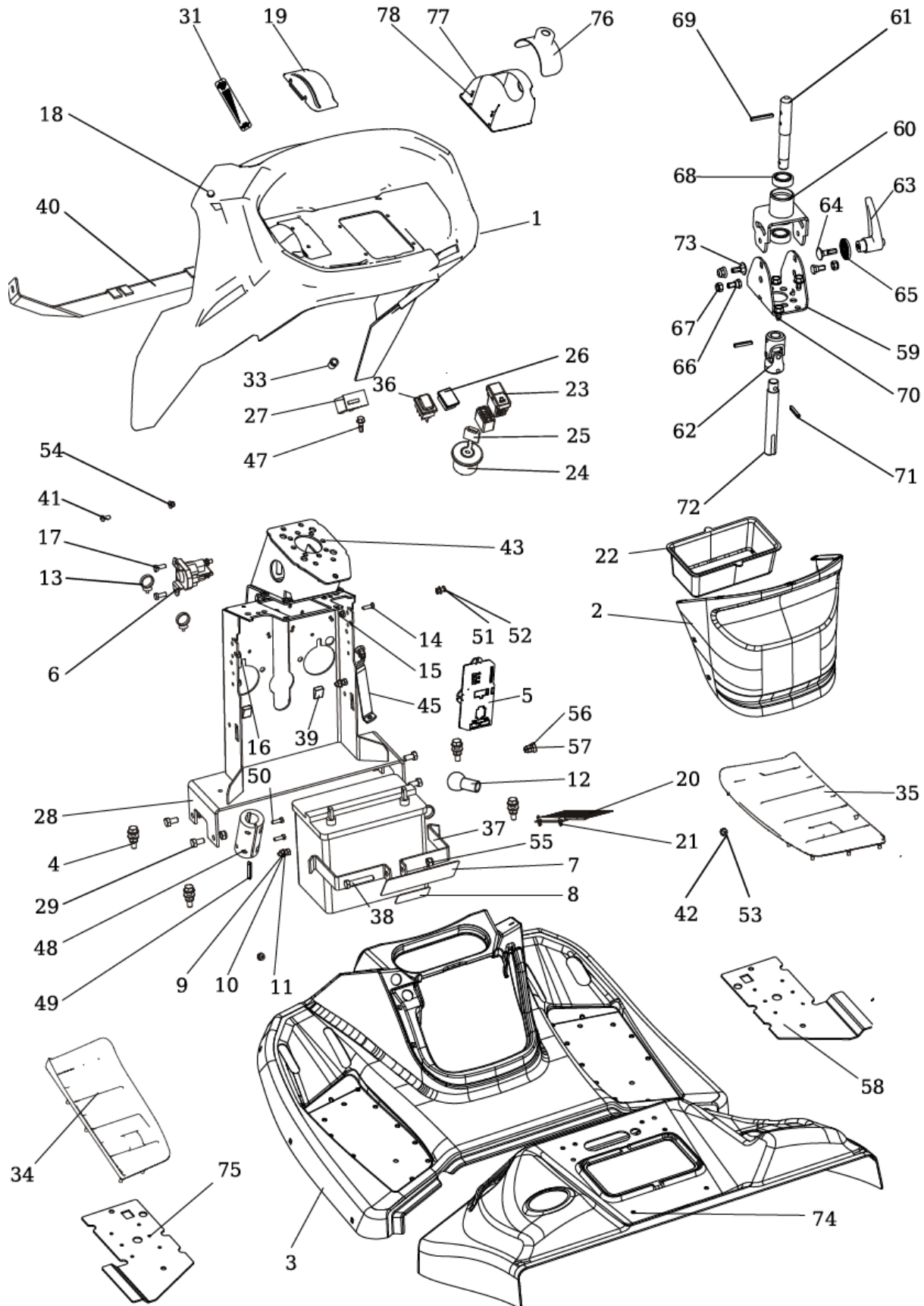
LIST CONTINUES ON NEXT PAGE

Catalogue: BCT4323BCE

Group: Dashboard

| Pos | Quantity | Item number B&S | Description |
|-----|----------|-----------------|------------------------------------|
| 49 | 1 | 80094356 | Spring 6E7X6X25 |
| 50 | 2 | NO SVC. NUM. | Screw M 6x20 ISO 7380 10.9 Zinc |
| 51 | 1 | NO SVC. NUM. | Screw M 8x20 ISO 7380 10.9 Zinc |
| 52 | 5 | NO SVC. NUM. | Nut M 8 |
| 53 | 4 | NO SVC. NUM. | Screw M 5x16 ISO 7380 8.8 |
| 54 | 4 | NO SVC. NUM. | Nut M 5 DIN 6926 Zinc |
| 55 | 4 | NO SVC. NUM. | Nut M 8 DIN 6926 8 Zinc |
| 56 | 8 | 80087223 | Seating D7-201-802-010 |
| 57 | 8 | 80087224 | Pin D7-201-711-010 |
| 58 | 1 | 80094357 | Footboard reinforcement R |
| 59 | 1 | 80094358 | Joint holder |
| 60 | 1 | 80094359 | Joint hub |
| 61 | 1 | 80094360 | Steering wheel |
| 62 | 1 | 80094361 | Zink cross joint |
| 63 | 1 | 80094362 | Tightening lever M8x80 Female |
| 64 | 1 | NO SVC. NUM. | Screw M8x25 Zinc |
| 65 | 1 | 80094363 | Spiral washer |
| 66 | 2 | 80094364 | Carrier screw 0-9016-427 |
| 67 | 3 | NO SVC. NUM. | Nut M 8 |
| 68 | 2 | 80094365 | Bearing 6003 2RS |
| 69 | 1 | 80094366 | Spring pin 6x45 |
| 70 | 4 | NO SVC. NUM. | Screw M 8x16 DIN 7500 D BN3326 |
| 71 | 2 | 80094367 | Spring pin 6x32 |
| 72 | 1 | 80094368 | Slaot tilting shaft |
| 73 | 1 | NO SVC. NUM. | Screw M 8X20 Zinc |
| 74 | 1 | 80094369 | Double fender 9-1847-349 Tel/Mulch |
| 75 | 1 | 80094370 | Footboard reinforcement L |
| 76 | 1 | 80094371 | Steering wheel cover 0-8540-212 |
| 77 | 1 | 80094372 | Tilt cover column 0-8540-213 |
| 78 | 1 | 80094373 | Rivit with screw 5mm |

FOR DRAWING SEE NEXT SHEET

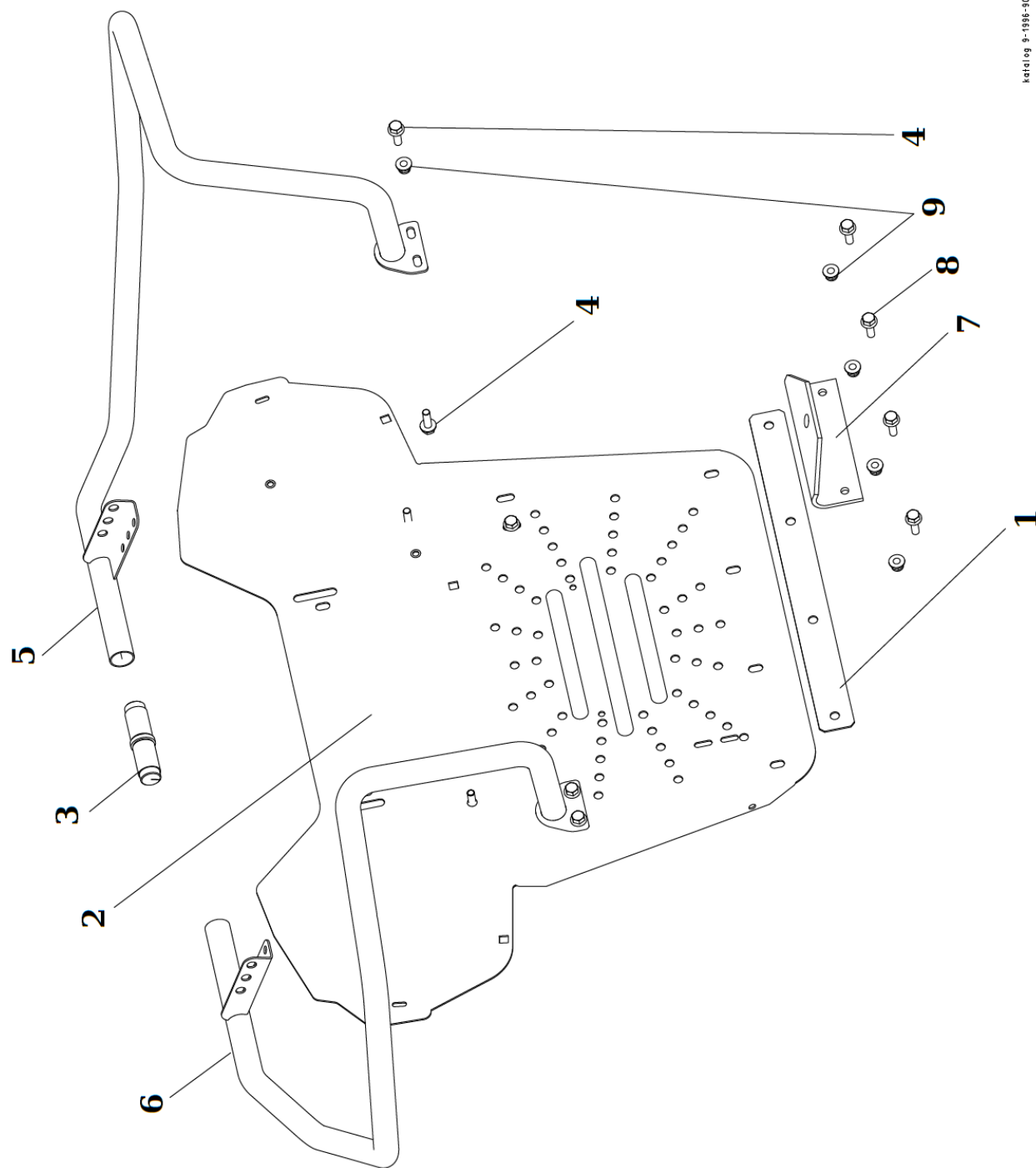


Catalogue: BCT4323BCE

Group: Tunnel

| Pos | Quantity | Item number B&S | Description |
|------------|-----------------|----------------------------|---------------------------------|
| 1 | 1 | 80094374 | Reinforcement |
| 2 | 1 | 80094375 | Board rear TEL.2020 mulcher |
| 3 | 1 | 80094376 | Circular profile coupling |
| 4 | 6 | 80094377 | Screw M8x25 DIN 6921 with teeth |
| 5 | 1 | 80094381 | Left protective frame |
| 6 | 1 | 80094382 | Right protective frame |
| 7 | 1 | 80094383 | Tow hitch |
| 8 | 4 | 80094457 | Screw M 8X25 DIN 6921 8.8 Zinc |
| 9 | 8 | NO SVC. NUM. | Nut M 8 DIN 6926 8 Zinc |

FOR DRAWING SEE NEXT SHEET



Catalogue: BCT4323BCE

Group: Drive and brake control

| Pos | Quantity | Item number B&S | Description |
|-----|----------|-----------------|-----------------------------------|
| 1 | 5 | 80094597 | Case 0-9462-203 |
| 2 | 1 | 80094598 | Latch |
| 3 | 1 | 80094599 | Switch holder |
| 4 | 1 | 80094600 | Travel lever UJ |
| 5 | 1 | 80094601 | Brake rod 0-8041-202 K62 |
| 6 | 1 | 80094602 | Spring TLZ 250.150.0530 Zinc |
| 7 | 1 | 80094413 | Arm complete |
| 8 | 1 | 80094415 | Travel lever |
| 9 | 1 | NO SVC. NUM. | Nut M 10 |
| 10 | 1 | 80087249 | Ball bushing 16DIN71805B ZnBN489 |
| 11 | 2 | 80094417 | Foot pedal plastic 0-8051-202 |
| 12 | 2 | 80087273 | Pedal cover 0-8832-234 |
| 13 | 1 | NO SVC. NUM. | Not used in this model |
| 14 | 1 | 80086833 | Transmission K664 E Tuff Torq |
| 15 | 1 | 80094420 | Screw |
| 16 | 1 | 80094421 | Plate holder left |
| 17 | 1 | 80094422 | Plate holder right |
| 18 | 1 | 80094423 | Gear-box holder K46/K62 UJ |
| 19 | 1 | 80094424 | Bypass rod 0-8041-204 |
| 20 | 1 | 80094425 | Bypass holder K62 |
| 21 | 1 | 80094426 | Safety pin holder |
| 22 | 5 | 80094427 | Spindle 3.2x25 |
| 23 | 1 | 80094428 | Spindle 3.2x20 |
| 24 | 1 | NO SVC. NUM. | Nut M 10 DIN 6926 Zinc |
| 25 | 1 | 80094429 | Rubber sleeve 9x2 |
| 26 | 1 | 80094604 | Ratchet rod 0-8042-273 |
| 27 | 4 | NO SVC. NUM. | Screw M 8X85 |
| 28 | 5 | 80094513 | Washer 8.4 |
| 29 | 1 | 80094541 | Washer 10.5 |
| 30 | 1 | NO SVC. NUM. | Nut M 8 |
| 31 | 1 | 80094513 | Washer 8.4 |
| 32 | 1 | 80094435 | Cruise control foot |
| 33 | 2 | NO SVC. NUM. | Nut M 8 |
| 34 | 1 | 80094405 | Reverse pedal UJ |
| 35 | 2 | 80086979 | Bushing 1625 KU |
| 36 | 4 | 80094436 | Ring 16 |
| 37 | 1 | 80087296 | LEVER - COMPLETE |
| 38 | 1 | 80094437 | Spring pin 6X40 |
| 39 | 1 | 80094438 | Seat switch Delta 6440-04 |
| 40 | 1 | 80094439 | Brake foot complete |
| 41 | 1 | 80094440 | Ratchet rod 0-8042-274 |
| 42 | 1 | 80094441 | Cruise control latch |
| 43 | 1 | 80094442 | Rod of Cruise-control resetting |
| 44 | 1 | 80094443 | Cruise control ratchet |
| 45 | 1 | 80094444 | Brake pedal UJ |
| 46 | 1 | 80094445 | Zinc Angle Joint 16Din |
| 47 | 1 | NO SVC. NUM. | Nut M 10 DIN 6923 8 Zinc. toothed |
| 48 | 1 | 80087269 | SAFETY U - STRAP 16 DIN 71805 S Z |

LIST CONTINUES ON NEXT PAGE

Catalogue: BCT4323BCE

Drive and brake control

| Pos | Quantity | Item number B&S | Description |
|-----|----------|-----------------|---------------------------------|
| 49 | 2 | 80086827 | Washer |
| 50 | 10 | 80086831 | Washer |
| 51 | 2 | NO SVC. NUM. | Nut M 10 |
| 52 | 1 | 80094446 | Cruise control lever 0-8066-203 |
| 53 | 1 | 80094447 | Parking lever 0-8066-202 |
| 54 | 1 | 80094606 | Lever holder 0-8066-204 |
| 55 | 1 | 80094607 | Ratchet rod 0-80-42-275 |
| 56 | 1 | 80094450 | Washer 6.4 |
| 57 | 2 | NO SVC. NUM. | Screw M 5x25 DIN7991 10.9 Zinc |
| 58 | 2 | NO SVC. NUM. | Screw M 5x12 DIN 7500D BN3326 |
| 59 | 1 | 80094451 | Reset spring |
| 60 | 1 | 80087354 | Clip WSBH 1-0-1 |
| 61 | 2 | NO SVC. NUM. | Nut M 6 |
| 62 | 1 | 80094452 | Spring 0-9746-445 |
| 63 | 3 | 80094454 | Spring pin 5x22 ISO 8748 |
| 64 | 2 | 80086830 | Lock ring SE-98 1 |
| 65 | 2 | 80086832 | Cap 0-8025-201 49x25 |
| 66 | 2 | 80086826 | Key 0-9231-224 |
| 67 | 2 | 80094456 | Washer 17 |
| 68 | 1 | NO SVC. NUM. | Bolt M5x35 |
| 69 | 1 | 80094457 | Screw M 8X25 DIN 6921 8.8 Zinc |
| 70 | 1 | 80094458 | Ratchet holder |
| 71 | 1 | 80094459 | Screw 0-8011-246 K62 |
| 72 | 1 | 80094461 | Label 0-8732-311 |
| 73 | 2 | NO SVC. NUM. | Nut M 5 DIN 6926 Zinc |
| 74 | 1 | 80094466 | Label 0-8732-208 Travel |
| 75 | 1 | 80087414 | Label 1-8732-363 Brake |
| 76 | 2 | 80094468 | Washer 16X22X1 DIN 988 L 07 |
| 77 | 1 | 80094469 | Travel damper K22 621 100 006 |
| 78 | 1 | 80094471 | Fan P/N 5069481-01 |
| 79 | 1 | 80094472 | Travel pulley |
| 80 | 1 | 80094474 | Washer 11 |
| 81 | 1 | 80087293 | Foot complete |
| 82 | 1 | 80094476 | Screw M 8X25 |
| 83 | 1 | 80094477 | Diff-lock pedal UJ |
| 84 | 1 | 80094478 | Cable connection diff-lock |
| 85 | 1 | 80087294 | Spring 0-9746-493 Diff.lock |
| 86 | 1 | 80094479 | Holder |
| 87 | 2 | NO SVC. NUM. | Screw M8X30 DIN 7500D BN 3326 |
| 88 | 1 | 80094480 | Diff-lock & cable holder UJ |
| 89 | 1 | NO SVC. NUM. | Screw M 6X25 |
| 90 | 1 | 80094481 | Label 1-8732-401 diff-lock UJ |
| 91 | 1 | 80094483 | Switch holder UJ |
| 92 | 1 | 80094484 | Neutral-switch cover |
| 93 | 1 | NO SVC. NUM. | Screw M 4X8 D 7500 D |
| 94 | 2 | 80087338 | Microswitch MKH 12 D 13-S1 |
| 95 | 4 | NO SVC. NUM. | Screw M 6x10 DIN 7500 D |
| 96 | 7 | NO SVC. NUM. | Nut M 8 DIN 6926 8 Zinc |

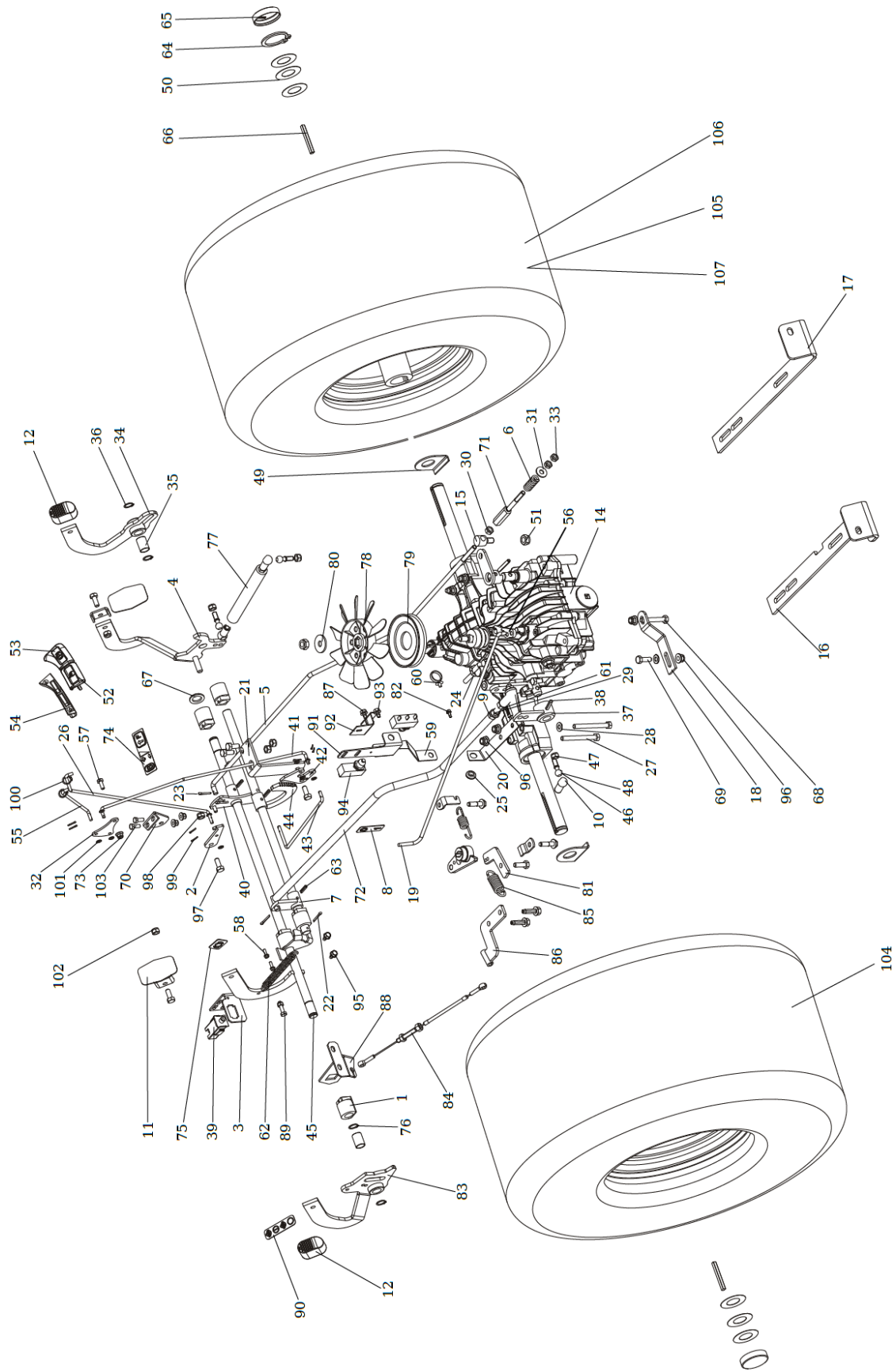
LIST CONTINUES ON NEXT PAGE

Catalogue: BCT4323BCE

Group: Drive and brake control

| Pos | Quantity | Item number B&S | Description |
|------------|-----------------|----------------------------|-----------------------------------|
| 97 | 6 | NO SVC. NUM. | Screw M8X20 |
| 98 | 8 | NO SVC. NUM. | Nut M 8 |
| 99 | 12 | 80094486 | Spindle 1.6x12 |
| 100 | 2 | 80094487 | Lock ring 14 |
| 101 | 12 | 80094488 | Washer 5.3 |
| 102 | 4 | NO SVC. NUM. | Nut M 6 DIN 6926 |
| 103 | 3 | NO SVC. NUM. | Screw M 6X20 |
| 104 | 1 | 80094489 | Wheel rear L 20x10.00-8 TRAC MAST |
| 106 | 2 | 80086835 | Tyre 20X10.00-8 CROSS 4X4 |
| 107 | 1 | 80094490 | Wheel rear R 20x10.00-8 TRAC MAST |
| 108 | 2 | 80094492 | Wheel disc rear 7.00lx8H2 OTR SK2 |

FOR DRAWING SEE NEXT SHEET



Catalogue: BCT4323BCE

Group: Mowing unit

| Pos | Quantity | Item number B&S | Description |
|-----|----------|-----------------|-----------------------------------|
| 1 | 1 | 80094494 | Cover complete |
| 2 | 3 | 80094033 | Flange |
| 3 | 6 | 80094036 | Bearing 6205 2 RS C 66IB |
| 4 | 1 | 80094495 | Housing |
| 5 | 3 | 80094035 | Pulley complete 9-3371-318 |
| 6 | 1 | 80094037 | Pulley compl. 9-3325-242 |
| 7 | 3 | 80094496 | Washer |
| 8 | 1 | 80094075 | SHAFT |
| 9 | 3 | 80094039 | Flange |
| 10 | 3 | 80094040 | Lock ring 25 |
| 11 | 3 | 80094041 | Flange cover |
| 12 | 9 | NO SVC. NUM. | Screw M 8X35 |
| 13 | 28 | NO SVC. NUM. | Nut M 8 DIN 6926 8 Zinc |
| 14 | 3 | 80094042 | Nut M 12 |
| 15 | 2 | 80094043 | Screw 0-9011-287 M10 |
| 16 | 2 | 80094502 | Washer 11 Zinc |
| 17 | 3 | 80086786 | WASHER 10 RIPP LOCK |
| 18 | 16 | NO SVC. NUM. | Screw M 8X30 |
| 19 | 2 | 80094044 | Blade right (110) |
| 20 | 2 | 80094045 | Blade right (110) |
| 21 | 1 | 80094046 | Blade left (110) |
| 22 | 1 | 80094047 | Blade left (110) |
| 23 | 2 | 80094048 | Cutting wheel Etop 100-8,2 |
| 24 | 2 | NO SVC. NUM. | Screw M 8X90 |
| 25 | 2 | 80094497 | Cutting foot UJ 110 |
| 26 | 4 | 80094050 | Nut M10 RIPP KL 10 BN 2798 |
| 27 | 4 | 80087363 | Screw M10X25KL100 Ripp. V. DACROM |
| 28 | 1 | 80094051 | Shield 0-8530-621 rubber T4 |
| 29 | 1 | 80094052 | Belt |
| 30 | 7 | NO SVC. NUM. | Screw M8X20 |
| 31 | 1 | 80094498 | Tightening rod 0-8031-229 |
| 32 | 3 | 80094054 | Flange cover |
| 33 | 1 | 80094036 | Bearing 6205 2 RS C 66IB |
| 34 | 1 | 80094082 | Bushing |
| 35 | 1 | 80086803 | Screw M 10x55 |
| 36 | 1 | NO SVC. NUM. | Nut M 6 |
| 37 | 2 | NO SVC. NUM. | Nut M 10 |
| 38 | 1 | 80094062 | Pulley Compensa C-00237/2 |
| 39 | 1 | 80094499 | Tension-pulley arm |
| 40 | 1 | 80094501 | Spring TZ 2x14x62 Zinc |
| 41 | 1 | 80094502 | Washer 11 Zinc |
| 42 | 1 | 80094503 | Tension-pulley holder |
| 43 | 2 | 80094504 | Safety Ring 52 |
| 44 | 1 | 80094060 | Tension-pulley holder |
| 45 | 1 | 80094061 | Pin |
| 46 | 1 | 80094062 | Pulley Compensa C-00237/2 |
| 47 | 1 | 80086792 | Screw M 8X40 |
| 48 | | NO SVC. NUM. | Nut M 8 |

LIST CONTINUES ON NEXT PAGE

Catalogue: BCT4323BCE

Group: Mowing unit

| Pos | Quantity | Item number B&S | Description |
|-----|----------|-----------------|-----------------------------------|
| 49 | 2 | 80094505 | Washer 9 Zinc |
| 50 | 1 | 80094064 | Bushing |
| 51 | 1 | NO SVC. NUM. | Screw M 10x45 |
| 52 | 1 | NO SVC. NUM. | Nut M 10 DIN 6926 Zinc |
| 53 | 2 | 80094065 | Spring 0-9746-460 |
| 54 | 1 | 80087280 | Screw M 6x50 with eye BN1006 Zinc |
| 55 | 1 | 80094066 | Bushing |
| 56 | 2 | 80094062 | Pulley Compensa C-00237/2 |
| 57 | 1 | 80094067 | Screw M 10X60 |
| 58 | 2 | NO SVC. NUM. | Nut M 10 |
| 59 | 1 | 80094068 | Quick fastener 0-9026-246 |
| 60 | 1 | 80094069 | Ring 10.78X2.62 NBR 70-SH |
| 61 | 2 | 80094070 | Nut M 12 |
| 62 | 2 | 80094071 | HOLDER |
| 63 | 1 | 80094072 | HOLDER |
| 64 | 2 | 80094073 | HOLDER |
| 65 | 43 | 80086962 | Chain A6/4 . 9-8558-200 |
| 66 | 1 | 80094074 | V-belt AA 126 Multiflex Twin |
| 67 | 1 | 80094506 | SHAFT |
| 68 | 1 | 80094076 | SHAFT |
| 69 | 1 | 80094507 | Cutting deck 0-8547-223 UJ 110 |
| 70 | 5 | 80087223 | Seating D7-201-802-010 |
| 71 | 5 | 80087224 | Pin D7-201-711-010 |
| 72 | 2 | 80094078 | Spring 8E7X7X22 |
| 73 | 1 | 80094079 | Screw 0-9011-283 M10 Left |
| 74 | 1 | 80094509 | Spline 8E7x7x32 |
| 75 | 3 | 80094081 | Key 6E7X6X28 |
| 76 | 7 | NO SVC. NUM. | Nut M 8 |
| 77 | 4 | NO SVC. NUM. | Nut M 6 |
| 78 | 1 | 80087425 | Label 0-8732-559 Noise 100 dB |
| 79 | 2 | 80087426 | Decal-safety 0-8730-510 |
| 80 | 1 | 80094082 | Bushing |
| 81 | 1 | 80094083 | Stretcher |
| 82 | 1 | 80094512 | Safety frame Right (4x4) |
| 83 | 10 | 80094513 | Washer 8.4 |
| 84 | 1 | 80094514 | Safety frame Left (4x4) |
| 85 | 4 | 80094515 | Cover Ferule 18mm 465377 MOSS |
| 86 | 1 | 80094516 | Cutting deck L. |
| 87 | 1 | 80094517 | Cutting deck R. |
| 88 | 1 | 80094521 | Aperture left |
| 89 | 1 | 80094522 | Aperture right |
| 90 | 4 | NO SVC. NUM. | Screw M 6X14 |
| 91 | 1 | 80094523 | Label 1-8732-335 distrib. 110 GC |
| 92 | 2 | NO SVC. NUM. | Nut M6 |
| 93 | 1 | 80094524 | Lift/fall capture |
| 94 | 1 | NO SVC. NUM. | SCREW M 6X16 DIN 7500D BN 3326 |
| 95 | 1 | 80094525 | V-belt 17x1047 LP Optibelt |
| 96 | 2 | 80094526 | Pen 8E7X7X50 |

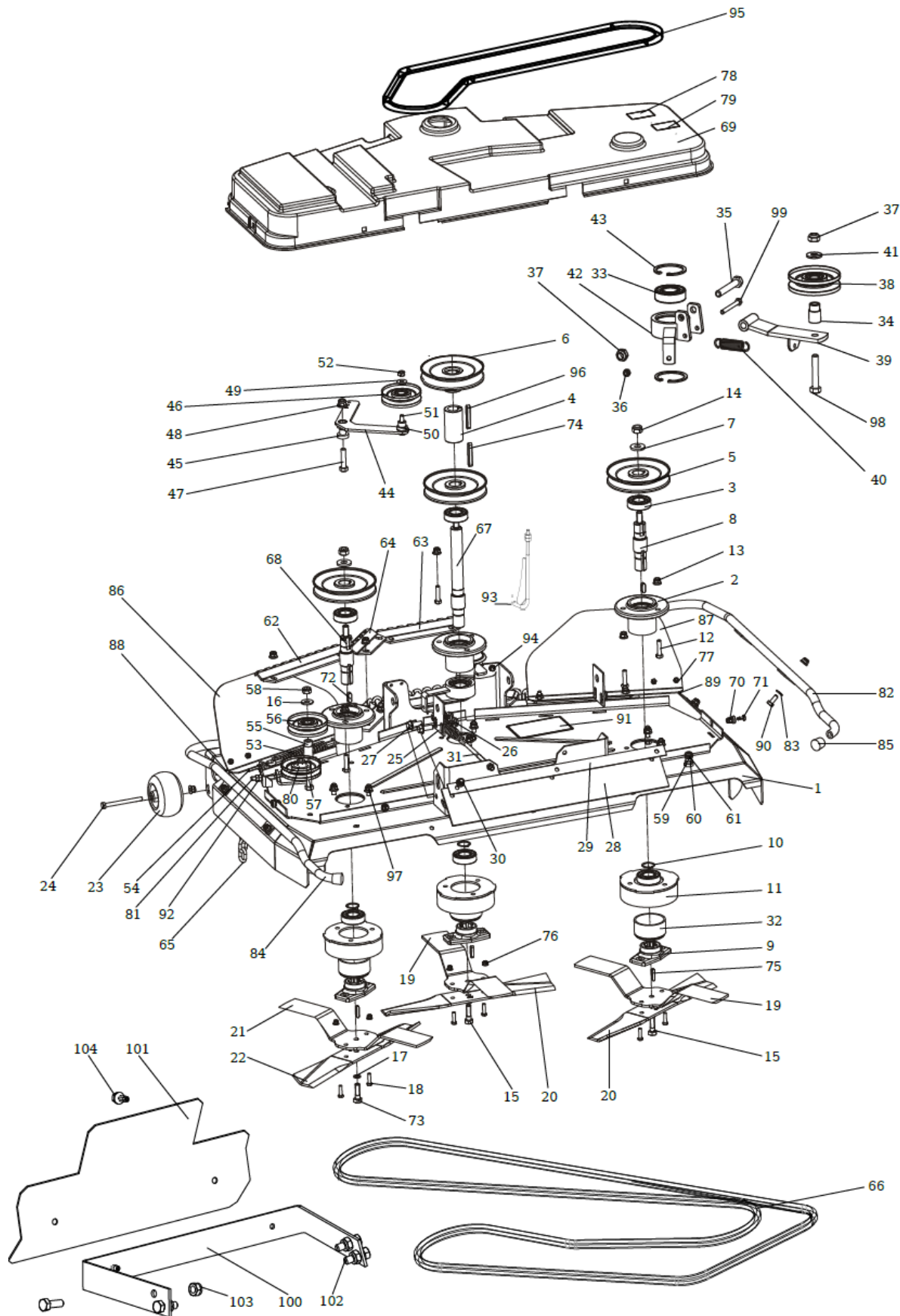
LIST CONTINUES ON NEXT PAGE

Catalogue: BCT4323BCE

Group: Mowing unit

| Pos | Quantity | Item number B&S | Description |
|------------|-----------------|----------------------------|-------------------------------|
| 97 | 4 | NO SVC. NUM. | Nut M 8 |
| 98 | 1 | NO SVC. NUM. | Screw M 10x70 |
| 99 | 1 | NO SVC. NUM. | Screw M 6x60 |
| 100 | 1 | 80094527 | Holder/110 |
| 101 | 1 | 80094528 | Cover/110 |
| 102 | 4 | 80086799 | Screw M 10X30 |
| 103 | 4 | NO SVC. NUM. | Nut M 10 |
| 104 | 2 | NO SVC. NUM. | Screw M8x20 DIN 7500D BN 3326 |

FOR DRAWING SEE NEXT SHEET

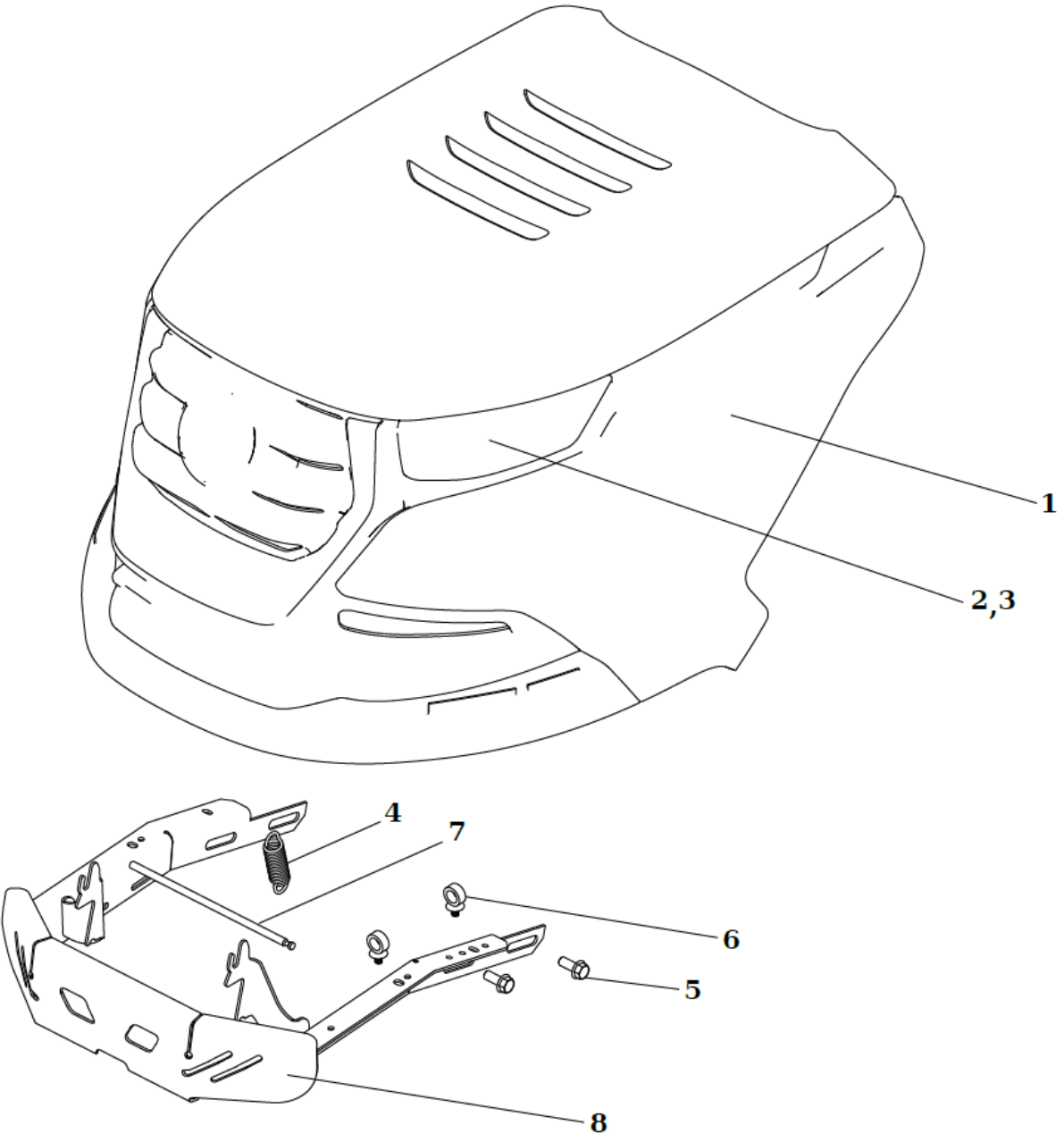


Catalogue: BCT4323BCE

Group: Engine hood

| Pos | Quantity | Item number B&S | Description |
|------------|-----------------|----------------------------|---------------------------------|
| 1 | 1 | 80094529 | Hood 9-1849-492 TEL/TUZ Q7 ND |
| 2 | 2 | 80094530 | Halogen lightbulb MR 16 50MM 20 |
| 3 | 1 | 80094532 | Lights connection KS004025 |
| 4 | 1 | 80094533 | Spring 0-9746-472 |
| 5 | 4 | NO SVC. NUM. | Screw M 10x25 DIN 6921 |
| 6 | 3 | 80087354 | Clip WSBH 1-0-1 |
| 7 | 1 | 80094534 | Safety bar |
| 8 | 1 | 80094536 | Bumper UJ Q7 sheet metal |

FOR DRAWING SEE NEXT SHEET

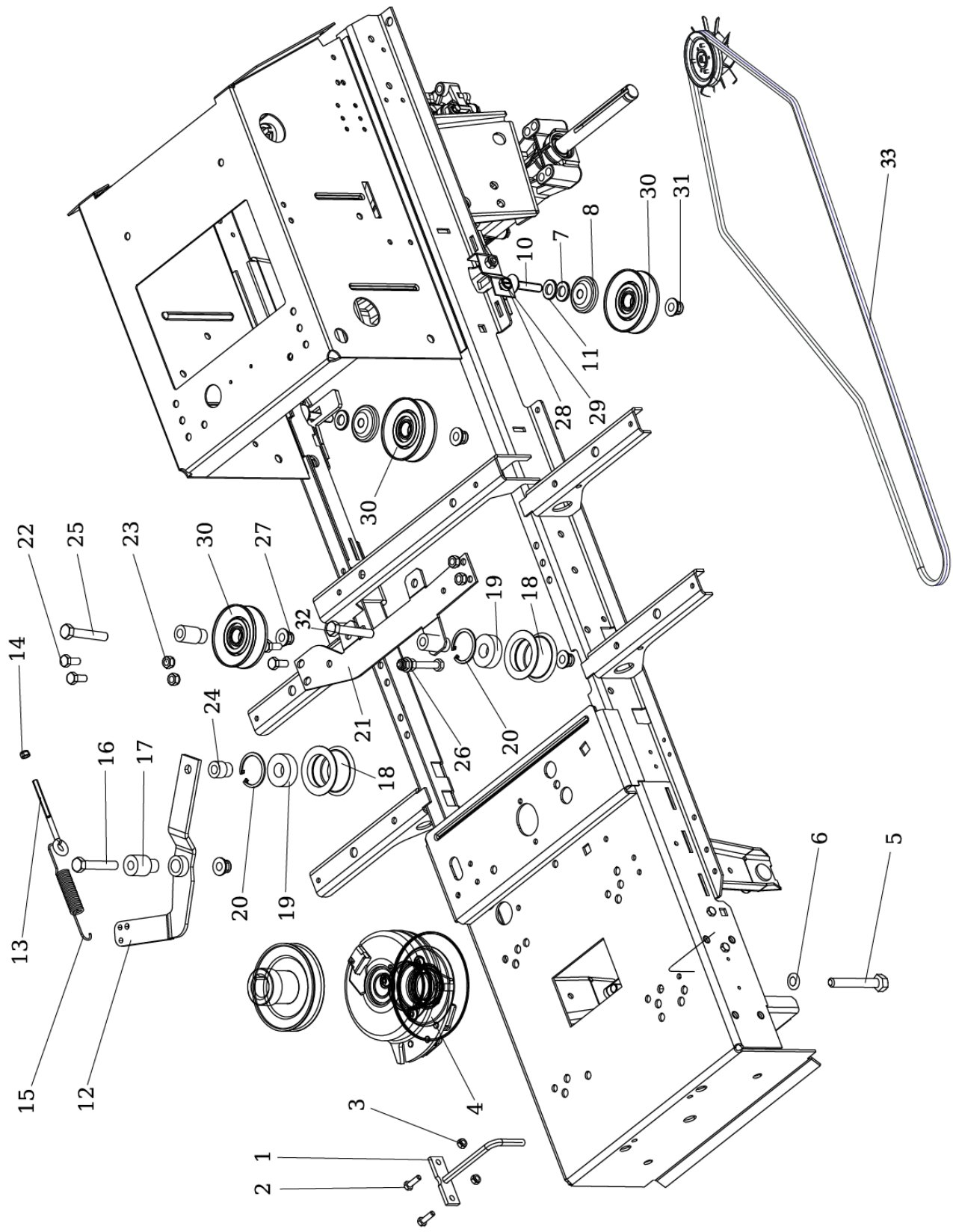


Catalogue: BCT4323BCE

Group: Elmgm.clutch and pulleys

| Pos | Quantity | Item number B&S | Description |
|-----|----------|-----------------|-----------------------------------|
| 1 | 1 | 80094538 | Clutch stopper |
| 2 | 2 | NO SVC. NUM. | Screw M 6X20 |
| 3 | 2 | NO SVC. NUM. | Nut M 6 DIN 6926 |
| 4 | 1 | 80094539 | Elmag. clutch I-5217-38 |
| 5 | 1 | 80094540 | Screw UNF 7/16"X3" 10.9 ZINK |
| 6 | 1 | 80086790 | Washer NL 11 glued Dacromet |
| 7 | 1 | 80094541 | Washer 10.5 |
| 8 | 2 | 80094542 | Cover C-00693 Compensa |
| 9 | 1 | 80094543 | Tension pulley case |
| 10 | 2 | 80094544 | Screw M10X45 021319 Zinc |
| 11 | 2 | 80094545 | Washer 13 |
| 12 | 1 | 80094546 | Travel-tension holder |
| 13 | 1 | NO SVC. NUM. | Screw M 6x80 with eye BN1006 Zinc |
| 14 | 1 | NO SVC. NUM. | Nut M 6 |
| 15 | 1 | 80094547 | Spring 0-9746-497 |
| 16 | 1 | NO SVC. NUM. | Screw M 10x45 |
| 17 | 1 | 80094549 | Bushing |
| 18 | 2 | 80094551 | Pulley tensioning 9-3325-296 |
| 19 | 1 | 80094094 | Bearing 6203 2 RS C 66 IB |
| 20 | 1 | 80094095 | Lock ring 40 |
| 21 | 1 | 80094555 | Guide pulley holder |
| 22 | 4 | NO SVC. NUM. | Screw M8X20 |
| 23 | 4 | NO SVC. NUM. | Nut M 8 |
| 24 | 2 | 80094066 | Bushing |
| 25 | 1 | NO SVC. NUM. | Screw M 8X65 |
| 26 | 2 | NO SVC. NUM. | Nut M 8 |
| 27 | 1 | NO SVC. NUM. | Nut M 8 DIN 6926 8 Zinc |
| 28 | 2 | 80087224 | Pin D7-201-711-010 |
| 29 | 2 | 80087223 | Seating D7-201-802-010 |
| 30 | 3 | 80094557 | Pulley Compensa C-00237/1 |
| 31 | 8 | NO SVC. NUM. | Nut M 10 DIN 6926 Zinc |
| 32 | 3 | NO SVC. NUM. | Screw M 10X60 |
| 33 | 1 | 80094559 | V-belt VB 13x2670LI Optibelt |

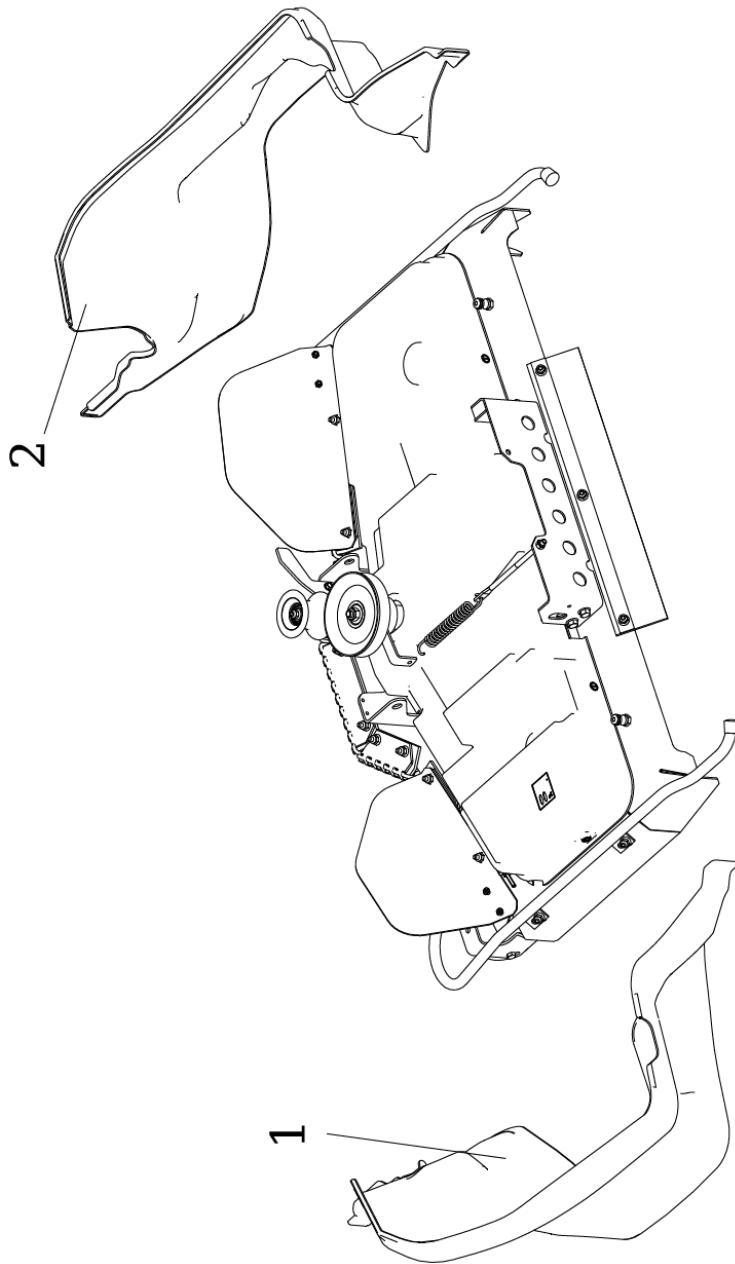
FOR DRAWING SEE NEXT SHEET



Catalogue: BCT4323BCE
Group: Moving unit Covers

| Pos | Quantity | Item number B&S | Description |
|------------|-----------------|----------------------------|-----------------------------------|
| 1 | 1 | 80094561 | Belt cover 0-8547-226 L UJ110 Ema |
| 2 | 1 | 80094562 | Belt cover 0-8547-229 R UJ110 Ema |

FOR DRAWING SEE NEXT SHEET



Catalogue: BCT4323BCE

Group: Fuel tank

| Pos | Quantity | Item number B&S | Description |
|-----|----------|-----------------|-----------------------------------|
| 1 | 1 | 80094563 | Fuel tank 0-2766-201 white/exh.UJ |
| 2 | 1 | 80094564 | Tank holder UJ |
| 3 | 1 | 80094566 | HOLDER |
| 4 | 1 | 80094568 | Fuel tank Cap 9-2725-201 |
| 5 | 1 | 80094570 | Fuel hose for NJ, AJ, UJ |
| 6 | 2 | 80094571 | Clip UM 5008 |
| 7 | 2 | NO SVC. NUM. | Screw M 6X20 |
| 8 | 2 | NO SVC. NUM. | Nut M 6 DIN 6926 |
| 9 | 1 | NO SVC. NUM. | Screw M 8x50 DIN 912 8.8 ZN |
| 10 | 1 | NO SVC. NUM. | Nut M 8 |
| 11 | 2 | 80094573 | Rubber sleeve 28.5x2 |
| 12 | 1 | 80094574 | Label 0-8732-223 Fuel quantity |
| 13 | 1 | 80087354 | Clip WSBH 1-0-1 |
| 14 | 1 | 80094576 | Washer 0-8530-609 |

FOR DRAWING SEE NEXT SHEET

