



---

## Outback Tractor Spare Parts List

---



### **Outback Tractor Spare Parts List for model:**

**2692006-00 BCT4322BCE**

## Table of Contents

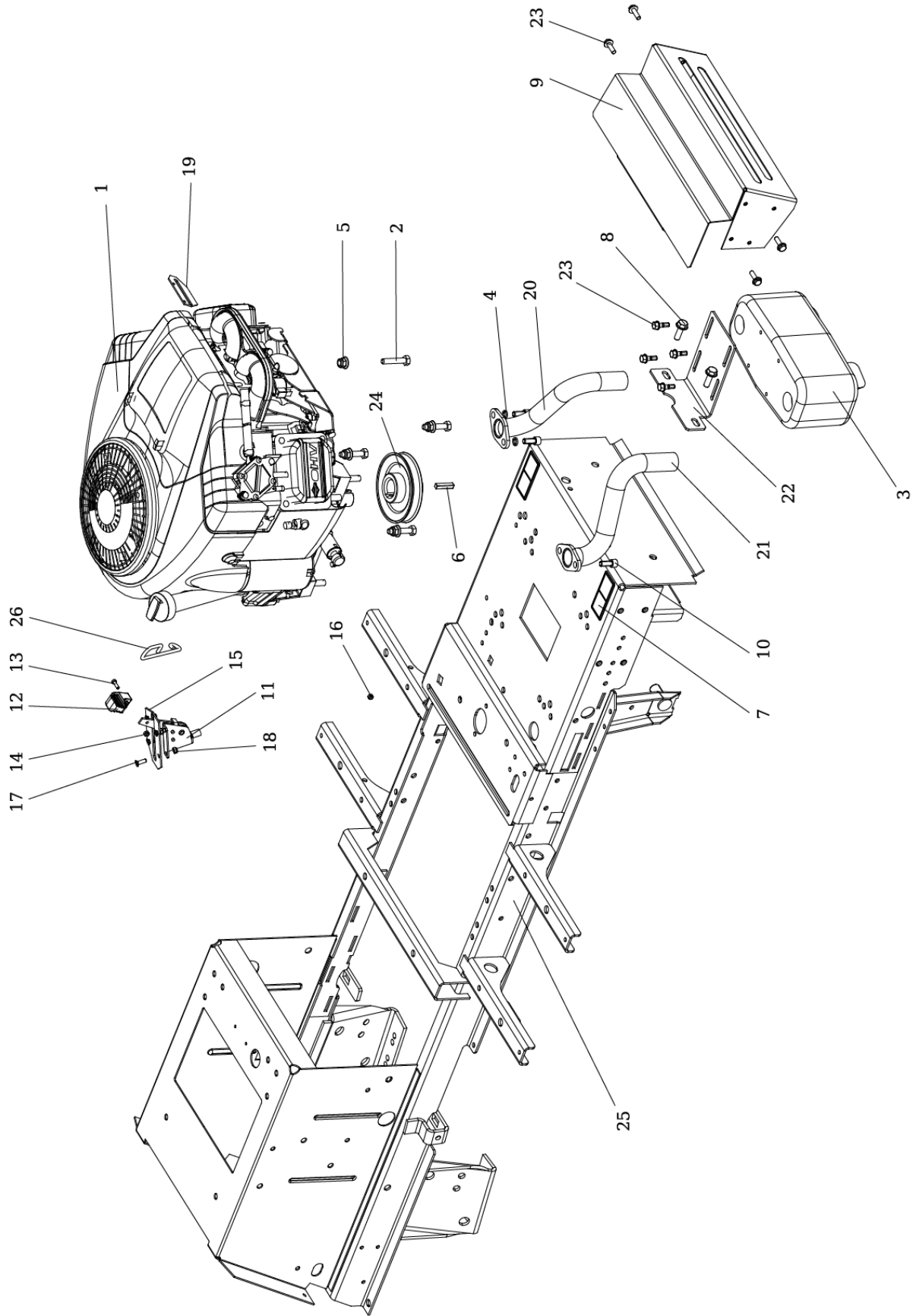
Group: Engine .....	2
Group: Front axle .....	4
Group: Steering .....	6
Group: Mowing lifting .....	8
Group: Seat, Hood .....	10
Group: Electrical installation.....	12
Group: Dashboard.....	15
Group: Tunnel .....	17
Group: Drive and brake control .....	19
Group: Mowing unit .....	23
Group: Engine hood .....	27
Group: Clutch and pulley.....	29
Group: Moving unit Covers .....	31
Group: Fuel tank .....	33
<b>Notes</b> .....	<b>35</b>

Catalogue: BCT4322BCE

Group: Engine

Pos	Quantity	Item number B&S	Description
1	1	NO SVC. NUM.	Engine 8240PXi (PROF.S. 24HP EFM)
2	4	80086792	Screw M 8X40
3	1	80094183	Exhaust Nelson 24500 N-20 V-twin
4	4	80094184	Washer 8
5	4	NO SVC. NUM.	Nut M 8 DIN 6926 8 Zinc
6	1	80086795	Key 0-9231-213
7	2	80087411	Label 0-8732-337
8	2	NO SVC. NUM.	Screw M 8x25 DIN 7500 D
9	1	80094187	Exhaust cover UJ V2
10	4	80094189	Screw vyf.imbus 5/16x3/4 Unc Zinc
11	1	80094190	Throttle lever 9-8071-223
12	1	80094191	Throttle lever 0-8060-244 black
13	1	80094591	Screw M 4X14 021131.25
14	1	NO SVC. NUM.	Nut M4
15	1	80094193	Reinforcement
16	1	80094194	Nut W1/4-20 Unc Zinc.
17	4	NO SVC. NUM.	Screw M 5X16
18	4	NO SVC. NUM.	Nut M5
19	1	80094174	Choke holder
20	1	80094175	Tube left Intek/UJ
21	1	80094589	Tube right Intek/UJ
22	1	80094179	Exhaust holder UJ
23	8	NO SVC. NUM.	SCREW M 6X16 DIN 7500D BN 3326
24	1	80094180	Engine pulley 9-3325-202 K62
25	1	80094590	Frame compl. UJ/2014
26	1	80094186	HOOK 0-9242-240

FOR DRAWING SEE NEXT SHEET

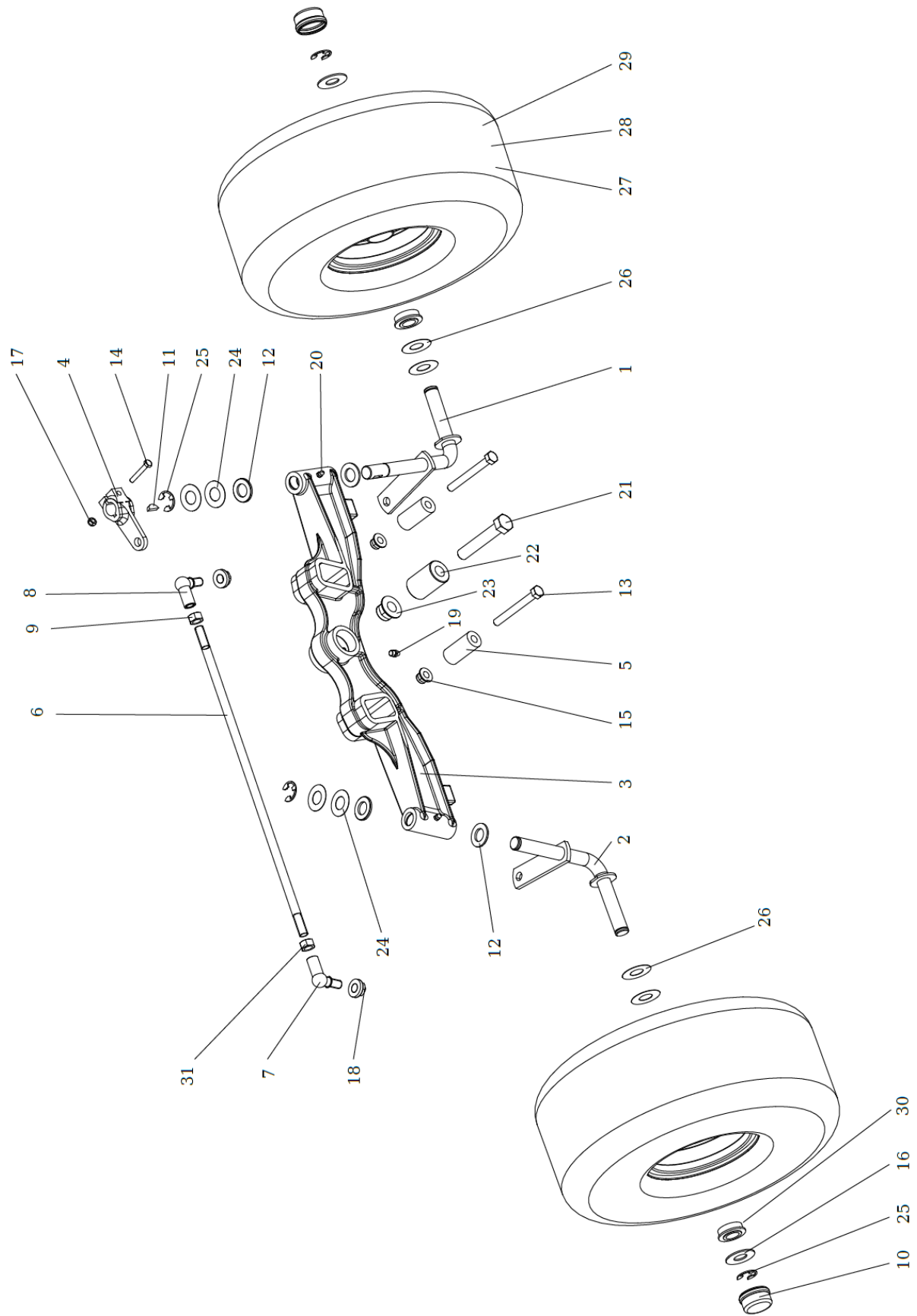


Catalogue: BCT4322BCE

Group: Front axle

Pos	Quantity	Item number B&S	Description
1	1	80094593	Pin left
2	1	80094200	Pin right
3	1	80094201	Axle
4	1	80094202	Lever
5	2	80094594	Spacer
6	1	80094204	Connecting rod 0-9010-572
7	1	80094205	Angular joint 16 R DIN71802CS M12
8	1	80094595	Angular joint 16 L DIN71802CS M12
9	1	NO SVC. NUM.	Nut M12 left
10	2	80094207	Cover 0-8025-237
11	1	80094208	Woodruff key 5e7X7.5
12	4	80094209	Washer 19
13	2	NO SVC. NUM.	Screw M 10X80
14	1	NO SVC. NUM.	Screw M 6X40
15	2	NO SVC. NUM.	Nut M 10 DIN 6926 Zinc
16	2	NO SVC. NUM.	Washer
17	1	NO SVC. NUM.	Nut M 6
18	2	NO SVC. NUM.	Nut M 12 DIN 6923 8 Zinc. toothed
19	1	80094210	Lubricating head MK 8x1
20	2	80094247	Lubricating head MK 6x1
21	1	NO SVC. NUM.	Screw M 8x90
22	1	80094211	Pin
23	1	NO SVC. NUM.	Nut M 16 DIN 6926
24	4	80094212	Washer
25	4	80086818	Lock ring E-75 3/4
26	6	80094213	Washer
27	2	80094215	Wheel front 16x6.50-8 350 MAG
28	2	80094217	Wheel disc front 5.50AX8H2 OTR 20
29	2	80094219	Tyre front 16x6.50-8 350 MAG Turf
30	4	80094221	Front wheel bearing 3/4 Compensa
31	1	NO SVC. NUM.	Nut M 12

FOR DRAWING SEE NEXT SHEET

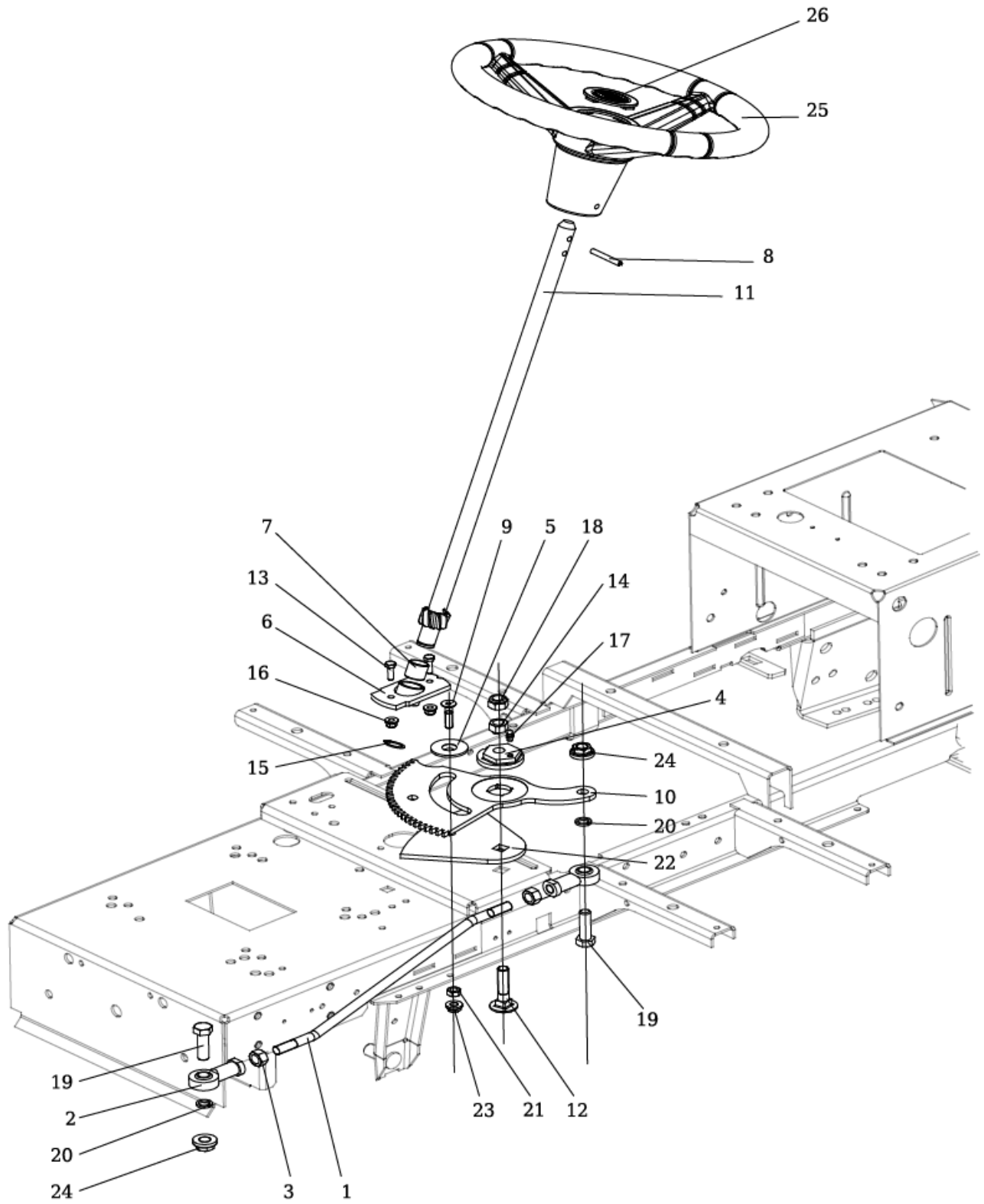


Catalogue: BCT4322BCE

Group: Steering

Pos	Quantity	Item number B&S	Description
1	1	80094229	Steering rod 0-8041-338
2	2	80094237	Joint head PHS 12 CN
3	2	NO SVC. NUM.	Nut M 12
4	1	80094238	Eccentric
5	1	80094240	Spacer
6	1	80094241	Bearing
7	1	80094242	Bushing 1920 KU
8	1	80094366	Spring pin 6x45
9	1	NO SVC. NUM.	Screw M 8x35 DIN 7991 10.9 Zinc
10	1	80094243	Toothed Segment
11	1	80094230	Pinion compl.
12	1	80094245	Screw M 12X55.8.8 A3L ISO 8677
13	2	NO SVC. NUM.	Screw M 6X20
14	1	80094042	Nut M 12
15	1	80094246	Lock ring 19
16	2	NO SVC. NUM.	Nut M 6 DIN 6926
17	1	80094247	Lubricating head MK 6x1
18	1	NO SVC. NUM.	Nut M 12
19	2	NO SVC. NUM.	Screw M12X40
20	2	80094248	Washer 12
21	1	NO SVC. NUM.	Nut M 8
22	1	80094255	WASHER
23	1	NO SVC. NUM.	Nut M8 DIN 6923 8 Zinc. toothed
24	2	NO SVC. NUM.	Nut M 12 DIN 6923 8 Zinc. toothed
25	1	80094596	Steering wheel 0-8020-201 UJ2014
26	1	80094234	Steering-wheel cover 0-8516-201

FOR DRAWING SEE NEXT SHEET



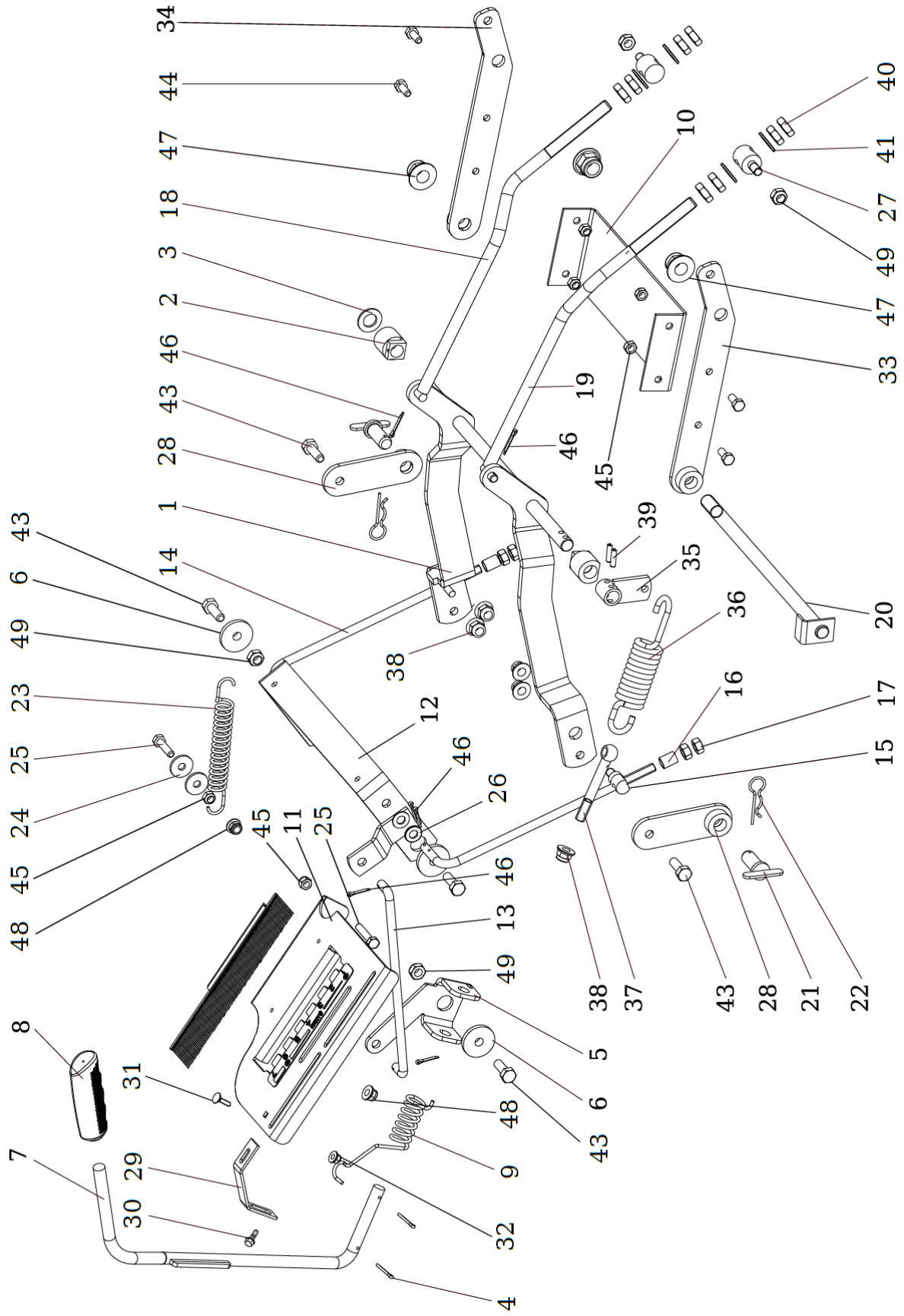


Catalogue: BCT4322BCE

Group: Mowing lifting

Pos	Quantity	Item number B&S	Description
1	1	80094258	Lifting arms UJ
2	2	80094597	Case 0-9462-203
3	1	80094456	Washer 17
4	2	80094427	Spindle 3.2x25
5	1	80094259	Lever holder
6	3	80094260	WASHER
7	1	80094262	Lifting lever
8	1	80094263	Handrail 0-8832-202
9	1	80094264	Spring 0-9746-504 lifting
10	1	80094265	Holder
11	1	80094267	Lifting segment
12	1	80094270	Lifting holder
13	1	80094271	Lifting rod 0-8041-201 UJ
14	2	80094272	Lifting rod 0-8041-346
15	2	80094273	Pin
16	2	80094274	Spacer
17	4	NO SVC. NUM.	Nut M 10
18	1	80094276	Lifting tie-rod L
19	1	80094278	Lifting tie-rod R
20	1	80094280	Lifting shaft UJ
21	2	80094282	Pin complete
22	2	80094284	Flexible spindle 0-9245-999
23	1	80094065	Spring 0-9746-460
24	2	80094505	Washer 9 Zinc
25	3	NO SVC. NUM.	Screw M 8X35
26	4	80094541	Washer 10.5
27	2	80094286	Screw
28	2	80094288	Lifting arm
29	1	80094290	Lifting segment brace
30	1	80094457	Screw M 8X25 DIN 6921 8.8 Zinc
31	1	NO SVC. NUM.	Screw M6X16
32	1	NO SVC. NUM.	Nut M 6 DIN 6926
33	1	80094296	Lifting arm R
34	1	80094297	Lifting arm L
35	1	80094298	Lifting arm spring
36	1	80094299	Spring 0-9746-507 Lifting
37	1	80094300	Screw M 10x90 DIN 444-4.6
38	5	NO SVC. NUM.	Nut M 10 DIN 6926 Zinc
39	3	80094301	Spring pin 6x26 ISO 8748
40	8	80086812	Nut M 14
41	4	80094302	Washer 15
42	1	NO SVC. NUM.	Not used in this model
43	5	80086799	Screw M 10X30
44	4	NO SVC. NUM.	Screw M8X20
45	7	NO SVC. NUM.	Nut M 8
46	6	80094428	Spindle 3.2x20
47	3	NO SVC. NUM.	Nut M 16 DIN 6926
48	1	NO SVC. NUM.	Nut M 8 DIN 6926 8 Zinc
49	5	NO SVC. NUM.	Nut M 10

FOR DRAWING SEE NEXT SHEET

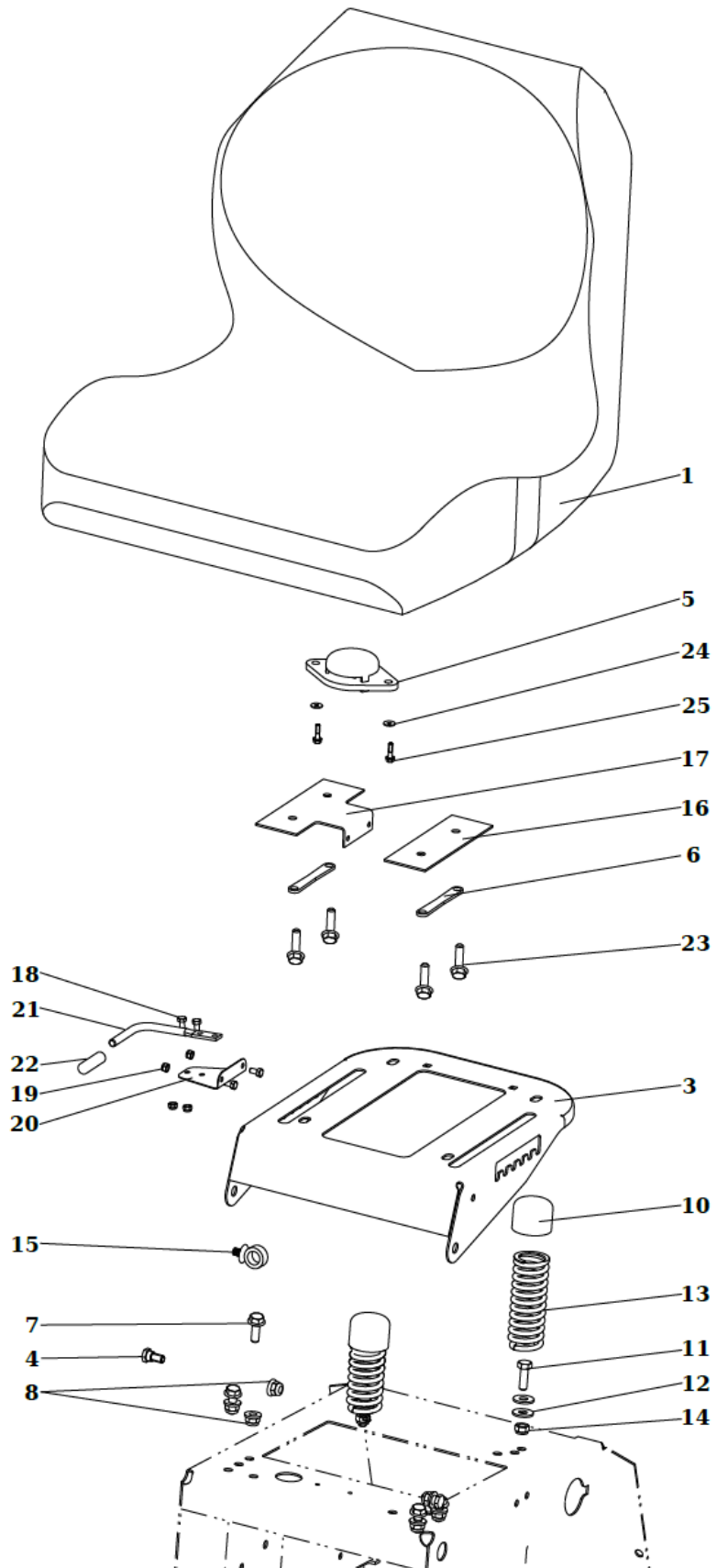


Catalogue: BCT4322BCE

Group: Seat, Hood

Pos	Quantity	Item number B&S	Description
1	1	80094303	Seat COBO PS 48 E 8098.017
2	1	NO SVC. NUM.	Not used in this model
3	1	80094304	Seat carrier
4	2	80094364	Carrier screw 0-9016-427
5	1	80094318	Microswitch 6520 Delta
6	2	80094305	Distance washer
7	4	80094457	Screw M 8X25 DIN 6921 8.8 Zinc
8	6	NO SVC. NUM.	Nut M 8 DIN 6926 8 Zinc
9	1	NO SVC. NUM.	Not used in this model
10	2	80087306	Cover 38/A PVC Black
11	2	80094476	Screw M 8X25
12	4	80094505	Washer 9 Zinc
13	2	80094306	Spring 0-9746-441
14	2	NO SVC. NUM.	Nut M 8
15	1	80087354	Clip WSBH 1-0-1
16	1	80094307	Seat holder
17	1	80094308	Seat holder
18	4	NO SVC. NUM.	Screw M 5x10
19	4	NO SVC. NUM.	Nut M5
20	1	80094309	Seat spring
21	1	80094310	Seat tie rod 0-8043-310
22	1	80094311	Cover 8X40 Vinyl-Flex black
23	4	NO SVC. NUM.	Screw M 8x25 DIN 7500 D
24	2	80094312	Washer 4.3
25	2	80094313	Screw ST 4.2x16 BN 1880

FOR DRAWING SEE NEXT SHEET

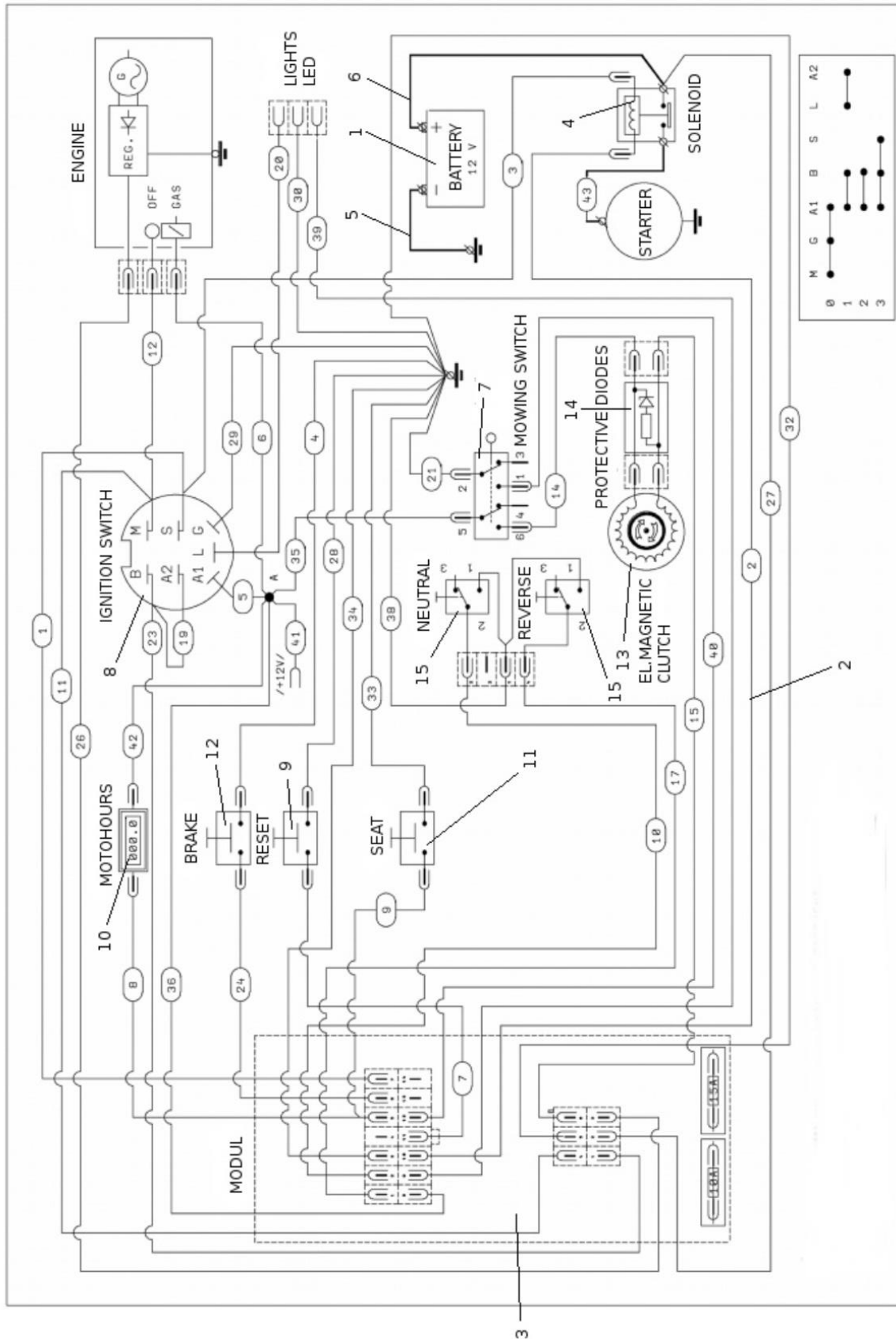


Catalogue: BCT4322BCE

Group: Electrical installation

<b>Pos</b>	<b>Quantity</b>	<b>Item number B&amp;S</b>	<b>Description</b>
1	1	80094314	Battery 12V-32Ah ETECH F-ET-U1-R3
2	1	80094315	Wiring harness KS 004084
3	1	80094331	Module KS 004062 AJ06/14
4	1	80094333	Solenoid Trombetta 764-1221-210
5	1	80094316	Cable 9-8316-570
6	1	80094317	Cable 9-8316-624 solenoid+battery
7	1	80087347	Switch VDD2S001 9ZZCR 100
8	1	80087350	Switch box Delta 6900-47 P
9	1	80087352	Switch 1932.3413
10	1	80087346	Hour-meter SEN DEC DIGITAL
11	1	80094318	Microswitch 6520 Delta
12	1	80094438	Seat switch Delta 6440-04
13	1	80094539	Elmag. clutch I-5217-38
14	1	80087396	Protective diodes harness 9-8316-
15	2	80087338	Microswitch MKH 12 D 13-S1

FOR DRAWING SEE NEXT SHEET



Catalogue: BCT4322BCE

Group: Dashboard

Pos	Quantity	Item number B&S	Description
1	1	80094320	Panel 0-8048-286 Telsnig, UJ, R
2	1	80094329	Battery cover 0-8547-205
3	1	80094369	DOUBLE FENDER 9-1847-349 TEL/MULCH
4	4	NO SVC. NUM.	Screw M 8X30 DIN 6921 8.8 Zinc
5	1	80094331	Module KS 004062 AJ06/14
6	1	80094333	Solenoid Trombetta 764-1221-210
7	2	80087349	Rivet 282702
8	1	80094321	Ball BEARING FL M12
9	4	NO SVC. NUM.	Screw M 6X20
10	2	80094450	Washer 6.4
11	2	NO SVC. NUM.	Nut M 6
12	2	80087353	Cover 273 125 020 050
13	9	80087354	Clip WSBH 1-0-1
14	2	80094476	Screw M 8X25
15	1	NO SVC. NUM.	Screw M 5X16
16	1	NO SVC. NUM.	Nut M 5 DIN 6926 Zinc
17	1	80094322	Steering wheel bushing 0-1652-226
18	2	NO SVC. NUM.	Screw M 6X25 DIN7991 10.9 Zinc
19	2	NO SVC. NUM.	Screw M6X16
20	2	80094337	Backstop rubber 15509-8
21	1	NO SVC. NUM.	Not used in this model
22	1	80094323	Steering wheel cover
23	1	80094347	Footstool 0-1832-244 left
24	1	80094348	Footstool 0-1832-245 right
25	1	80087347	Switch VDD2S001 9ZZCR 100
26	1	80087350	Switch box Delta 6900-47 P
27	1	80087351	Starting key DELTA 688P-001
28	1	80087346	Hour-meter SEN DEC DIGITAL
29	1	80094324	Steering column UJ
30	4	NO SVC. NUM.	Screw M 8X16
31	1	80094325	Label 0-8732-333 Panel R
32	1	80094342	Case 0-8642-236
33	1	80094326	Label 0-8732-205 Panel Twin cylin
34	1	80094346	Light indicator KS004074
35	1	80087352	Switch 1932.3413
36	2	80094349	BATTERY HOLDER
37	1	NO SVC. NUM.	Screw M8x45
38	2	80094350	Blind flange G 20X15 (europlast)
39	1	80094351	Panel holder
40	2	80094352	Screw ST 6.3x19 DIN7504-K BN1880
41	2	80094488	Washer 5.3
42	5	NO SVC. NUM.	Nut M 8
43	4	NO SVC. NUM.	Screw M 5x16 ISO 7380 8.8
44	4	NO SVC. NUM.	Nut M 5 DIN 6926 Zinc
45	6	NO SVC. NUM.	Nut M 8 DIN 6926 8 Zinc
46	6	NO SVC. NUM.	Nut M 6 DIN 6926
47	8	80087223	Seating D7-201-802-010
48	8	80087224	Pin D7-201-711-010

LIST CONTINUES ON NEXT PAGE

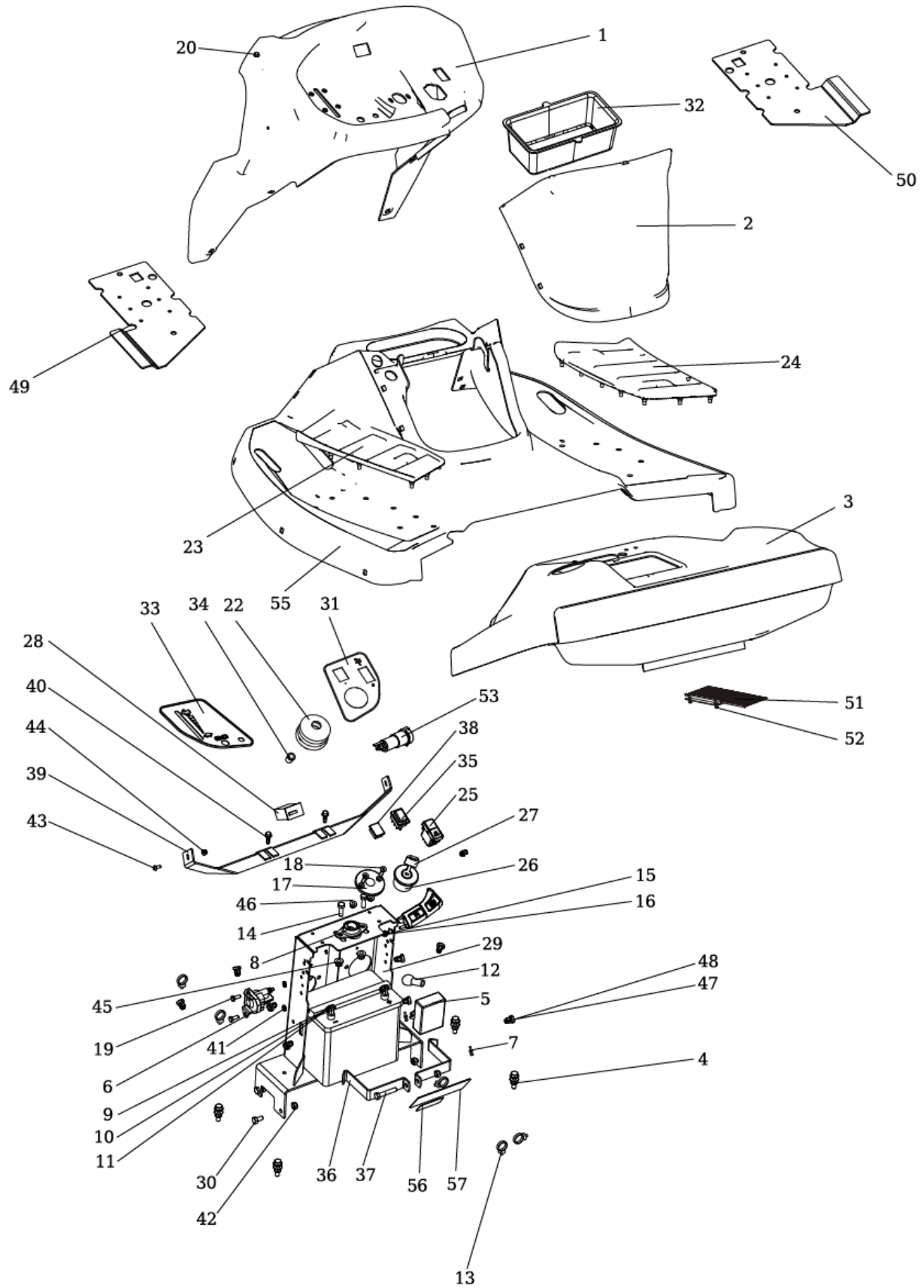
Catalogue: BCT4322BCE

Group: Dashboard

<b>Pos</b>	<b>Quantity</b>	<b>Item number B&amp;S</b>	<b>Description</b>
49	1	80094370	Footboard reinforcement L
50	1	80094357	Footboard reinforcement R
51	1	80094340	Brush cover 9-9636-205
52	2	80094341	Rivet slide-in PH4 D 6.5
53	1	NO SVC. NUM.	Not used in this model
54	1	NO SVC. NUM.	Not used in this model
55	1	80094330	Footboard 0-1847-218 2020/UJ
56	1	80087410	Label 0-8732-336
57	1	80094327	Label 0-8732-220 slope 12

FOR DRAWING SEE NEXT SHEET



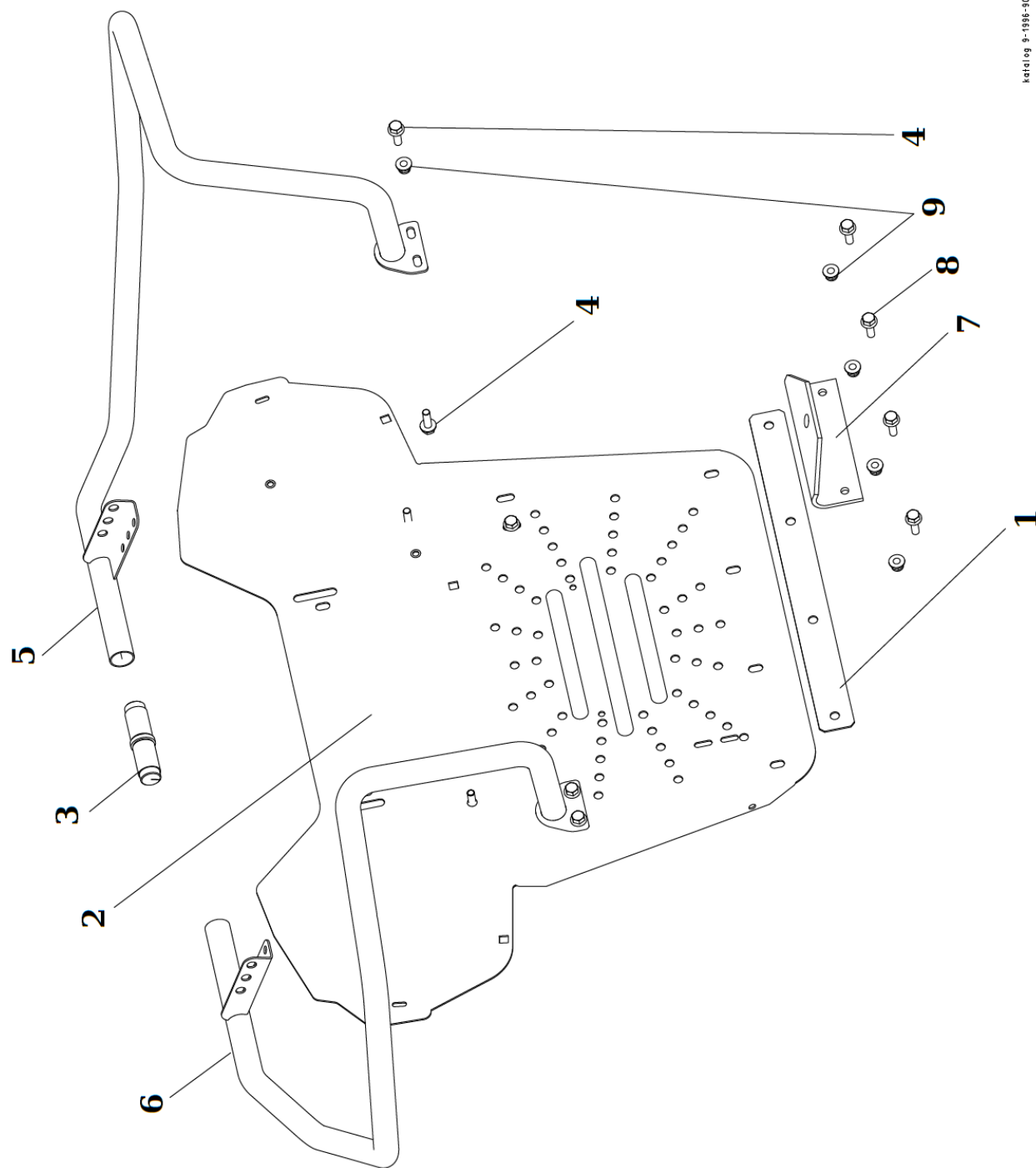


Catalogue: BCT4322BCE

Group: Tunnel

<b>Pos</b>	<b>Quantity</b>	<b>Item number B&amp;S</b>	<b>Description</b>
1	1	80094374	Reinforcement
2	1	80094375	Board rear TEL.2020 mulcher
3	1	80094376	Circular profile coupling
4	6	80094377	Screw M8x25 DIN 6921 with teeth
5	1	80094381	Left protective frame
6	1	80094382	Right protective frame
7	1	80094383	Tow hitch
8	4	80094457	Screw M 8X25 DIN 6921 8.8 Zinc
9	8	NO SVC. NUM.	Nut M 8 DIN 6926 8 Zinc

FOR DRAWING SEE NEXT SHEET



Catalogue: BCT4322BCE

Group: Drive and brake control

Pos	Quantity	Item number B&S	Description
1	4	80094597	Case 0-9462-203
2	1	80094598	Latch
3	1	80094599	Switch holder
4	1	80094600	Travel lever UJ
5	1	80094601	Brake rod 0-8041-202 K62
6	1	80094602	Spring TLZ 250.150.0530 Zinc
7	1	80094413	Arm complete
8	1	80094415	Travel lever
9	1	NO SVC. NUM.	Nut M 10
10	1	80087249	Ball bushing 16DIN71805B ZnBN489
11	2	80094417	Foot pedal plastic 0-8051-202
12	2	80087273	Pedal cover 0-8832-234
13	1	NO SVC. NUM.	Not used in this model
14	1	80094384	Transmission K62 M Tuff Torq with
15	1	80094420	Screw
16	1	80094421	Plate holder left
17	1	80094422	Plate holder right
18	1	80094423	Gear-box holder K46/K62 UJ
19	1	80094424	Bypass rod 0-8041-204
20	1	80094425	Bypass holder K62
21	5	80094427	Spindle 3.2x25
22	1	80094428	Spindle 3.2x20
23	1	NO SVC. NUM.	Nut M 10 DIN 6926 Zinc
24	13	80094486	Spindle 1.6x12
25	2	80094487	Lock ring 14
26	1	80094429	Rubber sleeve 9x2
27	1	80094604	Ratchet rod 0-8042-273
28	4	NO SVC. NUM.	Screw M 8X85
29	6	80094513	Washer 8.4
30	1	80094541	Washer 10.5
31	1	NO SVC. NUM.	Nut M 8
32	1	80094513	Washer 8.4
33	2	NO SVC. NUM.	Nut M 8
34	12	80094488	Washer 5.3
35	1	80094405	Reverse pedal UJ
36	5	80086979	Bushing 1625 KU
37	4	80094436	Ring 16
38	1	80087296	LEVER - COMPLETE
39	1	80094437	Spring pin 6X40
40	1	80094438	Seat switch Delta 6440-04
41	1	80094439	Brake foot complete
42	1	80094444	Brake pedal UJ
43	1	80094445	Zinc Angle Joint 16Din
44	1	NO SVC. NUM.	Nut M 10 DIN 6923 8 Zinc. toothed
45	1	80087269	SAFETY U - STRAP 16 DIN 71805 S Z
46	2	80094388	Spacer
47	2	80086827	Washer
48	10	80086831	Washer

LIST CONTINUES ON NEXT PAGE

Catalogue: BCT4322BCE

Group: Drive and brake control

Pos	Quantity	Item number B&S	Description
49	1	NO SVC. NUM.	Nut M 10
50	1	80094446	Cruise control lever 0-8066-203
51	1	80094447	Parking lever 0-8066-202
52	1	80094606	Lever holder 0-8066-204
53	2	NO SVC. NUM.	Screw M 5x25 DIN7991 10.9 Zinc
54	2	NO SVC. NUM.	Screw M 5x12 DIN 7500D BN3326
55	1	80094451	Reset spring
56	1	80087354	Clip WSBH 1-0-1
57	1	80094452	Spring 0-9746-445
58	3	80094454	Spring pin 5x22 ISO 8748
59	2	80086830	Lock ring SE-98 1
60	2	80086832	Cap 0-8025-201 49x25
61	2	80086826	Key 0-9231-224
62	4	NO SVC. NUM.	Nut M 6 DIN 6926
63	2	80094456	Washer 17
64	1	NO SVC. NUM.	Bolt M5x35
65	2	80094476	Screw M 8X25
66	1	80094458	Ratchet holder
67	1	80094390	Expansion tank 0-2766-212 K 62
68	1	80094393	Bleeder Valvel 1A 6320-24250
69	1	80094394	TANK HOLDER 1A 6320-84951
70	1	80094396	Hose - oil-fuel
71	1	80094397	Hose clip 8-12 Zinc
72	1	80094571	Clip UM 5008
73	2	NO SVC. NUM.	Nut M 6
74	1	80094459	Screw 0-8011-246 K62
75	1	80094461	Label 0-8732-311
76	2	NO SVC. NUM.	Nut M 5 DIN 6926 Zinc
77	1	80094466	Label 0-8732-208 Travel
78	1	80087414	Label 1-8732-363 Brake
79	2	80094468	Washer 16X22X1 DIN 988 L 07
80	1	80094399	Filling throat 0-8247-210 Zn
81	1	80094400	Pipeline
82	1	NO SVC. NUM.	NUT M 8X1
83	1	NO SVC. NUM.	Screw M 8X16
84	1	80094401	Tank holder K62/UJ
85	1	80094469	Travel damper K22 621 100 006
86	1	80094402	Pulley P/N 192154-89061
87	1	80094471	Fan P/N 5069481-01
88	1	80094474	Washer 11
89	1	80094483	Switch holder UJ
90	1	80094484	Neutral-switch cover
91	1	NO SVC. NUM.	Screw M 4X8 D 7500 D
92	2	80087338	Microswitch MKH 12 D 13-S1
93	4	NO SVC. NUM.	Screw M 6x10 DIN 7500 D
94	8	NO SVC. NUM.	Nut M 8
95	8	NO SVC. NUM.	Nut M 8 DIN 6926 8 Zinc
96	6	NO SVC. NUM.	Screw M8X20

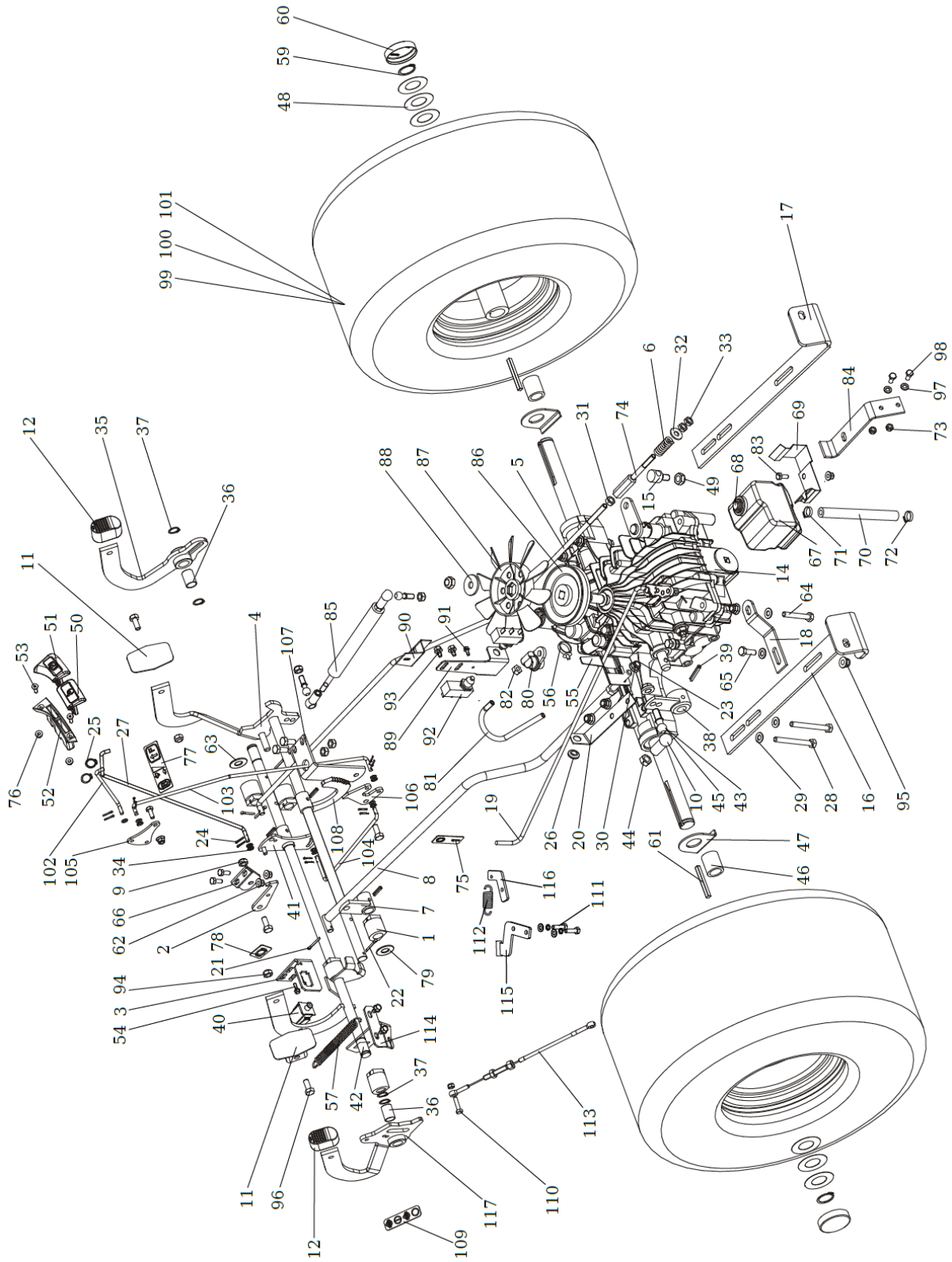
LIST CONTINUES ON NEXT PAGE

Catalogue: BCT4322BCE

Group: Drive and brake control

Pos	Quantity	Item number B&S	Description
97	3	80094450	Washer 6.4
98	5	NO SVC. NUM.	Screw M 6X20
99	2	80094403	Wheel rear 20x10.00-8 350 MAG
100	2	80094492	Wheel disc rear 7.00lx8H2 OTR SK2
101	2	80094404	Tyre rear 20x10-8 350 MAG Turf
102	1	80094440	Ratchet rod 0-8042-274
103	1	80094442	Rod of Cruise-control resetting
104	1	80094607	Ratchet rod 0-80-42-275
105	1	80094435	Cruise control foot
106	1	80094441	Cruise control latch
107	1	80094426	Safety pin holder
108	1	80094443	Cruise control ratchet
109	1	80094481	Label 1-8732-401 diff-lock UJ
110	1	NO SVC. NUM.	Screw M 6X25
111	2	NO SVC. NUM.	Screw M8X30 DIN 7500D BN 3326
112	1	80087294	Spring 0-9746-493 Diff.lock
113	1	80094478	Cable connection diff-lock
114	1	80094480	Diff-lock & cable holder UJ
115	1	80094479	Holder
116	1	80087293	Foot complete
117	1	80094477	Diff-lock pedal UJ

FOR DRAWING SEE NEXT SHEET



Catalogue: BCT4322BCE

Group: Mowing unit

Pos	Quantity	Item number B&S	Description
1	1	80094494	Cover complete
2	3	80094033	Flange
3	6	80094036	Bearing 6205 2 RS C 66IB
4	1	80094495	Housing
5	3	80094035	Pulley complete 9-3371-318
6	1	80094037	Pulley compl. 9-3325-242
7	3	80094496	Washer
8	1	80094075	SHAFT
9	3	80094039	Flange
10	3	80094040	Lock ring 25
11	3	80094041	Flange cover
12	9	NO SVC. NUM.	Screw M 8X35
13	28	NO SVC. NUM.	Nut M 8 DIN 6926 8 Zinc
14	3	80094042	Nut M 12
15	2	80094043	Screw 0-9011-287 M10
16	2	80094502	Washer 11 Zinc
17	3	80086786	WASHER 10 RIPP LOCK
18	16	NO SVC. NUM.	Screw M 8X30
19	2	80094044	Blade right (110)
20	2	80094045	Blade right (110)
21	1	80094046	Blade left (110)
22	1	80094047	Blade left (110)
23	2	80094048	Cutting wheel Etop 100-8,2
24	2	NO SVC. NUM.	Screw M 8X90
25	2	80094497	Cutting foot UJ 110
26	4	80094050	Nut M10 RIPP KL 10 BN 2798
27	4	80087363	Screw M10X25KL100 Ripp. V. DACROM
28	1	80094051	Shield 0-8530-621 rubber T4
29	1	80094052	Belt
30	7	NO SVC. NUM.	Screw M8X20
31	1	80094498	Tightening rod 0-8031-229
32	3	80094054	Flange cover
33	1	80094036	Bearing 6205 2 RS C 66IB
34	1	80094082	Bushing
35	1	80086803	Screw M 10x55
36	1	NO SVC. NUM.	Nut M 6
37	2	NO SVC. NUM.	Nut M 10
38	1	80094062	Pulley Compensa C-00237/2
39	1	80094499	Tension-pulley arm
40	1	80094501	Spring TZ 2x14x62 Zinc
41	1	80094502	Washer 11 Zinc
42	1	80094503	Tension-pulley holder
43	2	80094504	Safety Ring 52
44	1	80094060	Tension-pulley holder
45	1	80094061	Pin
46	1	80094062	Pulley Compensa C-00237/2
47	1	80086792	Screw M 8X40
48		NO SVC. NUM.	Nut M 8

LIST CONTINUES ON NEXT PAGE



Catalogue: BCT4322BCE

Group: Mowing unit

Pos	Quantity	Item number B&S	Description
49	2	80094505	Washer 9 Zinc
50	1	80094064	Bushing
51	1	NO SVC. NUM.	Screw M 10x45
52	1	NO SVC. NUM.	Nut M 10 DIN 6926 Zinc
53	2	80094065	Spring 0-9746-460
54	1	80087280	Screw M 6x50 with eye BN1006 Zinc
55	1	80094066	Bushing
56	2	80094062	Pulley Compensa C-00237/2
57	1	80094067	Screw M 10X60
58	2	NO SVC. NUM.	Nut M 10
59	1	80094068	Quick fastener 0-9026-246
60	1	80094069	Ring 10.78X2.62 NBR 70-SH
61	2	80094070	Nut M 12
62	2	80094071	HOLDER
63	1	80094072	HOLDER
64	2	80094073	HOLDER
65	43	80086962	Chain A6/4 . 9-8558-200
66	1	80094074	V-belt AA 126 Multiflex Twin
67	1	80094506	SHAFT
68	1	80094076	SHAFT
69	1	80094507	Cutting deck 0-8547-223 UJ 110
70	5	80087223	Seating D7-201-802-010
71	5	80087224	Pin D7-201-711-010
72	2	80094078	Spring 8E7X7X22
73	1	80094079	Screw 0-9011-283 M10 Left
74	1	80094509	Spline 8E7x7x32
75	3	80094081	Key 6E7X6X28
76	7	NO SVC. NUM.	Nut M 8
77	4	NO SVC. NUM.	Nut M 6
78	1	80087425	Label 0-8732-559 Noise 100 dB
79	2	80087426	Decal-safety 0-8730-510
80	1	80094082	Bushing
81	1	80094083	Stretcher
82	1	80094512	Safety frame Right (4x4)
83	10	80094513	Washer 8.4
84	1	80094514	Safety frame Left (4x4)
85	4	80094515	Cover Ferule 18mm 465377 MOSS
86	1	80094516	Cutting deck L.
87	1	80094517	Cutting deck R.
88	1	80094521	Aperture left
89	1	80094522	Aperture right
90	4	NO SVC. NUM.	Screw M 6X14
91	1	80094523	Label 1-8732-335 distrib. 110 GC
92	2	NO SVC. NUM.	Nut M6
93	1	80094524	Lift/fall capture
94	1	NO SVC. NUM.	SCREW M 6X16 DIN 7500D BN 3326
95	1	80094525	V-belt 17x1047 LP Optibelt
96	2	80094526	Pen 8E7X7X50

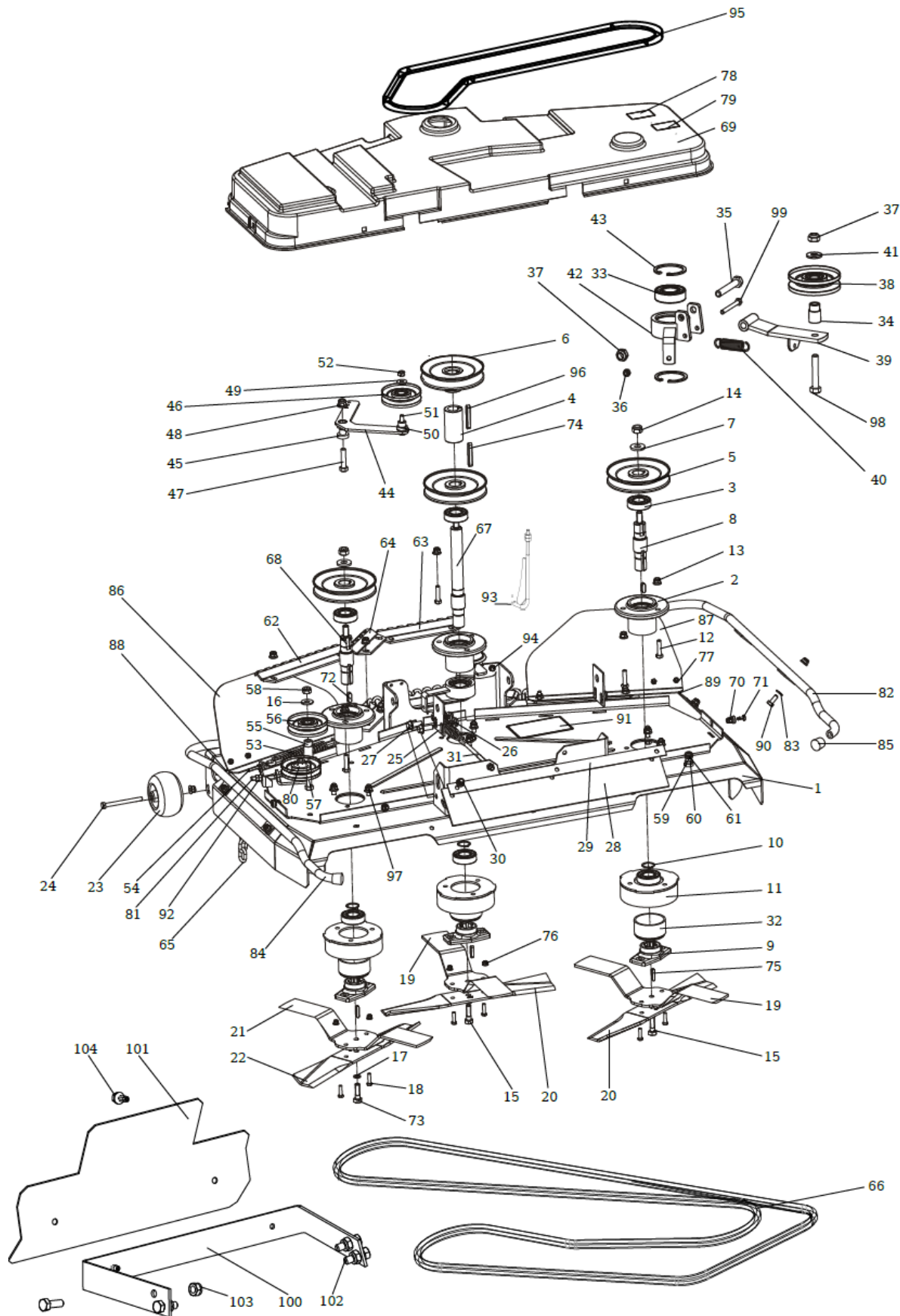
LIST CONTINUES ON NEXT PAGE

Catalogue: BCT4322BCE

Group: Mowing unit

<b>Pos</b>	<b>Quantity</b>	<b>Item number B&amp;S</b>	<b>Description</b>
97	4	NO SVC. NUM.	Nut M 8
98	1	NO SVC. NUM.	Screw M 10x70
99	1	NO SVC. NUM.	Screw M 6x60
100	1	80094527	Holder/110
101	1	80094528	Cover/110
102	4	80086799	Screw M 10X30
103	4	NO SVC. NUM.	Nut M 10
104	2	NO SVC. NUM.	Screw M8x20 DIN 7500D BN 3326

FOR DRAWING SEE NEXT SHEET

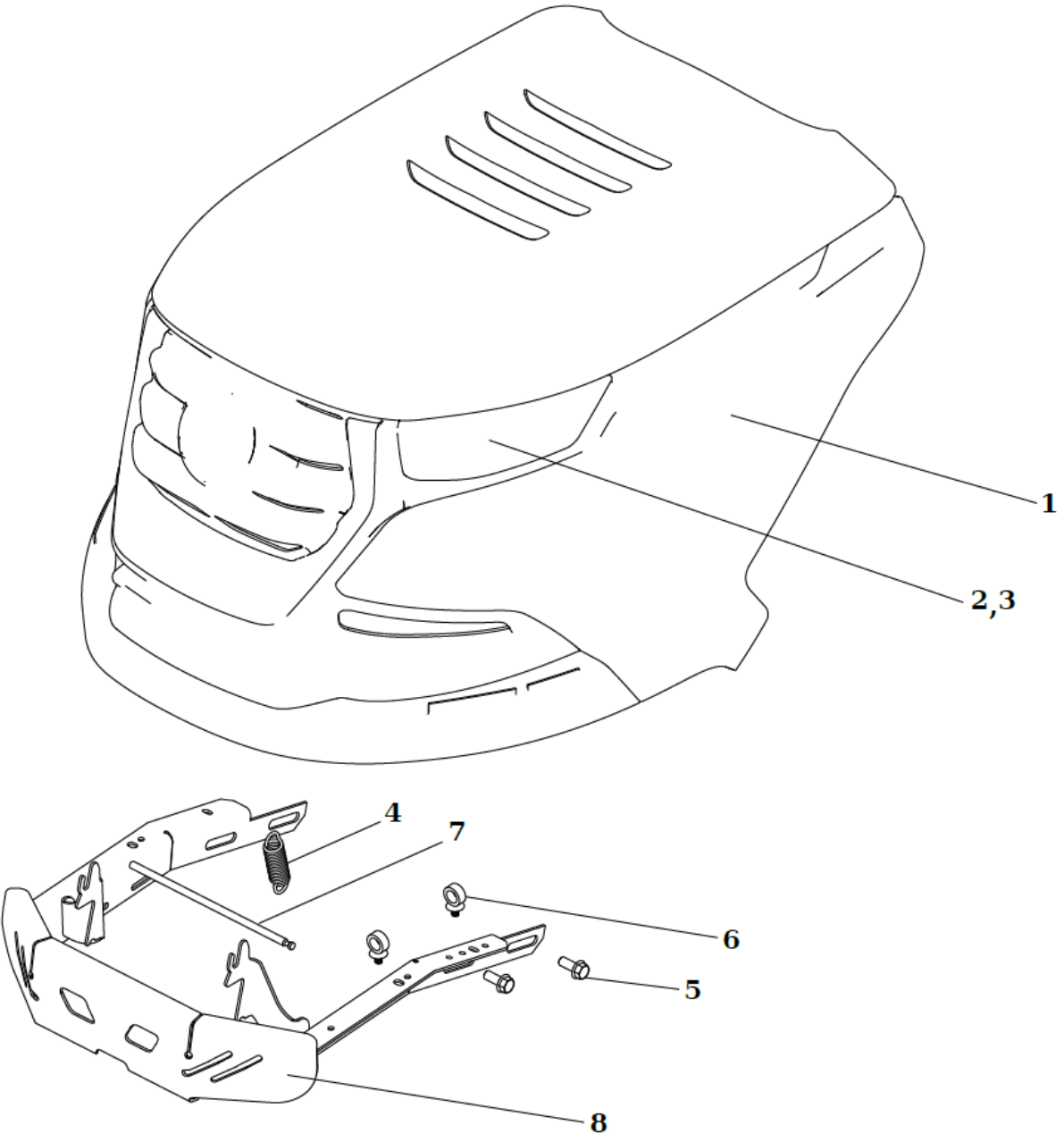


Catalogue: BCT4322BCE

Group: Engine hood

<b>Pos</b>	<b>Quantity</b>	<b>Item number B&amp;S</b>	<b>Description</b>
1	1	80094529	Hood 9-1849-492 TEL/TUZ Q7 ND
2	2	80094530	Halogen lightbulb MR 16 50MM 20
3	1	80094532	Lights connection KS004025
4	1	80094533	Spring 0-9746-472
5	4	NO SVC. NUM.	Screw M 10x25 DIN 6921
6	3	80087354	Clip WSBH 1-0-1
7	1	80094534	Safety bar
8	1	80094536	Bumper UJ Q7 sheet metal

FOR DRAWING SEE NEXT SHEET

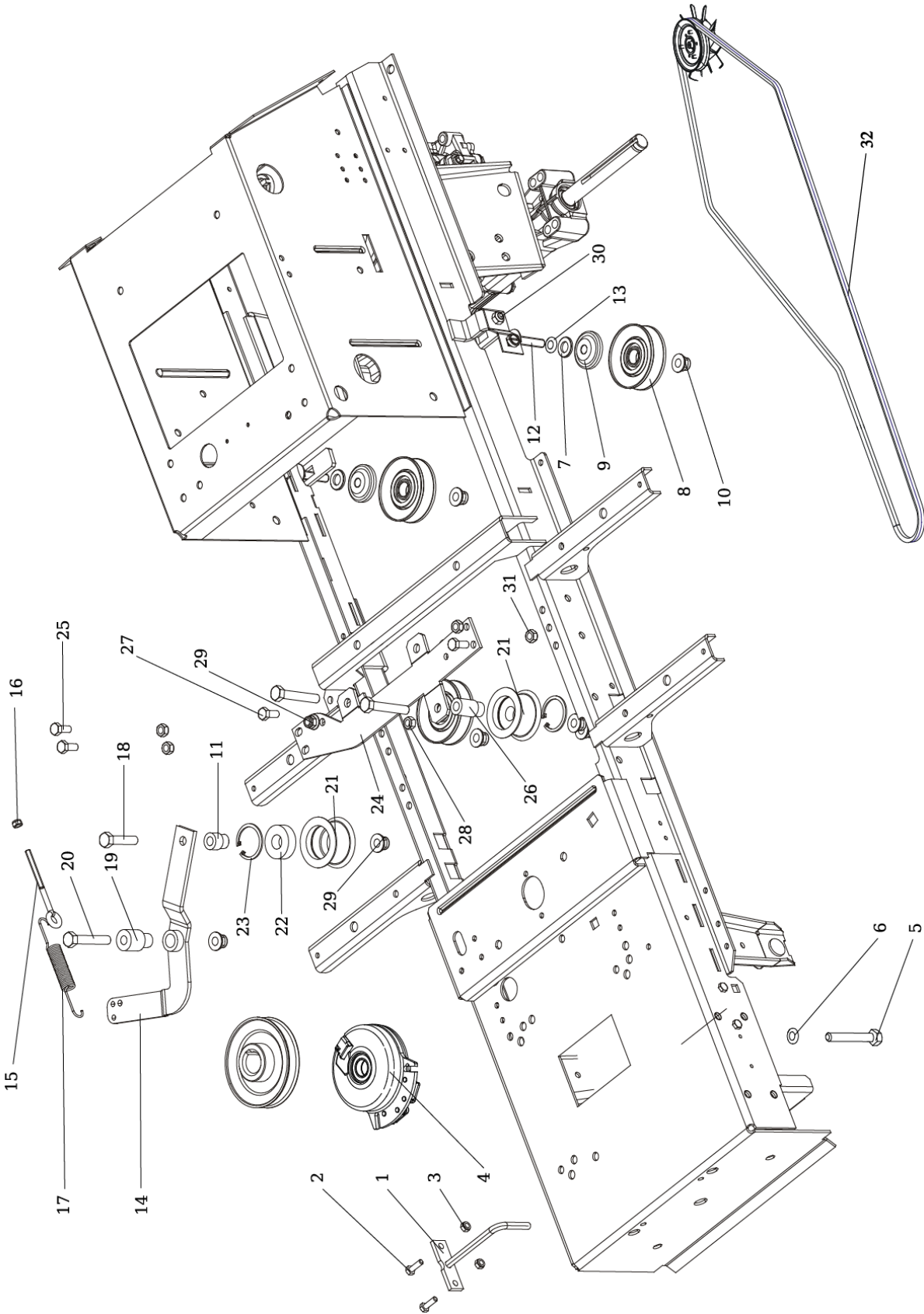


Catalogue: BCT4322BCE

Group: Clutch and pulley

Pos	Quantity	Item number B&S	Description
1	1	80094538	Clutch stopper
2	2	NO SVC. NUM.	Screw M 6X20
3	2	NO SVC. NUM.	Nut M 6 DIN 6926
4	1	80094539	Elmag. clutch I-5217-38
5	1	80094540	Screw UNF 7/16"X3" 10.9 ZINK
6	1	80086790	Washer NL 11 glued Dacromet
7	1	80094541	Washer 10.5
8	3	80094557	Pulley Compensa C-00237/1
9	2	80094542	Cover C-00693 Compensa
10	6	NO SVC. NUM.	Nut M 10 DIN 6926 Zinc
11	1	80094543	Tension pulley case
12	2	80094544	Screw M10X45 021319 Zinc
13	2	80094545	Washer 13
14	1	80094546	Travel-tension holder
15	1	NO SVC. NUM.	Screw M 6x80 with eye BN1006 Zinc
16	1	NO SVC. NUM.	Nut M 6
17	1	80094547	Spring 0-9746-497
18	1	NO SVC. NUM.	Screw M 10x45
19	1	80094549	Bushing
20	3	NO SVC. NUM.	Screw M 10X60
21	2	80094551	Pulley tensioning 9-3325-296
22	1	80094094	Bearing 6203 2 RS C 66 IB
23	1	80094095	Lock ring 40
24	1	80094555	Guide pulley holder
25	4	NO SVC. NUM.	Screw M8X20
26	2	80094066	Bushing
27	1	NO SVC. NUM.	Screw M 8X65
28	1	NO SVC. NUM.	Nut M 8
29	1	NO SVC. NUM.	Nut M 8 DIN 6926 8 Zinc
30	2	NO SVC. NUM.	Screw M8X16
31	6	NO SVC. NUM.	Nut M 8
32	1	80094537	V-belt VB 13x2640LI Optibelt

FOR DRAWING SEE NEXT SHEET

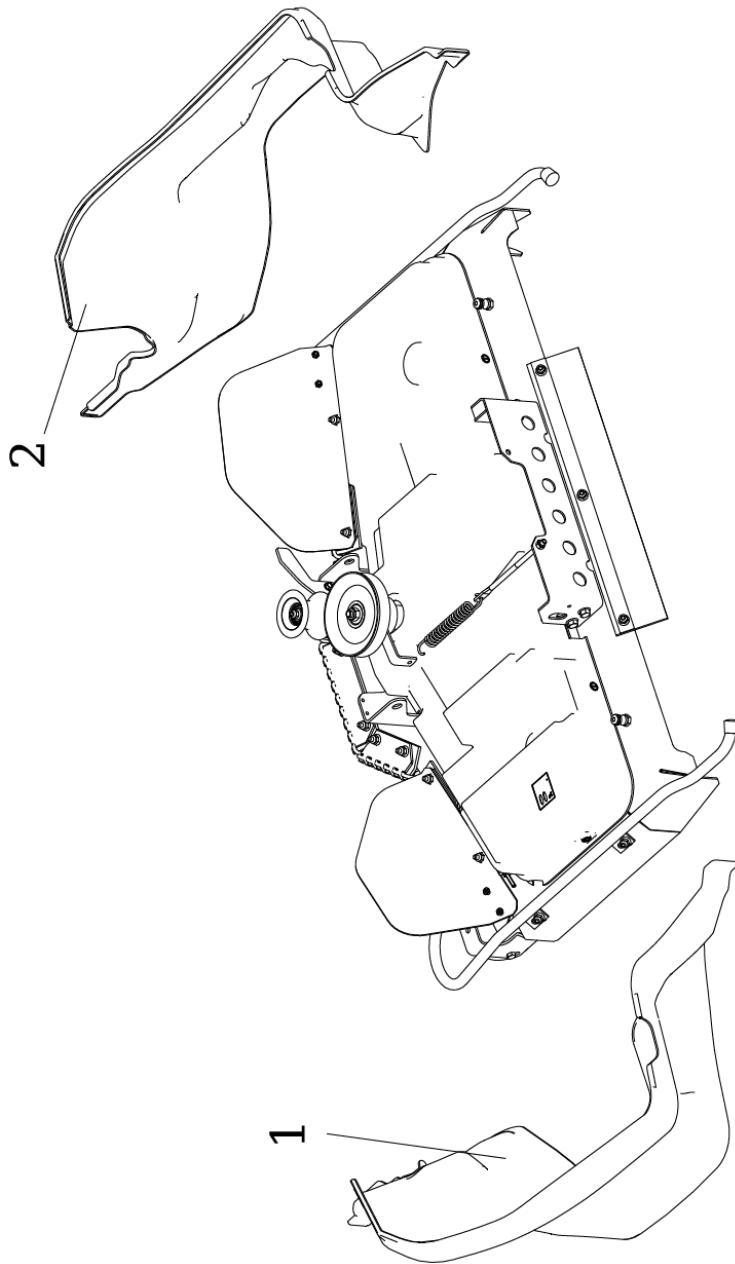


Catalogue: BCT4322BCE  
Group: Moving unit Covers

<b>Pos</b>	<b>Quantity</b>	<b>Item number B&amp;S</b>	<b>Description</b>
1	1	80094561	Belt cover 0-8547-226 L UJ110 Ema
2	1	80094562	Belt cover 0-8547-229 R UJ110 Ema

FOR DRAWING SEE NEXT SHEET





Catalogue: BCT4322BCE

Group: Fuel tank

Pos	Quantity	Item number B&S	Description
1	1	80094563	Fuel tank 0-2766-201 white/exh.UJ
2	1	80094564	Tank holder UJ
3	1	80094566	HOLDER
4	1	80094568	Fuel tank Cap 9-2725-201
5	1	80094570	Fuel hose for NJ, AJ, UJ
6	2	80094571	Clip UM 5008
7	2	NO SVC. NUM.	Screw M 6X20
8	2	NO SVC. NUM.	Nut M 6 DIN 6926
9	1	NO SVC. NUM.	Screw M 8x50 DIN 912 8.8 ZN
10	1	NO SVC. NUM.	Nut M 8
11	2	80094573	Rubber sleeve 28.5x2
12	1	80094574	Label 0-8732-223 Fuel quantity
13	1	80087354	Clip WSBH 1-0-1
14	1	80094576	Washer 0-8530-609

FOR DRAWING SEE NEXT SHEET

