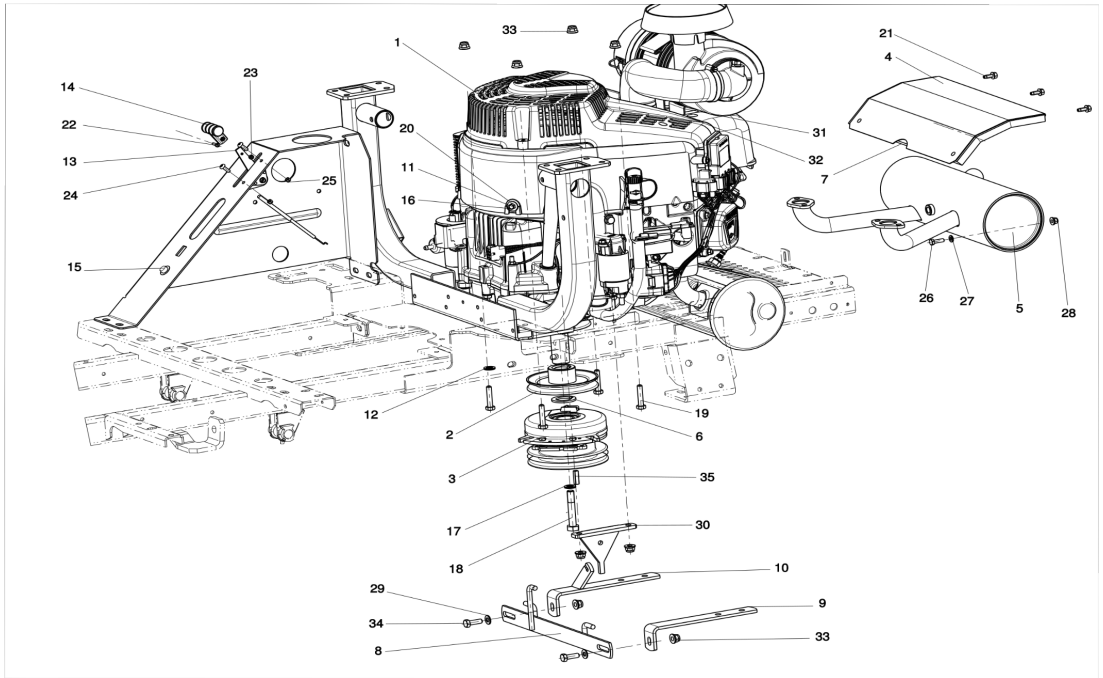




Outback Rider Spare Parts List



Outback Rider Spare parts list for model :
2691744-00 BCR3626VECE



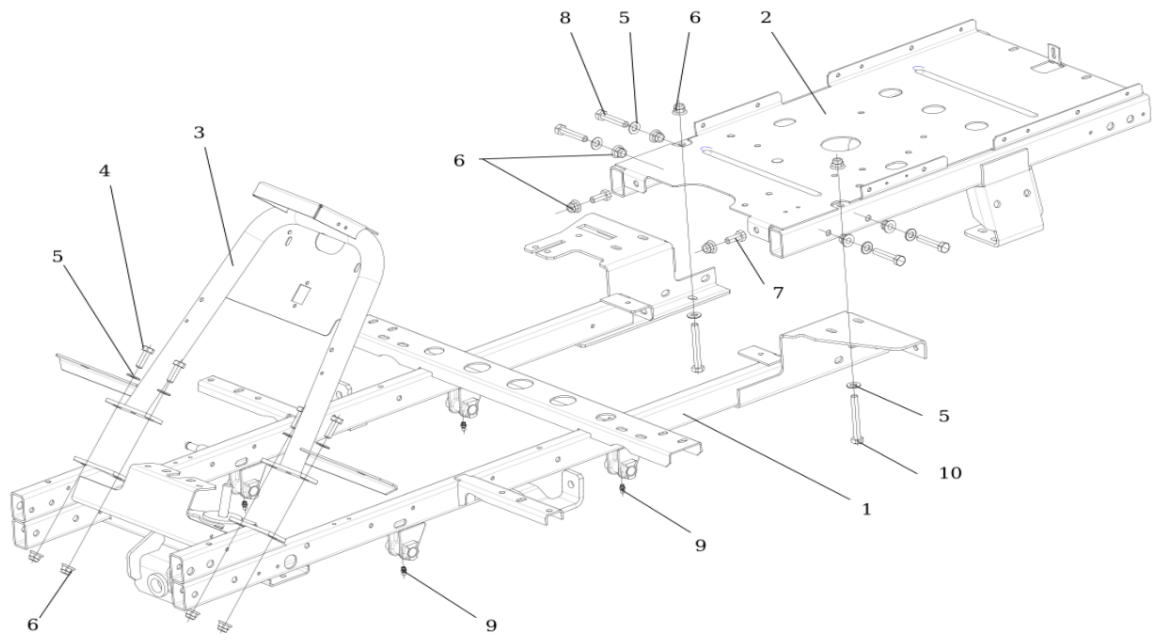
Catalogue:

BCR3626BVECE

Group:

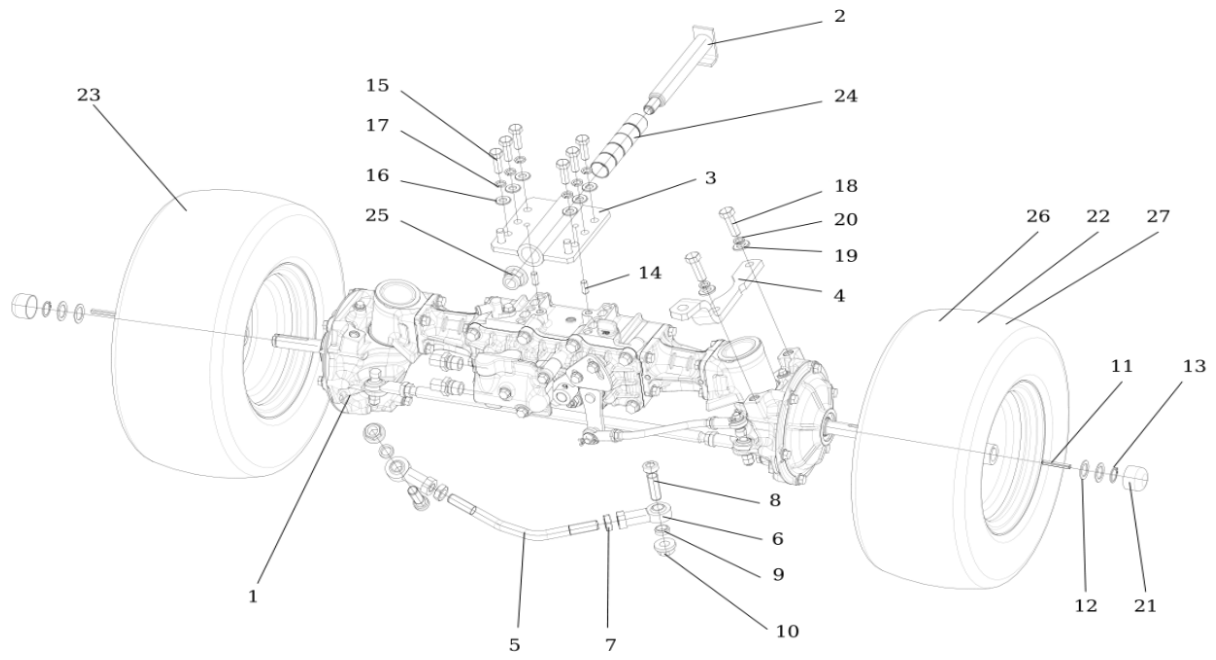
Engine 26HP Vanguard V-TwinEFI49E

Pos.	Quantity	Item number B&S	Description
1	1,00	49E777S01472	Engine 26HP Vanguard V-TwinEFI49E
2	1,00	80086777	Engine pulley 9-3325-294 "A"118
3	1,00	80086778	Elmag. clutch Warner IXR12441
4	1,00	80086779	Exhaust cover
5	1,00	80086780	Exhaust EFI
6	1,00	80086781	Washer
7	1,00	80086782	Exhaust izolation 0-8530-211 EFI
8	1,00	80086783	Limiter compl.
9	1,00	80086784	Washer
10	1,00	80086785	Washer compl.
11	1,00	n.a.	Nut W1/4-20 Unc Zinc.
12	4,00	80086786	WASHER 10 RIPP LOCK
13	1,00	80086787	Throttle lever 9-8071-281 GC
14	1,00	80086788	Throttle lever 0-8060-239
15	1,00	80086789	Blind flange BS 11/15 black
16	1,00	n.a.	Washer 6
17	1,00	80086790	Washer NL 11 glued Dacromet
18	1,00	80086791	Screw 7/16"-20x2.5 DIN 931
19	4,00	80086792	Screw M 8X40
20	1,00	n.a.	Screw M 8x16 DIN 7500 D BN3326
21	3,00	n.a.	SCREW M 6X16 DIN 7500D BN 3326
22	1,00	n.a.	Screw M 4X14 021131.25
23	1,00	n.a.	Nut M4
24	2,00	n.a.	Screw M 5x16 ISO 7380 8.8
25	2,00	n.a.	Nut M 5 DIN 6926 Zinc
26	1,00	n.a.	Screw M 6X20
27	1,00	n.a.	Washer 6.4
28	1,00	n.a.	Nut M 6 DIN 6923 8 Zinc. toothed
29	2,00	n.a.	Washer 8.4
30	1,00	80086793	Clutch stopper
31	1,00	80086794	Tank holder EFI
32	2,00	n.a.	Screw M 8x16 DIN 7500 D BN3326
33	8,00	n.a.	Nut M 8 DIN 6926 8 Zinc
34	4,00	n.a.	Screw M 8X25
35	1,00	80086795	Key 0-9231-213



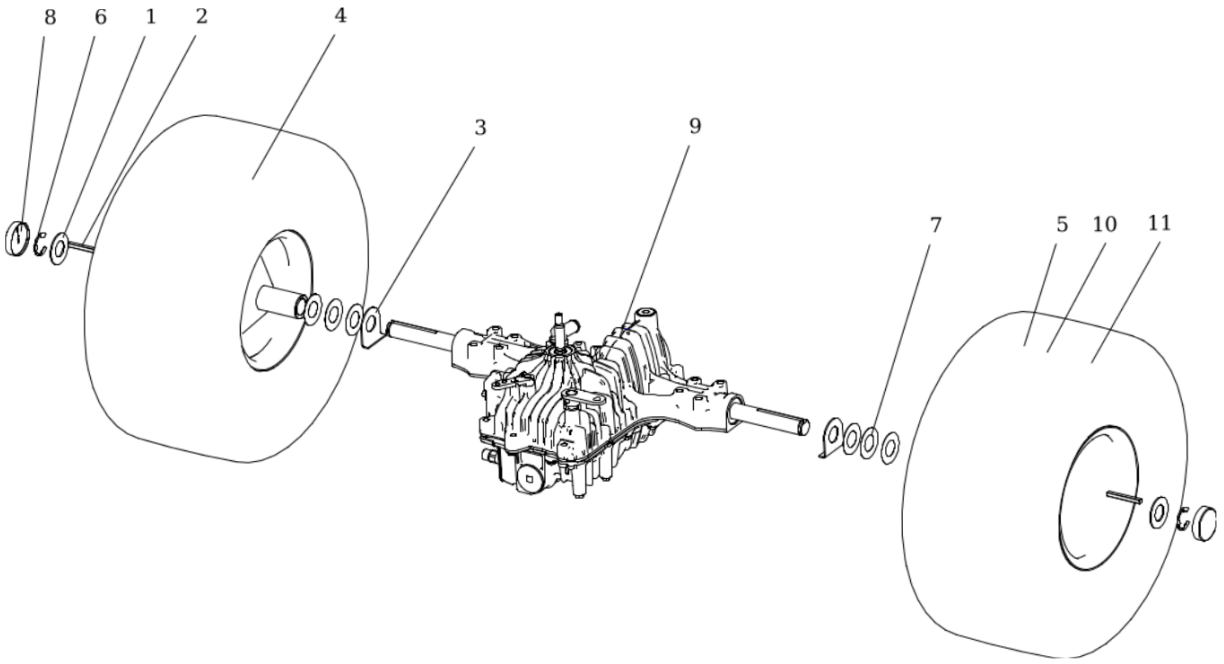
Catalogue: BCR3626BVECE
Group: Front axle

Pos.	Quantity	Item number B&S	Description
1	1,00	80086806	Axle front KXH 10N
2	1,00	80086807	Pin complete
3	1,00	80086808	Axle holder complete
4	1,00	80086809	Steering lever
5	1,00	80086810	Control bar GC
6	2,00	80086811	Joint head PHS 14 REX
7	2,00	80086812	Nut M 14
8	2,00	80086813	Screw
9	2,00	80086814	Spacer
10	2,00	80086815	Nut M 14 RIPP DIN 6923
11	2,00	80086816	Spring 0-9231-223
12	4,00	80086817	Washer
13	2,00	80086818	Lock ring E-75 3/4
14	2,00	n.a.	Pin 8X20 A
15	6,00	n.a.	Screw M10x30 DIN 933-10.9
16	6,00	n.a.	Washer 10.5
17	6,00	n.a.	Washer 10
18	2,00	n.a.	Screw M12x35 DIN 933-10.9
19	2,00	n.a.	Washer 13
20	2,00	n.a.	Washer 12
21	2,00	80086819	Cover 32X25 Vinyl-Flex
21	1,00	80086820	Wheel front L 16x6.50-8 TRAC MAST
23	1,00	80086821	Wheel front R 16x6.50-8 TRAC MAST
24	5,00	80086822	Bearing bushing WSM-2528-25W300
25	1,00	n.a.	Nut M 16 DIN 6926
26	2,00	80086823	Tyre 16X6.50-8 CROSS 4X4
27	2,00	80086824	Wheel disk 5.50x8 front Cross 4x4



Catalogue: BCR3626BEVECE
Group: Chassis

Pos.	Quantity	Item number B&S	Description
1	1,00	80086796	Chassis devided GC
2	1,00	80086797	Engine chamber GC
3	1,00	80086798	Steering wheel-brace
4	4,00	80086799	Screw M 10X30
5	10,00	n.a.	Washer 10.5
6	12,00	n.a.	Nut M 10 DIN 6926 Zinc
7	2,00	n.a.	Screw M 10X25
8	4,00	80086803	Screw M 10x55
9	1,00	n.a.	Lubricating head MK 6x1
10	2,00	80086805	Screw M 10X80



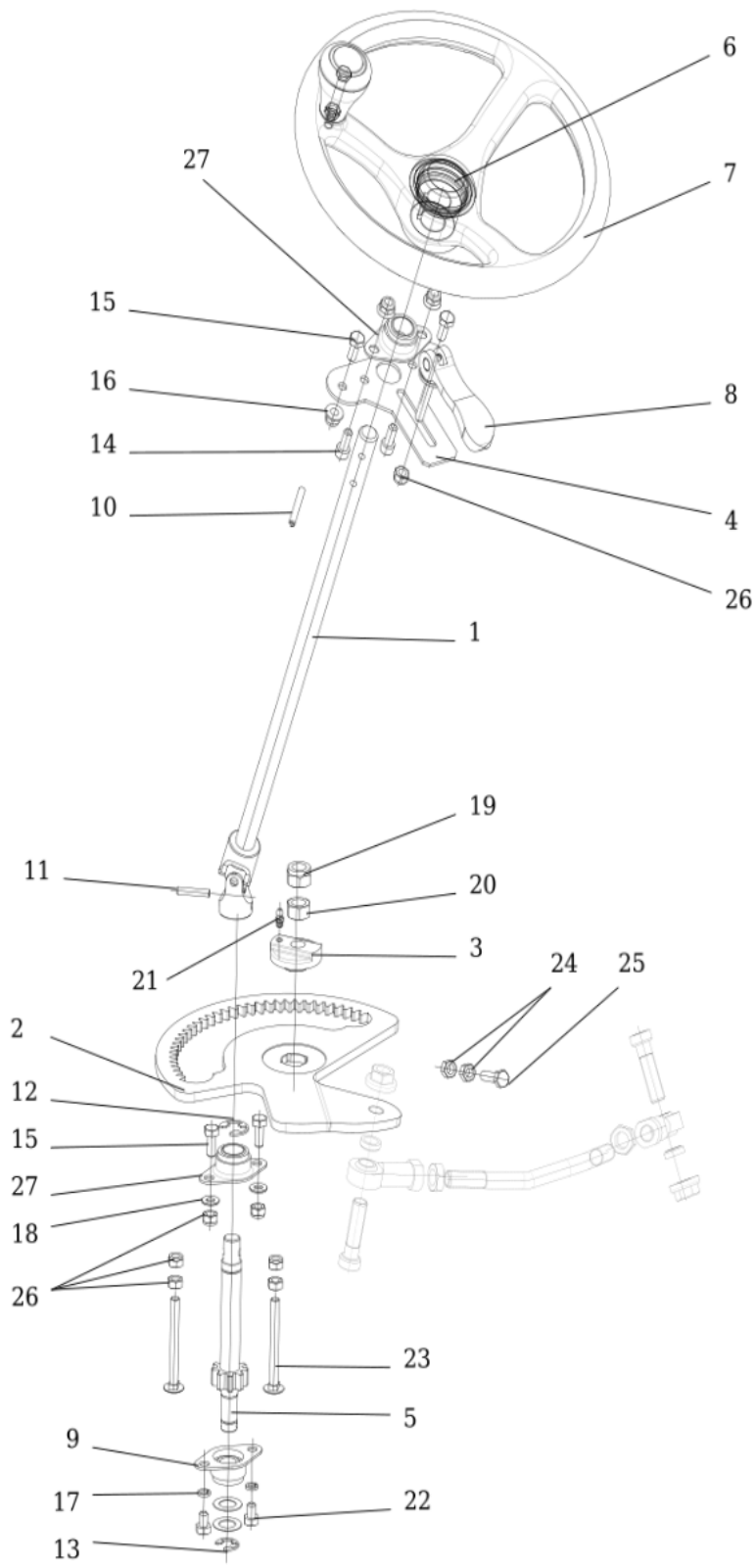
Catalogue:

BCR3626BVECE

Group:

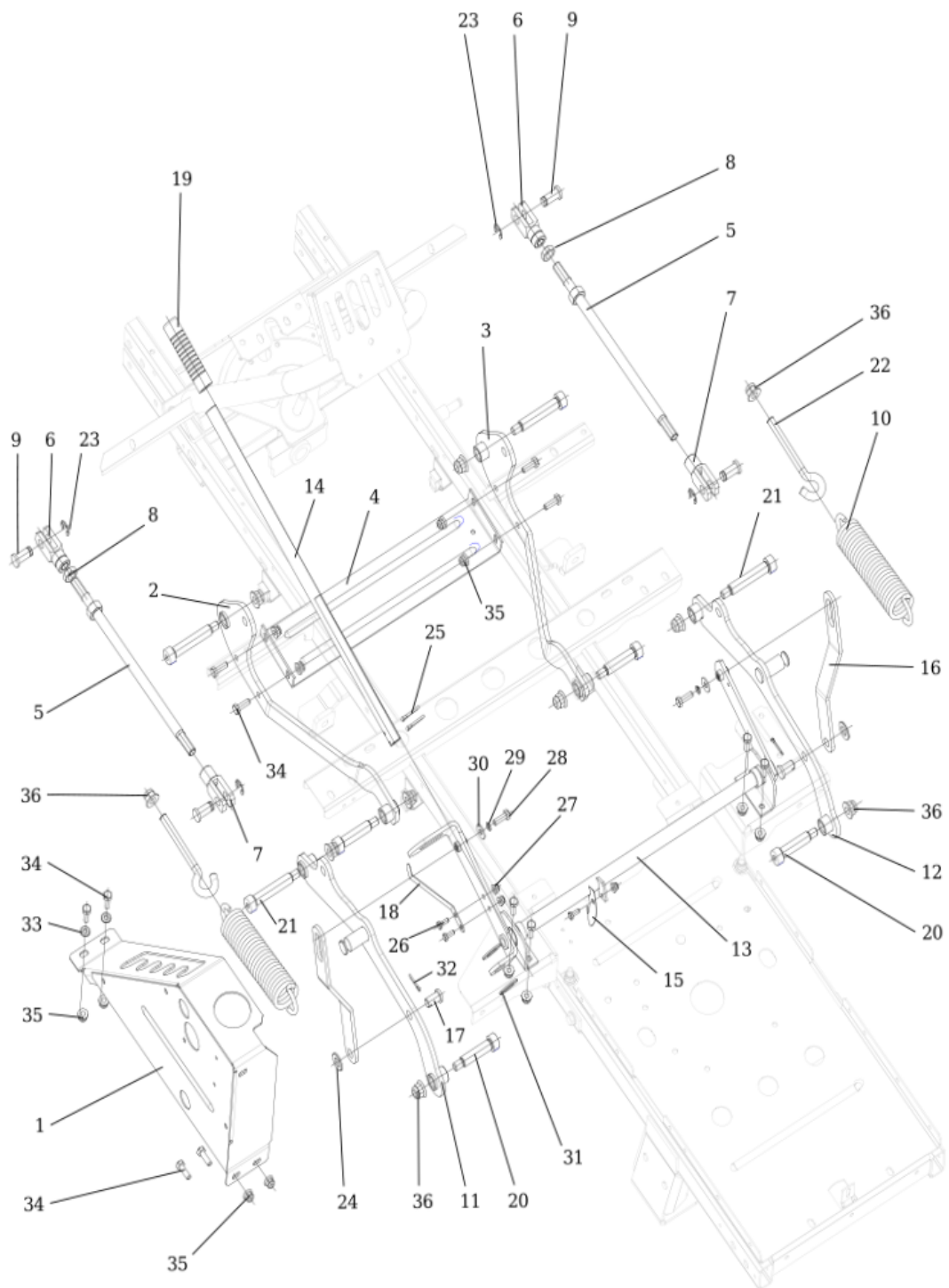
Rear axle

Pos.	Quantity	Item number B&S	Description
1	2,00	80086825	washer
2	2,00	80086826	Key 0-9231-224
3	2,00	80086827	Washer
4	1,00	80086828	Wheel rear L 20x10.00-8 TRAC MAST
5	1,00	80086829	Wheel rear R 20x10.00-8 TRAC MAST
6	2,00	80086830	Lock ring SE-98 1
7	8,00	80086831	Washer
8	2,00	80086832	Cap 0-8025-201 49x25
9	1,00	80086833	Transmission K664 E Tuff Torq
10	2,00	80086834	Wheel disc rear 7.00IX8H2 OTR 202
11	2,00	80086835	Tyre 20X10.00-8 CROSS 4X4



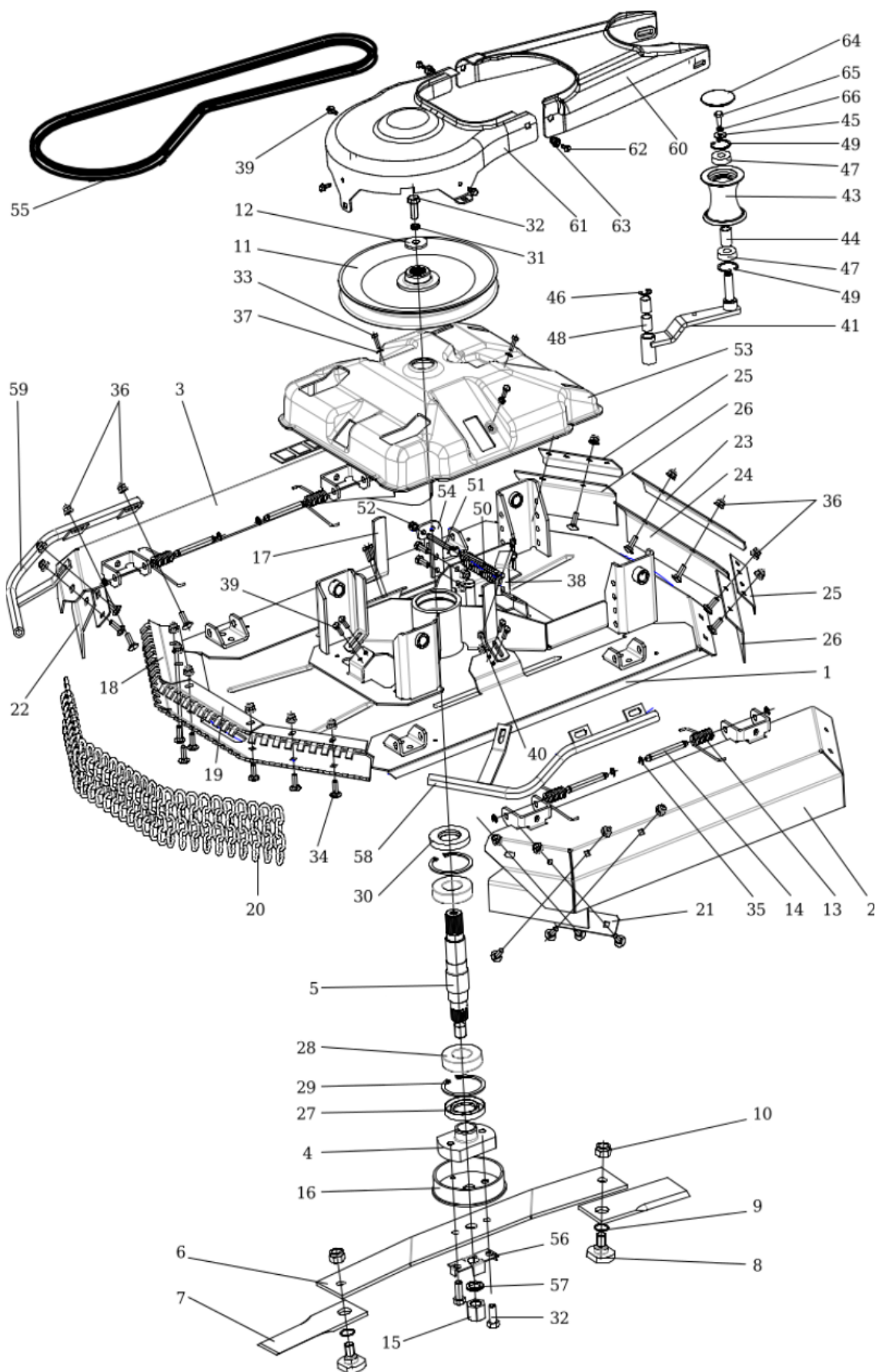
Catalogue: BCR3626BVECE
Group: Mowing lifting

Pos.	Quantity	Item number B&S	Description
1	1,00	80086846	Mowing lifting gate compl.
2	1,00	80086800	Arm front compl. left
3	1,00	80086801	Arm front compl. right
4	1,00	80086802	Front arms reinforcement
5	1,00	80086804	Coupling
6	1,00	80086927	Fork left
7	1,00	80086928	Fork right
8	1,00	80086929	Nut M 14x1.5 L DIN 439
9	4,00	80086930	Coupling pin
10	2,00	80086931	Spring TZ 27/1/1 1.1200
11	1,00	80086932	Arm rear left
12	1,00	80086933	Arm rear right
13	1,00	80086934	Cutting lifting
14	1,00	80086935	Mowing-lifting lever
15	1,00	80086936	Mowing switch spring
16	2,00	80086937	Mowing arm
17	2,00	80086938	Cutting carrier-pin
18	1,00	80086939	Lifting-lever spring
19	1,00	80086940	Handle SUNAP 319A-035-20
20	4,00	80086941	Screw 16/M12-60 BN 1359
21	4,00	80086942	Screw pr.16/M12-80 BN1359
22	2,00	80086943	Hook M 12x100 Zn
23	4,00	n.a.	Lock ring 12
24	2,00	n.a.	Washer 21
25	2,00	n.a.	Split pin 4X40
26	3,00	n.a.	Screw M 6X20
27	3,00	n.a.	Nut M 6 DIN 6926
28	2,00	n.a.	Screw M 8X25
29	2,00	n.a.	Washer 8
30	2,00	n.a.	Washer 9 Zinc
31	2,00	n.a.	Washer 15
32	2,00	n.a.	Spindle 3.2x25
33	2,00	n.a.	Washer 8.4
34	16,00	n.a.	Screw M 8X25
35	12,00	n.a.	Nut M 8 DIN 6926 8 Zinc
36	10,00	n.a.	Nut M 12 DIN 6926



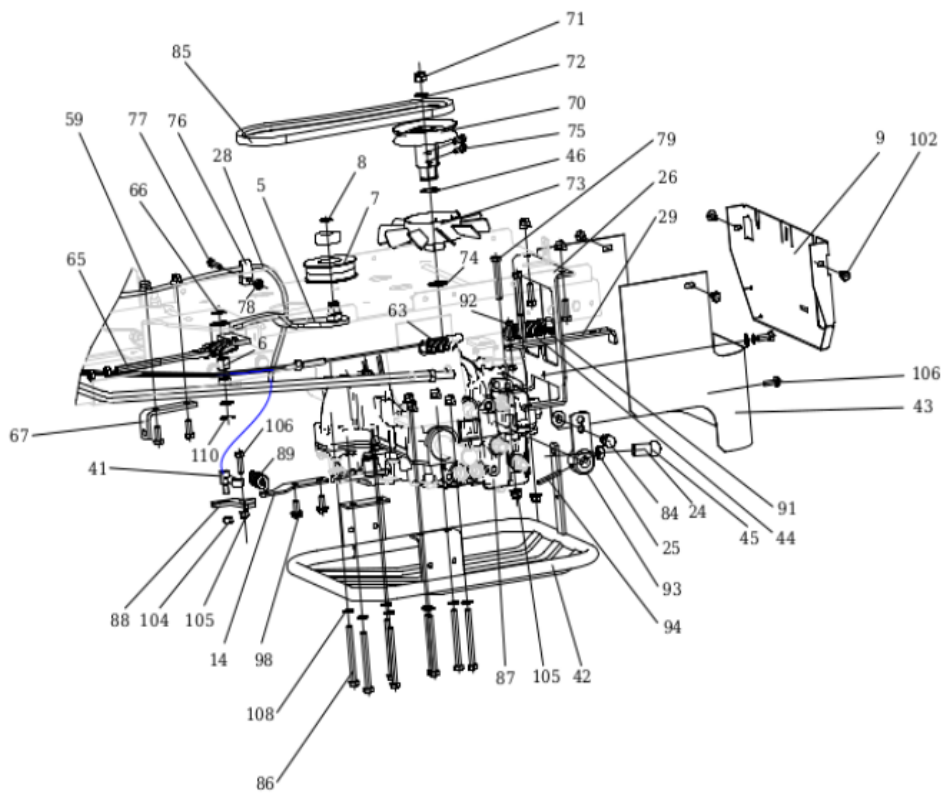
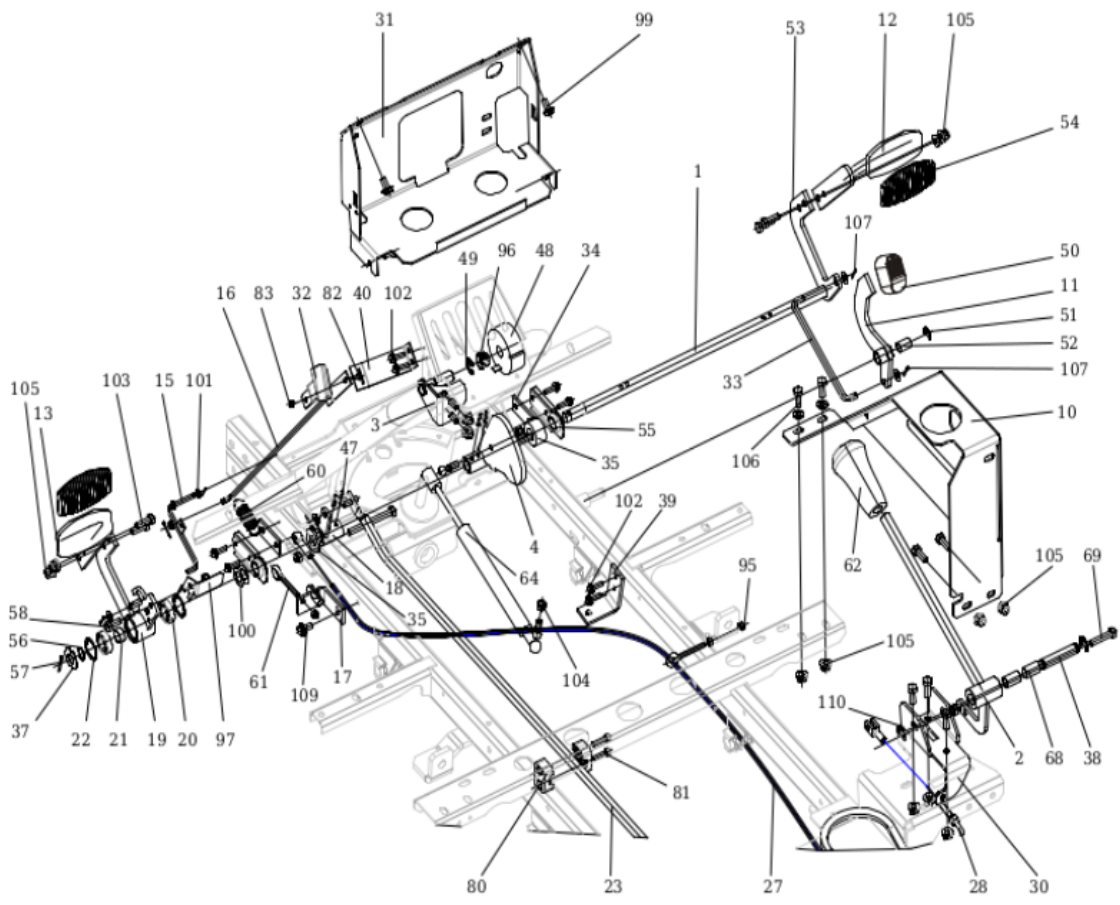
Catalogue: BCR3626BVECE
Group: Steering

Pos.	Quantity	Item number B&S	Description
1	1,00	80086836	Steering wheel-shaft compl.
2	1,00	80086837	Cogged segment
3	1,00	80086838	Eccentric
4	1,00	80086839	Steering wheel guidance
5	1,00	80086840	Pinion complete
6	1,00	80086841	Cover COBO 0047
7	1,00	80086842	Steering wheel Cobo PP031
8	1,00	80086843	Excentric lever 0432-201108X50
9	1,00	80086844	Ball bearing FJW 10
10	1,00	n.a.	Spring pin 6x45
11	1,00	n.a.	Spring pin 6x32
12	1,00	n.a.	Lock ring 15
13	1,00	n.a.	Lock ring 12
14	2,00	n.a.	Screw M 8X20
15	4,00	n.a.	Screw M8X20
16	2,00	n.a.	Nut M 8 DIN 6926 8 Zinc
17	2,00	n.a.	Washer 8
18	3,00	n.a.	Washer 16x28x0.5 DIN 988
19	1,00	n.a.	Nut M 14
20	1,00	n.a.	Nut M14
21	1,00	n.a.	Lubricating head MK 6x1
22	2,00	n.a.	screw M8x12
23	2,00	n.a.	Screw M 8x80 DIN 603
24	4,00	n.a.	Nut M 8
25	1,00	n.a.	Screw M 8X30
26	7,00	n.a.	Nut M 8
27	2,00	80086845	Spherical bearing FLW 12



Catalogue: BCR3626BVECE
 Group: Mowig unit 92cm

Pos.	Quantity	Item number B&S	Description
1	1,00	80086944	Cutting deck 92 GC
2	1,00	80086945	Cover left compl.
3	1,00	80086946	Cover right compl.
4	1,00	80086947	Flange
5	1,00	80086948	Cutting shaft
6	1,00	80086949	Carrier
7	1,00	80086950	Blade pair
8	2,00	80086951	Blade screw
9	2,00	80086952	Ring 22X2
10	2,00	80086953	Nut M 16 Din 985-8-A3E
11	1,00	80086954	Pulley 92
12	1,00	n.a.	Washer
13	4,00	80086955	Spring 0-9746-480
14	4,00	80086956	Pin
15	1,00	80086957	Nut 0-9125-226
16	1,00	80086958	Cap complete
17	3,00	80086959	Limiter
18	2,00	80086960	Chain stopper
19	1,00	80086961	Chain stopper front
20	31,00	80086962	Chain A6/4 . 9-8558-200
21	2,00	80086963	Front shield washer
22	2,00	80086964	Shield frot 0-8542-406
23	1,00	80086965	Rear shield washer 2
24	1,00	80086966	Shield rear 2 0-8532-408
25	2,00	80086967	Shield washer rear 1
26	2,00	80086968	Shield rear 1 0-8532-407
27	1,00	80086969	Shaft seal 45x72x10
28	2,00	80086970	Bearing 6207 2 RS
29	2,00	80086971	Lock ring 72
30	1,00	80086972	Shaft sealing 35x72x10 GP
31	1,00	n.a.	Washer 12
32	3,00	n.a.	Screw M 12X30
33	11,00	n.a.	Screw M6X16
34	20,00	n.a.	Screw M8x25 Zinc
35	8,00	n.a.	Lock ring 7
36	23,00	n.a.	Nut M 8 DIN 6926 8 Zinc
37	9,00	n.a.	Washer 6.4
38	1,00	80086973	Tension pulley-backstop
39	14,00	n.a.	SCREW M 6X16 DIN 7500D BN 3326
40	2,00	n.a.	Nut M 6 DIN 6926
41	1,00	80086974	Pulley holder
42	1,00	80086975	Shaft
43	1,00	80086976	Pulley
44	1,00	80086977	Spacer
45	2,00	n.a.	Washer 9 Zinc
46	2,00	n.a.	Lock ring 35
47	2,00	80086978	Bearing 6202 A 2Rs
48	2,00	80086979	Bushing 1625 KU
49	1,00	n.a.	Lock ring 12
50	1,00	80086980	Spring 0-9746-490
51	1,00	80086981	Screw 0-9016-454
52	2,00	n.a.	Screw M 8X25
53	1,00	80086982	Cover 0-8540-652 plastic
54	1,00	80086983	Stretcher backstop
55	1,00	80086984	V-belt 5L 690 Roflex Garden
56	1,00	80087217	Washer
57	1,00	80087218	Washer NL 20 glued Zinc
58	1,00	80087219	Reinforcement left
59	1,00	80087220	Reinforcement right 92
60	1,00	80087221	Pulley cover 0-8540-203 GC
61	1,00	80087222	Belt cover 0-8540-204 GC
62	2,00	80087223	Seating D7-201-802-010
63	2,00	80087224	Pin D7-201-711-010
64	1,00	80087225	Cap GPN 910/0715
65	1,00	n.a.	Screw M8X20
66	1,00	n.a.	Washer 13.5

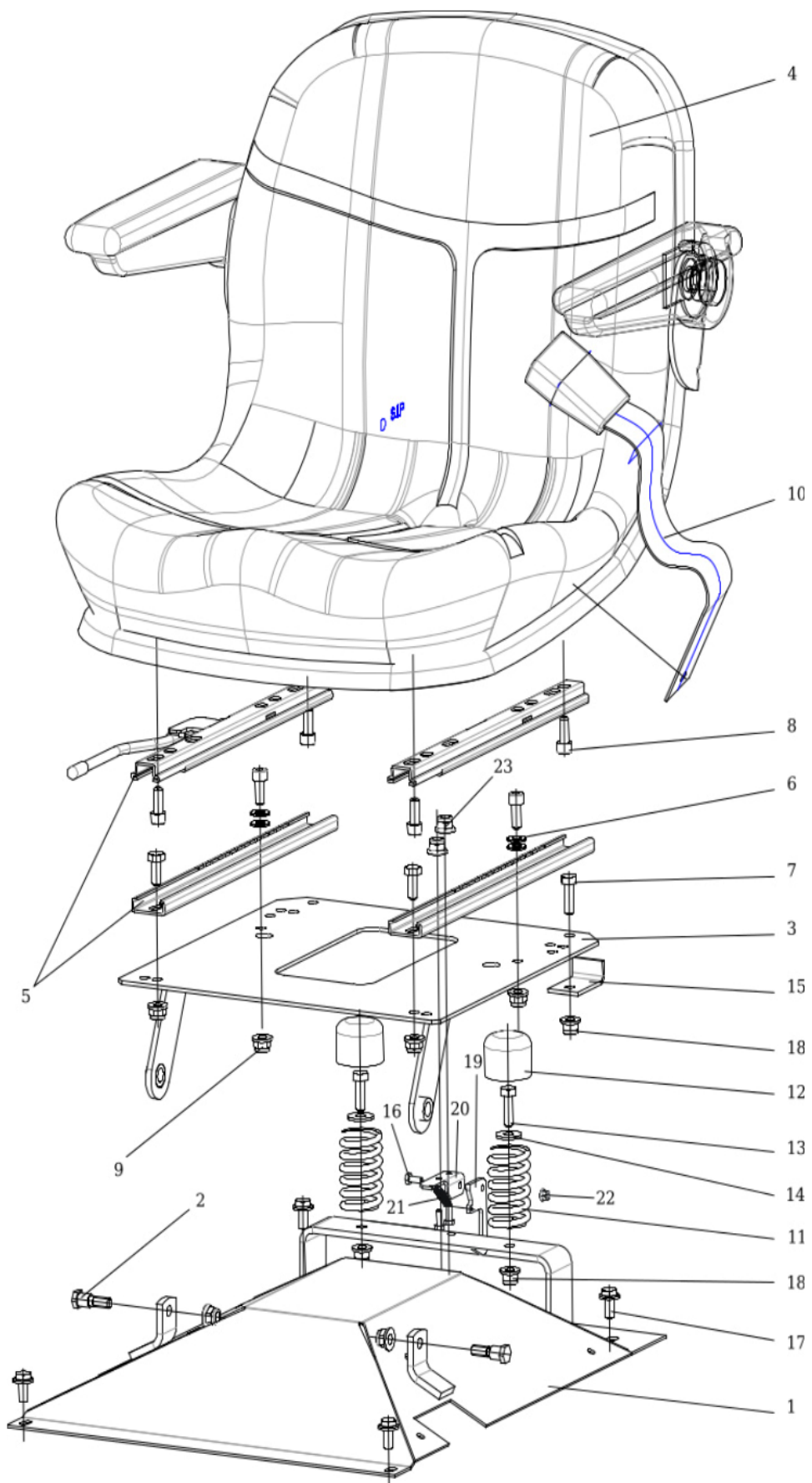


Catalogue:
Group:

BCR3626BVECE
Drive and brake controle

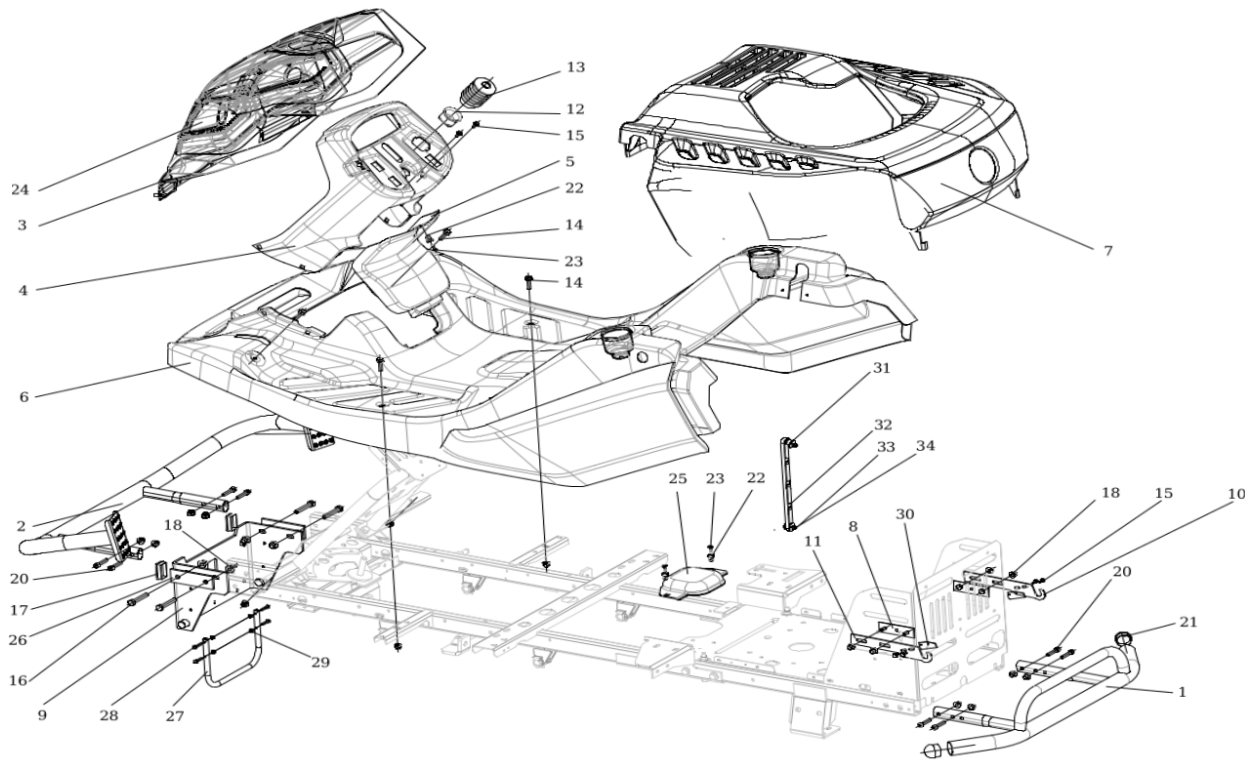
Pos.	Quantity	Item number B&S	Description
1	1,00	80087226	Drive shaft
1	1,00	80087227	Reverse pedal
2	1,00	80087228	Lever
3	1,00	80087229	Cruise control-holder compl.
4	1,00	80087230	Cruise control lever
5	1,00	80087231	Pulley holder
6	2,00	80087232	Bushing 1615 KU Teflon
7	1,00	80087233	Pulley F3000-0750 metal
8	1,00	80087234	Lock ring I7
9	1,00	80087235	Cover rear complete
10	1,00	80087236	Gas holder compl.
12	1,00	80087237	Travel pedal complete
13	1,00	80087238	Brake pedal complete
14	1,00	80087239	Differential stopper
15	1,00	80087240	Brake-arrestment lever
16	1,00	80087241	Brake rod 0-8044-204
17	1,00	80087242	Brake cable-stopper
18	1,00	80087243	Travel lever complete
19	1,00	80087244	Brake pedal
20	2,00	80087245	Bearing 6002 2RS
21	1,00	80087246	Spacer ring
22	2,00	80087247	Safety ring 32
23	1,00	80087248	Travel tie rod
24	1,00	80087249	Ball bushing 16DIN71805B ZnBN489
25	1,00	n.a.	Nut M 10
26	1,00	80087250	Brake springs-holder
27	1,00	80087251	Cable connection 9-8074-328
28	1,00	80087252	Diff-lock bowden 9-8074-331 GC
29	1,00	80087253	Tie rod
30	1,00	80087254	Lever holder DIF
31	1,00	80087255	Battery holder
32	1,00	80087256	P.brake handle 9-MTD-299
33	1,00	80087257	Reverse rod 0-9244-225
34	2,00	80087258	Bearing washer
35	1,00	80087259	Spacer
36	1,00	80087260	Spacer
37	1,00	80087261	Bearing cap
38	1,00	80087262	Pin
39	1,00	80087263	Dumper holder
40	1,00	80087264	Brake tie rod guidance
41	1,00	80087265	Hawsepipe of diff-lock
42	1,00	80087266	Safety frame
43	1,00	80087267	Deflector GC
44	3,00	80087268	Spring 0-9746-487
45	1,00	80087269	SAFETY U - STRAP 16 DIN 71805 S Z
46	1,00	80087270	Ring 28x1,5 NBR DIN3770
47	6,00	80087271	Spring pin 5x26 ISO 8478
48	1,00	80087272	El.Magnet.Rate 9-8032-214
49	1,00	n.a.	Lock ring 12
50	1,00	80087273	Pedal cover 0-8832-234
51	1,00	80087274	SAFETY RING 9
52	1,00	80087275	Bearing bushing PSM 1214-20
53	1,00	80087276	Drive pedal
54	1,00	80087277	Pedal coating 273 151 010 160
55	2,00	80087278	Bearing FM 14M16
56	1,00	n.a.	Lock ring I5
58	1,00	n.a.	Screw M 10x70
59	2,00	n.a.	Nut M 8
60	2,00	80087279	Spring TZ 1.6x14.4x56x20 Zinc
61	1,00	80087280	Screw M 6x50 with eye BN1006 Zinc
62	1,00	80087281	Handle 1066 16 black
63	1,00	80086980	Spring 0-9746-490
64	1,00	80087282	Damper 621 100 004
65	1,00	80087283	Eye with metric thread M8x140 ZN
66	2,00	n.a.	Washer 16X22X1 DIN 988 L 07
67	1,00	80087284	Spring holder
68	2,00	80087285	Bearing bushing PSM 1416-25
69	1,00	n.a.	Screw M 8X40
70	1,00	80087286	Travel pulley
71	3,00	n.a.	Nut M 10
72	1,00	n.a.	Washer 10.5
73	1,00	80087287	Cooling fan 4X4
74	1,00	80087288	Safety ring 26
75	2,00	n.a.	Screw M 6X20 DIN 912 8.8 ZINK
76	1,00	80087289	Clip ROP 315X serie 0 18
77	1,00	n.a.	Screw M 6x40
78	1,00	n.a.	Nut M 6 DIN 6926

79	2,00	n.a.	Screw M5x35
80	1,00	80087290	Tube holder
81	2,00	n.a.	Screw M 6x25
82	1,00	n.a.	Screw M 5X12
83	1,00	n.a.	Nut M 5 DIN 6926 Zinc
84	1,00	80087291	Angular joint 16DIN71802 CS M10 R
85	1,00	80087292	V-Belt 13X830 LP OPTIBELT
86	8,00	n.a.	Screw M8x80
87	1,00	80086833	Transmission K664 E Tuff Torq
88	1,00	80087293	Foot complete
89	1,00	80087294	Spring 0-9746-493 Diff.lock
90	1,00	n.a.	Not used in this performance
91	1,00	80087295	Spring TZ 080.088.0312 Zinc
92	1,00	n.a.	Screw M 6X20
93	1,00	80087296	LEVER - COMPLETE
94	1,00	n.a.	Spring pin 6X40
95	2,00	n.a.	Nut M6
96	1,00	80087297	Spring 0-9746-488
97	1,00	80087298	Spring
98	2,00	n.a.	Screw M8x20 DIN 7500D BN 3326
99	5,00	n.a.	Screw M 8x16 DIN 7500 D BN3326
100	3,00	n.a.	Washer 16x28x0.5 DIN 988
101	1,00	n.a.	Washer 6.4
102	13,00	n.a.	SCREW M 6X16 DIN 7500D BN 3326
103	4,00	n.a.	Screw M8X20
104	6,00	n.a.	Nut M 8
105	29,00	n.a.	Nut M 8 DIN 6926 8 Zinc
106	16,00	n.a.	Screw M 8X25
107	7,00	n.a.	Spindle 2x20
108	15,00	n.a.	Washer 8.4
109	2,00	n.a.	Nut M 6
110	1,00	n.a.	Lock ring 28



Catalogue: BCR3626BEVECE
Group: Hood n.1

Pos.	Quantity	Item number B&S	Description
1	1,00	80087299	Cover
2	2,00	80087300	Carrier screw
3	1,00	80087301	Seat carrier
4	1,00	80087302	Seat COBO GT-75 E8096.039
5	1,00	80087303	Mechanism Cobo sliding
6	4,00	n.a.	Washer 8.4
7	2,00	n.a.	Screw M8X20
8	6,00	n.a.	Screw M 8X20
9	4,00	n.a.	Nut M 8 DIN 6926 8 Zinc
10	1,00	80087304	Safety belt A 5073.019
11	2,00	80087305	Spring 0-9746-503
12	2,00	80087306	Cover 38/A PVC Black
13	3,00	n.a.	Screw M 8X25
14	2,00	n.a.	Washer 9 Zinc
15	1,00	80087307	Seat backstop
16	3,00	n.a.	Screw M6X16
17	4,00	n.a.	Screw M 8x16 DIN 7500 D BN3326
18	6,00	n.a.	Nut M 8 DIN 6926 8 Zinc
19	1,00	80087308	Hook
20	1,00	80087309	Footing
21	1,00	80087295	Spring TZ 080.088.0312 Zinc
22	1,00	n.a.	Nut M 6
23	2,00	n.a.	Nut M 6 DIN 6926



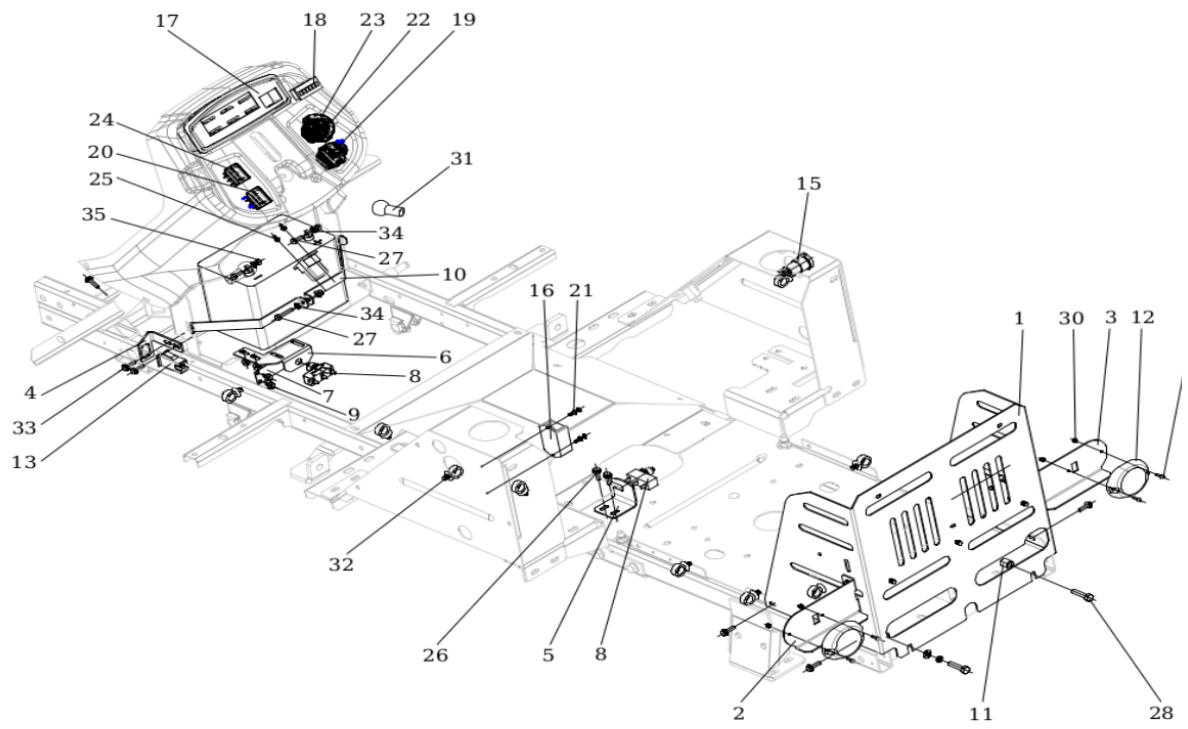
Catalogue:

BCR3626BVECE

Group:

Hood nr.2 - RAL6032

Pos.	Quantity	Item number B&S	Description
1	1,00	80087310	Bumper rear
2	1,00	80087311	Bumper front
3	1,00	80087312	Hood front 9-1849-473 RAL 6032
4	1,00	80087313	Panel 0-8048-271
5	1,00	80087314	Battery cover 0-1847-218 RAL6032
6	1,00	80087315	Foot floor 9-1847-303 RAL6032
7	1,00	80087316	Engine cover compl. 9-1847-302 M49
8	2,00	80087317	Clip
9	1,00	80087318	Cover complete
10	1,00	80087319	Hood-frame holder
11	1,00	80087319	Hood-frame holder
12	1,00	80087320	Duster holder 0-1847-460
13	1,00	80087321	Steering wheel cover
14	4,00	n.a.	Screw M 8X30 DIN 6921 8.8 Zinc
15	6,00	n.a.	SCREW M 6X16 DIN 7500D BN 3326
16	4,00	n.a.	Screw M 10X60
17	2,00	80087322	Blind flange 50x30x3 black
18	4,00	n.a.	Nut M 10 DIN 6926 Zinc
19	16,00	n.a.	Nut M 8 DIN 6926 8 Zinc
20	8,00	80087323	Screw M 8x40
21	2,00	80087324	Dished plug 40mm
22	14,00	80087223	Seating D7-201-802-010
23	14,00	80087224	Pin D7-201-711-010
24	1,00	80087325	Cover glas for reflector
25	1,00	80087326	Pulley cover 0-8540-653
26	1,00	80087676	Washer
27	1,00	80087327	Safety tube
28	4,00	n.a.	Screw M 8X35
29	4,00	n.a.	Nut M 8
30	2,00	80087328	Stopper
31	1,00	80087329	Rubber tension ladder
32	2,00	80087330	Tension pin 24x19 MM
33	2,00	n.a.	Screw M 5X25
34	2,00	n.a.	Nut M 5 DIN 6926 Zinc



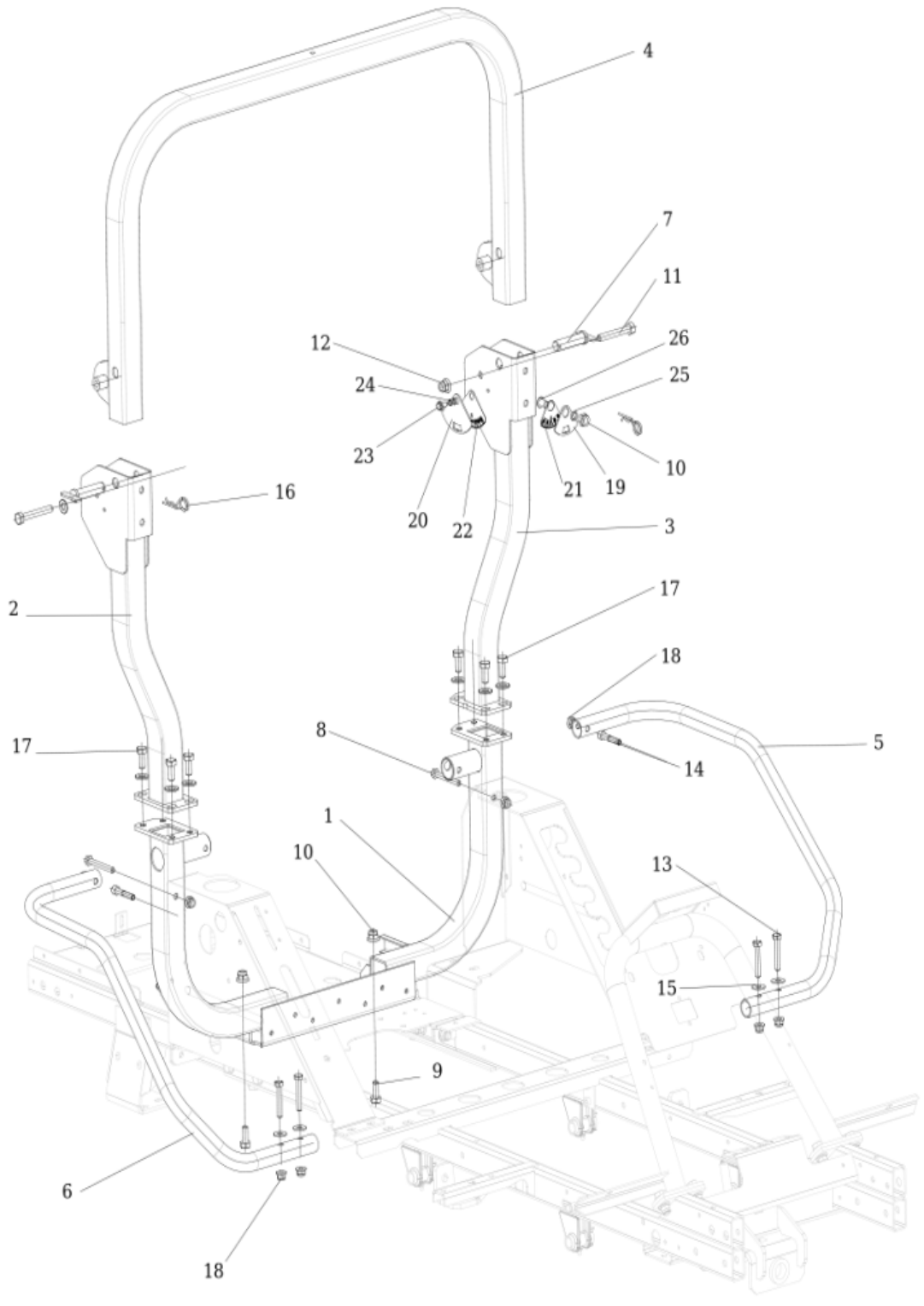
Catalogue:

BCR3626BVECE

Group:

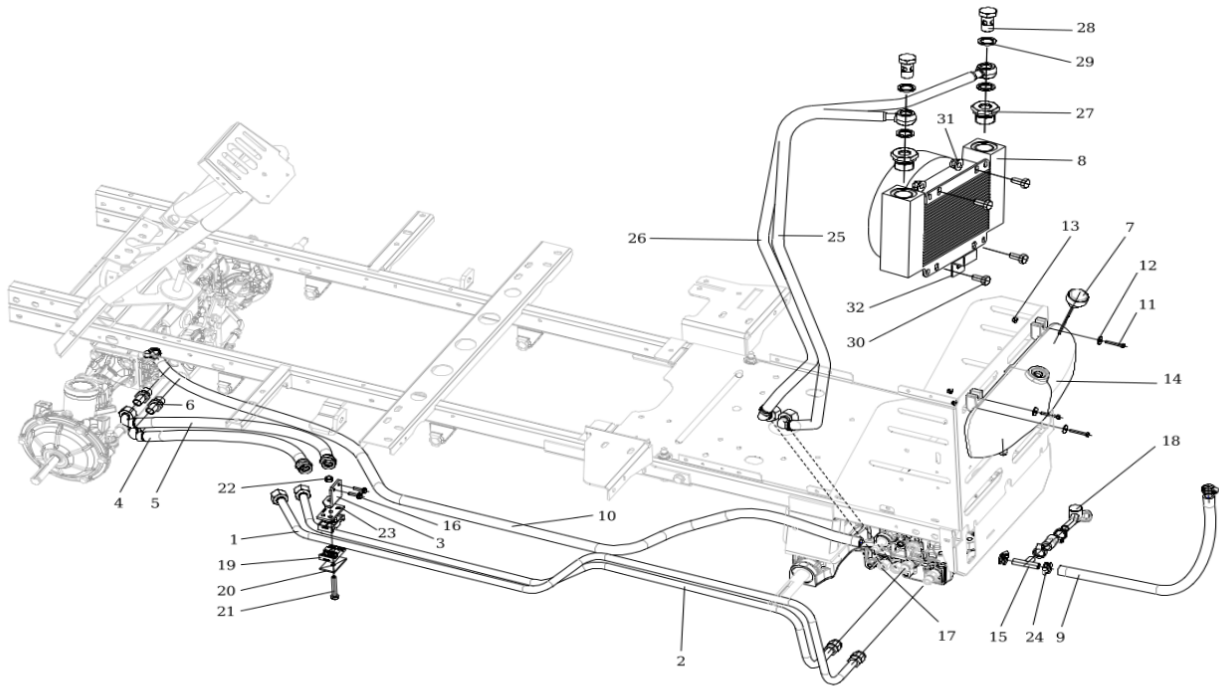
Electrical installation

Pos.	Quantity	Item number B&S	Description
1	1,00	80087331	Cover rear
2	1,00	80087332	Light holder left
3	1,00	80087333	Light holder right
4	1,00	80087334	Switch holder
5	1,00	80087335	Switch holder
6	1,00	80087336	Sensor holder
7	1,00	80087337	Neutral spring
8	2,00	80087338	Microswitch MKH 12 D 13-S1
9	4,00	n.a.	Screw M 6x10 DIN 7500 D
10	2,00	80087339	Battery clamp
11	2,00	80087340	Spacer ring
12	2,00	80087341	Light rear KS004096
13	1,00	80087342	Switch DELTA 6700-01B
14	1,00	-	Not used in this performance
15	1,00	80087343	Power outlet 4800128
16	1,00	80087344	Soft start module 5219-278-002
17	1,00	80087345	Display KS004078
18	1,00	80087346	Hour-meter SEN DEC DIGITAL
19	1,00	80087347	Switch VDD2S001 9ZZCR 100
20	1,00	80087348	Contact
21	2,00	80087349	Rivet 282702
22	1,00	80087350	Switch box Delta 6900-47 P
23	1,00	80087351	Starting key DELTA 688P-001
24	1,00	80087352	Switch 1932.3413
25	2,00	n.a.	Screw M 5x12 DIN 7500D BN3326
26	2,00	n.a.	Screw M6X16
27	1,00	n.a.	Screw M 6x40
28	2,00	n.a.	Screw M8X30 DIN 7500D BN 3326
29	4,00	n.a.	Screw M 4x12
30	4,00	n.a.	Nut M4
31	2,00	80087353	Cover 273 125 020 050
32	14,00	80087354	Clip WSBH 1-0-1
33	25,00	n.a.	SCREW M 6X16 DIN 7500D BN 3326
34	3,00	n.a.	Washer 6.4
35	3,00	n.a.	Nut M 6 DIN 6926



Catalogue: BCR3626BVECE
Group: Hydr.distribution+cooler

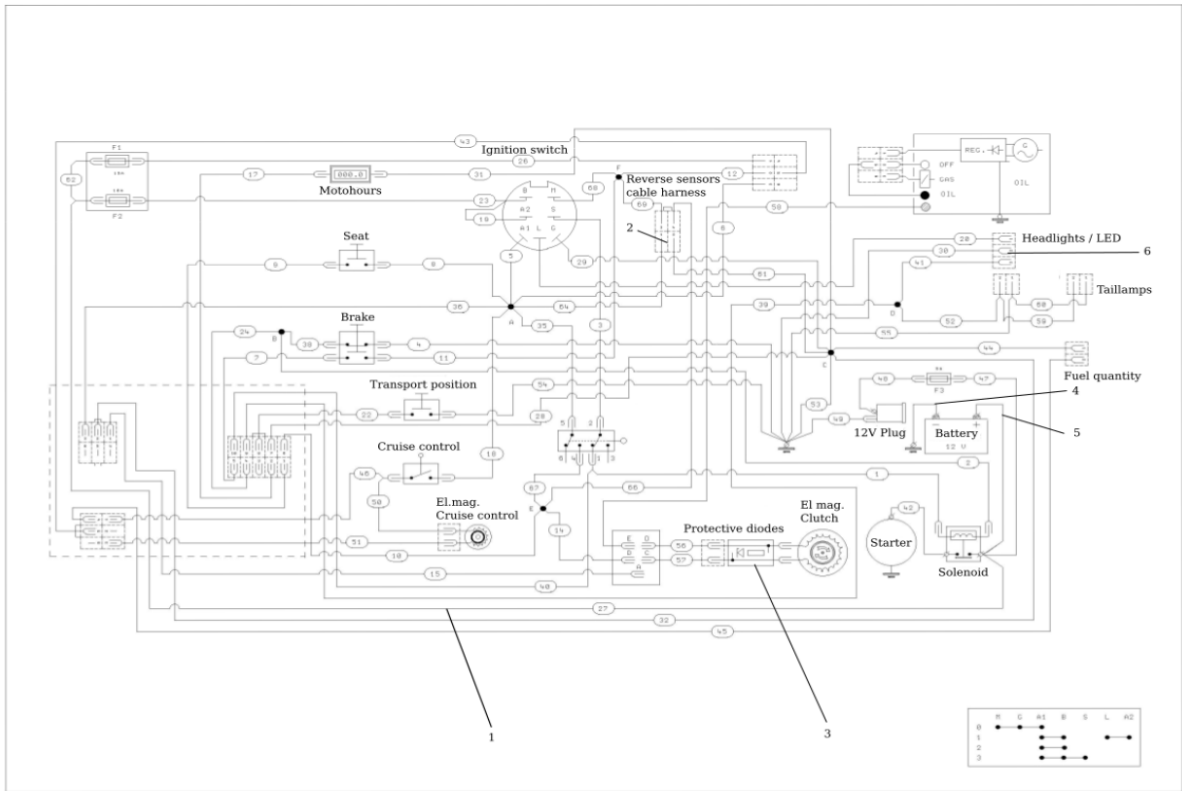
Pos.	Quantity	Item number B&S	Description
1	1,00	80087370	Oil cooler LL02 12V
1	1,00	80087371	Tube bottom compl. 9-7446-214
2	1,00	80087372	Tube upper compl. 9-7446-215
3	1,00	80087373	Tube holder
4	1,00	80087374	Hydraulic hose DN 12-500
5	1,00	80087375	Hydraulisch hose DN 12-520
6	2,00	80087376	Throat XAL 15-3/4 UNF WD
7	1,00	80087377	stop gap 1-9310-763
9	1,00	80087378	Hose exp. tank GC
10	1,00	80087379	Hose exp. GC
11	3,00	n.a.	Screw M 5X35
12	3,00	n.a.	Washer 5.5 Zinc
13	3,00	n.a.	Nut M 5 DIN 6926 Zinc
14	1,00	80087380	Tank 0-2766-217
15	1,00	80087381	Clip TS 13
16	2,00	n.a.	SCREW M 6X16 DIN 7500D BN 3326
17	2,00	80087382	Throat 9/16-18 UNF/M18x1.5DIN2353
18	1,00	80087383	Throat complete 9-8246-209
19	1,00	80087384	Tube holder double
20	1,00	80087385	Covering board 2 M8 Zn DIN3015
21	1,00	n.a.	Screw M5x35
22	1,00	n.a.	Nut M 8 DIN 6926 8 Zinc
23	1,00	80087386	Hard-surface board 2 M8 Zn
24	6,00	80087387	Wire screw-in clip W19-22mm
25	1,00	80087388	Hydraulic hose 9-8236-201
26	1,00	80087389	Hydraulic hose 9-8236-202
27	2,00	80087390	Reduction G 3/4" - G 3/8"
28	2,00	80087391	Flow screw G 3/8
29	4,00	80087392	Seal G 3/8"
30	4,00	n.a.	Screw M 8X16
31	4,00	n.a.	Nut M 8 DIN 6926 8 Zinc
32	1,00	80087393	Exp. Tank holder



Catalogue:
Group:

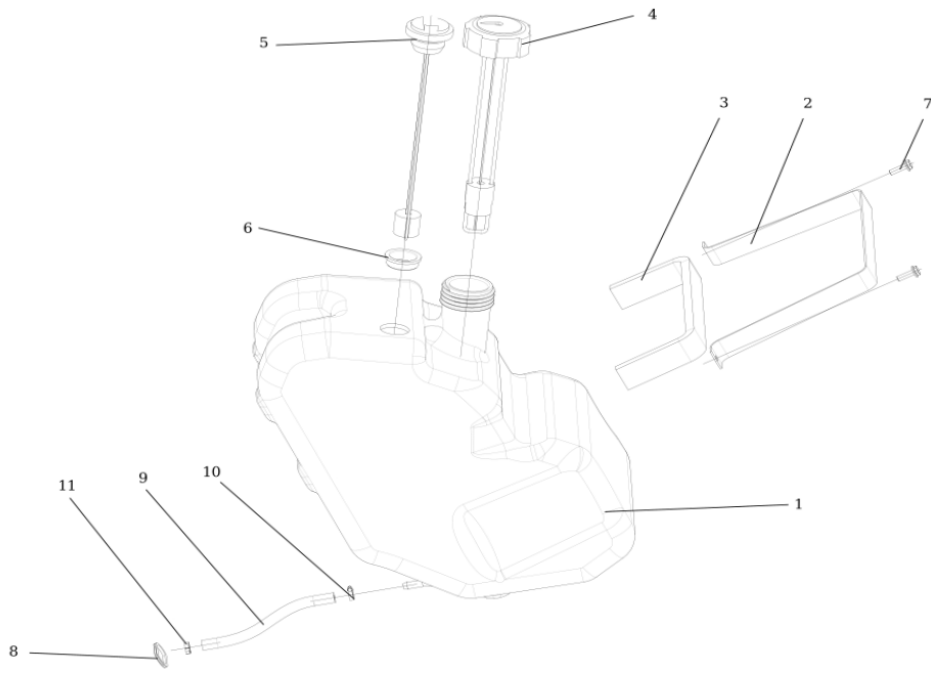
BCR3626BVECE
Safety frame ROPS

Pos.	Quantity	Item number B&S	Description
1	1,00	80087355	ROPS base complete
2	1,00	80087356	Web ROPS right
3	1,00	80087357	Web ROPS left
4	1,00	80087358	ROPS folding frame
5	1,00	80087359	Handle left GC
6	1,00	80087360	Handle right GC
7	2,00	80087361	Pin ROPS complete
8	2,00	n.a.	Screw M 8x65
9	2,00	n.a.	Screw M 10X25
10	4,00	n.a.	Nut M 10 DIN 6926 Zinc
11	2,00	n.a.	Screw M 10x70
12	2,00	n.a.	Nut M 10
13	4,00	n.a.	Screw M 8x50
14	2,00	n.a.	Screw M 8x45 8.8 A2L ISO 4762
15	6,00	n.a.	Washer 9 Zinc
16	2,00	80087362	Flexible spindle 0-9245-233
17	8,00	80087363	Screw M10X25KL100 Ripp. V. DACROM
18	8,00	n.a.	Nut M 8 DIN 6926 8 Zinc
19	1,00	80087364	Tilt meter axial
20	1,00	80087365	Tilt meter cross
21	1,00	80087366	Label 0-8730-294 lengthwise
22	1,00	80087367	Label 0-8730-295 cross
23	1,00	n.a.	SCREW M 6X16 DIN 7500D BN 3326
24	2,00	n.a.	Washer 6
25	1,00	80087368	Spacer
26	1,00	n.a.	Screw M 10x16 BN1206 10.9
27	2,00	80087369	Sealing ring MVQ 15x4



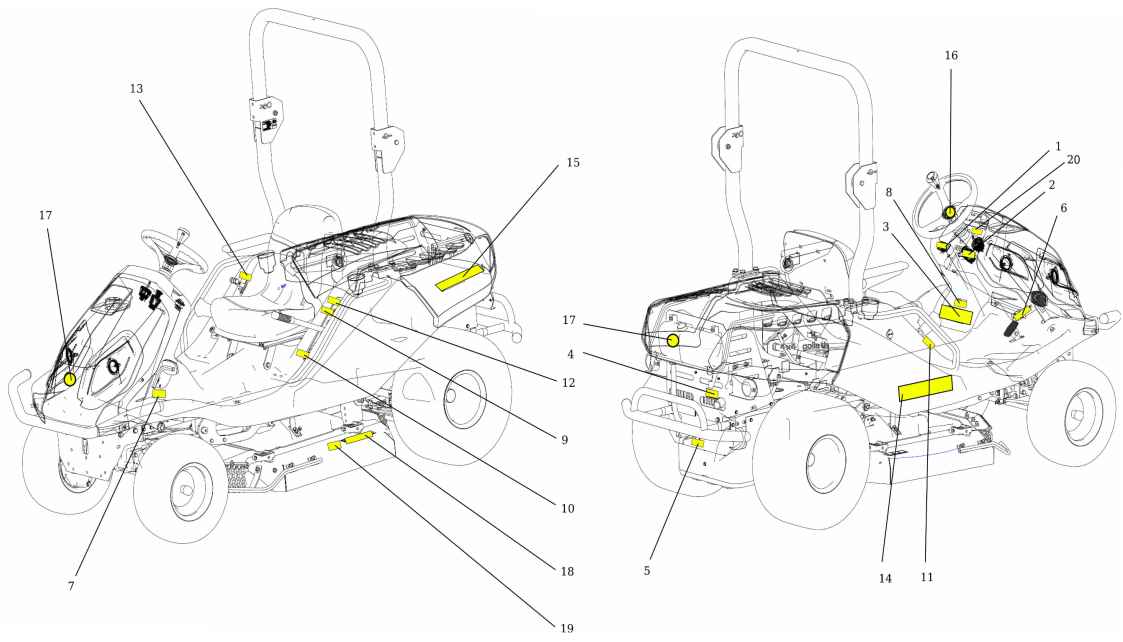
Catalogue: BCR3626BVECE
Group: Wiring diagram KS004125

Pos.	Quantity	Item number B&S	Description
1	1,00	80087394	Wiring harness KS004125
2	1,00	80087395	Switches harness KS 004081
3	1,00	80087396	Protective diodes harness 9-8316-
4	1,00	80087397	Conductor 9-8316-626 minus
5	1,00	80087398	Conductor 9-8316-625 plus
6	1,00	80087399	Wiring harness KS004054



Catalogue: BCR3626BVECE
Group: Fuel tank

Pos.	Quantity	Item number B&S	Description
1	1,00	80087400	Fuel tank 0-2766-221 GC
2	1,00	80087401	Tank belt
3	1,00	80087402	Rubber belt L 400
4	1,00	80087403	Tank cap with fuel gauge L=10.5
5	1,00	80087404	Reserve senzor E-Senzor 100
6	1,00	80087405	Sealing Gromet 201428
7	2,00	n.a.	Screw M 6x20 DIN 7500
8	1,00	80087406	Rubber sleeve 22X4
9	1,00	80087407	Fuel hose GC
10	1,00	n.a.	Hose clip 8-12 Zinc
11	1,00	n.a.	Clip UM 5008



Catalogue:

BCR3626BVECE

Group:

Decals

Pos.	Quantity	Item number B&S	Description
1	1,00	80087408	LABEL 1-8732-327 CRUISE CONTROL
2	1,00	80087409	LABEL 1-8732-328 CONTROL
3	1,00	80087410	LABEL 0-8732-336 SAFETY INSTRUCTIONS
4	1,00	80087411	LABEL 0-8732-337 SAFETY INSTRUCTIONS
5	1,00	80087412	LABEL 0-8732-523 BYPASS 0-1
6	1,00	80087413	LABEL 0-8732-444 DRIVING
7	1,00	80087414	LABEL 1-8732-363 BRAKE
8	1,00	80087415	LABEL 0-8732-531 SLOPE 22
9	1,00	80087416	LABEL 1-8732-257 LIFT MAX
10	1,00	80087417	LABEL 1-8732-256 LIFT MIN
11	1,00	80087418	LABEL 1-8732-259 DIFF. LOCK
12	1,00	80087419	LABEL 1-8732-258 TRANSPORT POSITION
13	1,00	80087420	LABEL 0-8732-482 SPEED
14	2,00	80087421	LABEL 1-8732-783 HOOD GC BILLY GOAT 4X4
15	2,00	80087422	LABEL 1-8732-775 HOOD BILLY BILLY GOAT
16	1,00	80087423	LABEL 1-8732-774 D. 38 BILLY BILLY GOAT
17	2,00	80087424	LABEL 1-8732-773 D. 90 BILLY BILLY GOAT
18	1,00	80087425	LABEL 0-8732-559 NOICE 100dB
19	2,00	80087426	LABEL 0-8730-510 SAFETY
20	1,00	80087427	LABEL 0-8732-332 REVERSE