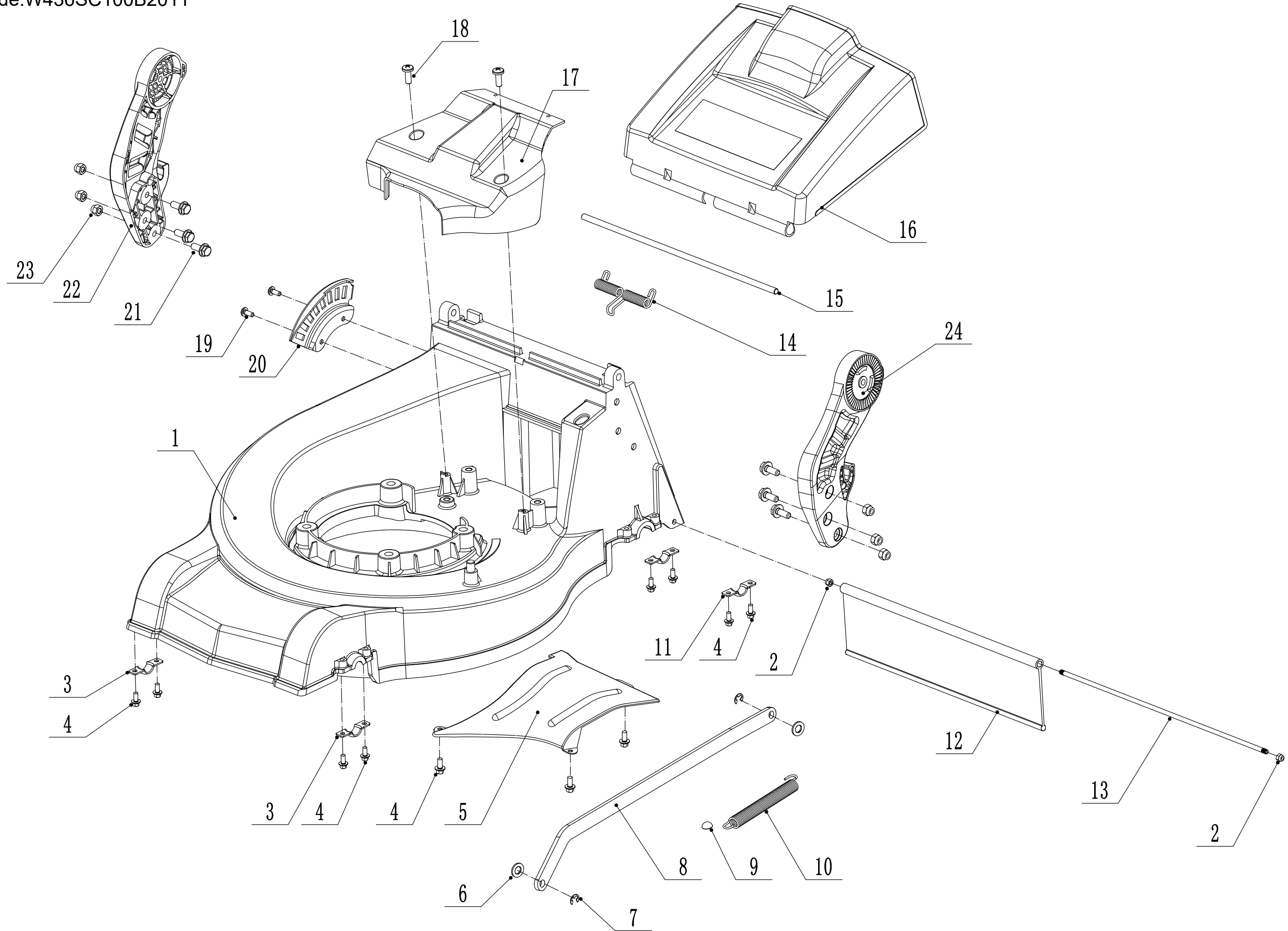
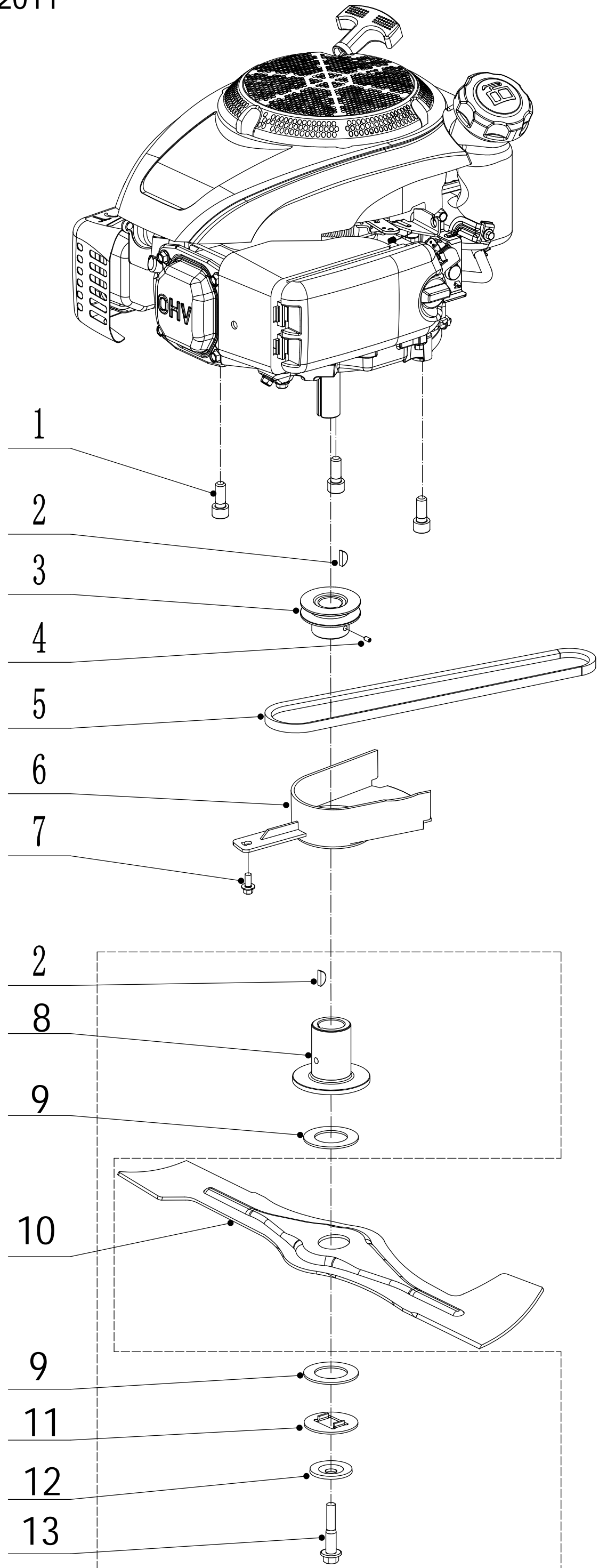


Model:WB436SC AL
Service Code:W436SC100B2011
Main Body



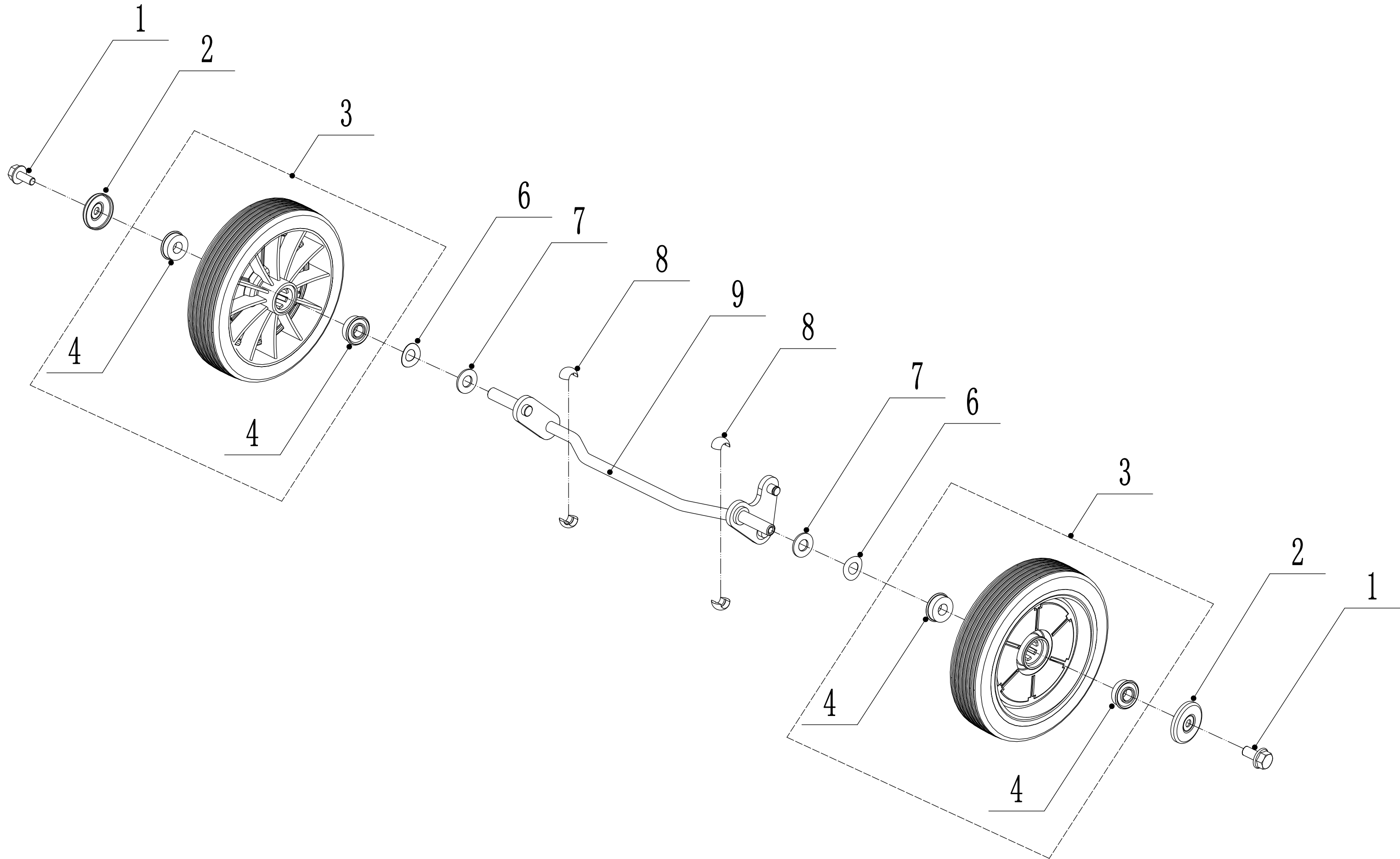
| 2 | Ersatzteilliste WB 436 SC AL | | | 2021 |
|------------|-------------------------------------|-----------------------------|-----------------------------|---------------|
| Nr. | Ersatzteilnummer | Bezeichnung Deutsch | Bezeichnung Englisch | Anzahl |
| 1 | 4320101010/49 | Gehäuse | Chassis | 1 |
| 2 | 0202006000 | Sechskant Sicherungsmutter | Lock Nut - M6 | 2 |
| 3 | 4820208010/01 | Klammer | Bearing Bracket | 2 |
| 4 | 4820104010 | Schraube | Screw - M6x12 | 11 |
| 5 | 4320102010/49 | Deflektor | Lower Deflector | 1 |
| 6 | 4820306013 | Nylon Scheibe | Nylon Washer | 2 |
| 7 | 1301008000 | Sicherungsring | E-Clip - 8mm | 2 |
| 8 | 4320308010A/40 | Verbindungsstange | Connecting Rod | 1 |
| 9 | 4810309010 | Ring | Domed Grip Cap | 1 |
| 10 | 4320309010 | Feder | Spring - Connecting Rod | 1 |
| 11 | 5320114020/01 | Halter | Upper Bearing Bracket | 2 |
| 12 | 4320119010 | Hinterer Ablenker | Trailing Flap | 1 |
| 13 | 4320118010/02 | Stange | Trailing Flap Pivot | 1 |
| 14 | 4820128010 | Feder | Spring - Trailing Flap | 1 |
| 15 | 4320116010/01 | Stange | Pivot - Rear Cover | 1 |
| 16 | 4320115010 | Hintere Abdeckung | Rear Cover | 1 |
| 17 | 4320103010 | Oberer Schutz | Upper Belt Shield | 1 |
| 18 | 4820122010 | Innensechskant Lochschraube | Screw - M6x12 | 2 |
| 19 | 0104006016 | Schraube | Screw - M6x16 | 2 |
| 20 | 4320105010/01 | Höheneinstellung | Graduator | 1 |
| 21 | 0102008016 | Bolzen | Bolt - M8x16 | 6 |
| 22 | GM48S000000080/40 | AVS Halter rechts | AVS Bracket - R/H | 1 |
| 23 | 0202008000 | Sicherungsmutter | Lock Nut - M8 | 8 |
| 24 | GM48S000000070/40 | AVS Halter links | AVS Bracket - L/H | 1 |

Model:WB436SC AL
Service Code:W436SC100B2011
Blade System



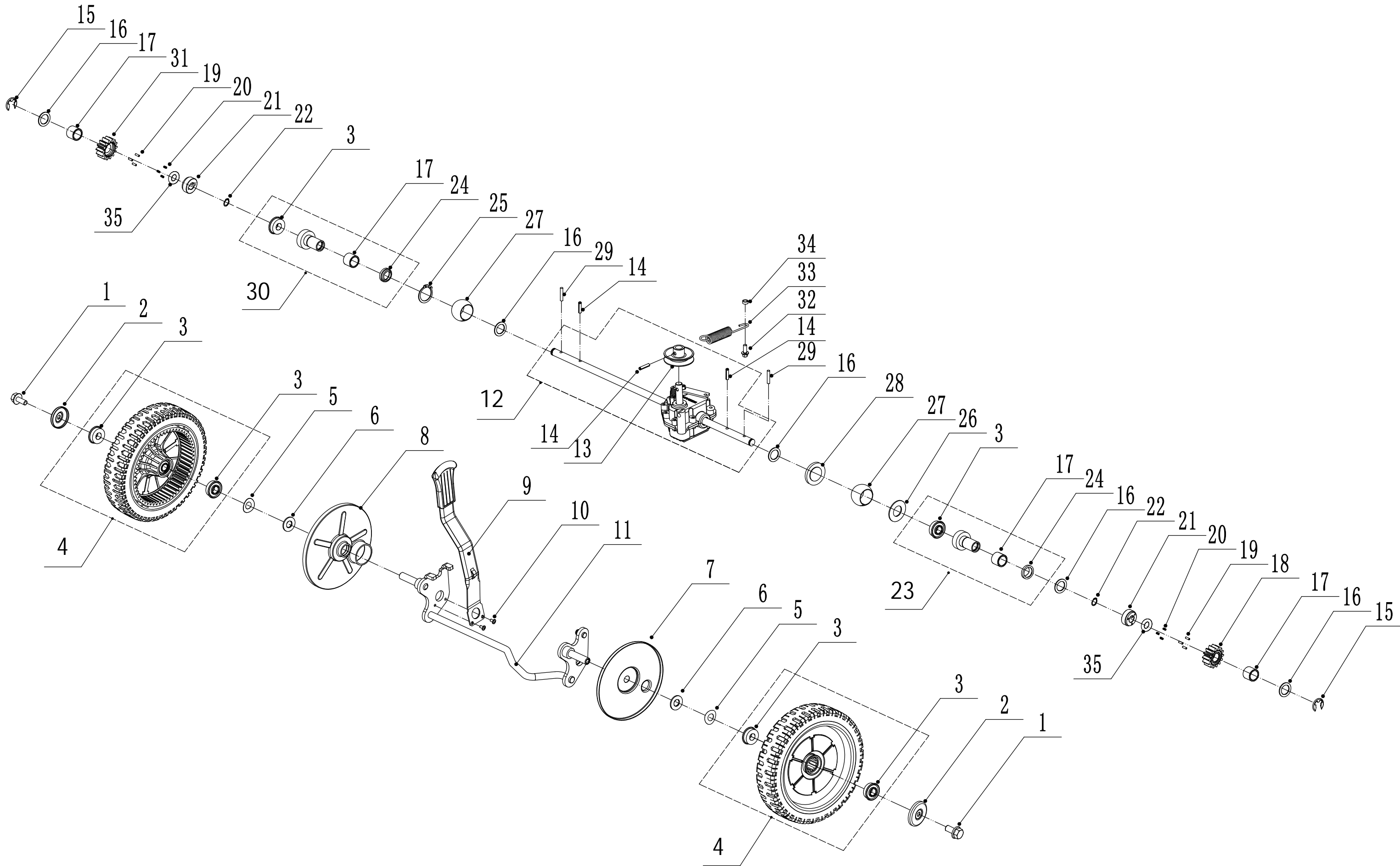
| 3 | Ersatzteilliste | | | WB 436 SC AL | 2021 |
|------------|-------------------------|----------------------------|-----------------------------|---------------------|-------------|
| Nr. | Ersatzteilnummer | Bezeichnung Deutsch | Bezeichnung Englisch | Anzahl | |
| 1 | 4820102010 | Schraube | Screw - 3/8x16x28 | 3 | |
| 2 | 4510401010 | Keil | Key | 2 | |
| 3 | 4820401020/02 | Motorriemenscheibe | Engine Pulley | 1 | |
| 4 | 0105006006 | Lochschaube | Locking Screw | 1 | |
| 5 | 4320104011 | Keilriemen | V Belt | 1 | |
| 6 | 4820402010 | Schild | Lower Belt Shield | 1 | |
| 7 | 4820104010 | Schraube | Screw - M6x12 | 1 | |
| 8 | 4510402010/02 | Messerhalter | Adaptor | 1 | |
| 9 | 5310402010 | Friktionsscheibe | Friction Washer | 2 | |
| 10 | 4320403010/22 | Messer | Blade | 1 | |
| 11 | 5310404010/02 | Ring | Locking Disc | 1 | |
| 12 | 5310406010/04 | Scheibe | Dish Washer | 1 | |
| 13 | 5310415010 | Messerbolzen | Blade Bolt - 3/8x24x40 | 1 | |

Model:WB436SC AL
Service Code:W436SC100B2011
Front Axle



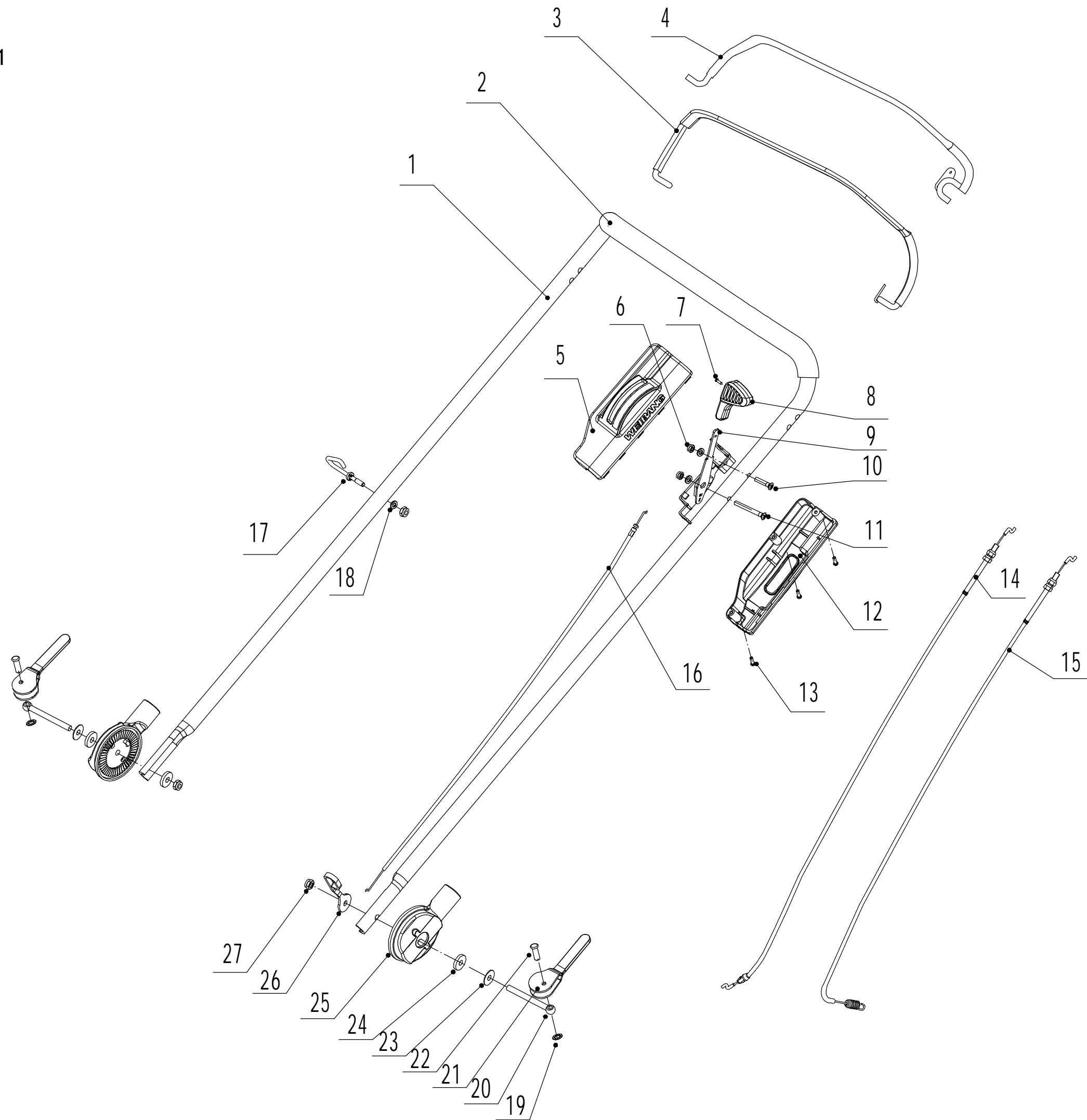
| 4 | Ersatzteilliste | | | WB 436 SC AL | 2021 |
|------------|-------------------------|----------------------------|------------------------------|---------------------|-------------|
| Nr. | Ersatzteilnummer | Bezeichnung Deutsch | Bezeichnung Englisch | Anzahl | |
| 1 | 0102008016 | Bolzen | Bolt - M8x16 | 2 | |
| 2 | 48R0210012/01 | Abdeckscheibe | Wheel Cap | 2 | |
| 3 | 5380205010/40 | Rad | Wheel Assembly | 2 | |
| 4 | 5310213010 | Lager | Bearing | 4 | |
| 6 | 5310211010/02 | Federscheibe | Spring Washer - M12.7 | 2 | |
| 7 | 5310210010/02 | Scheibe | Plain Washer - M12.7 | 2 | |
| 8 | 5310209010 | Lager | Bearing Holder | 4 | |
| 9 | 4320201010A/01 | Vorderachse | Front Axle Welding | 1 | |

Model:WB436SC AL
Service Code:W436SC100B2011
Rear Body



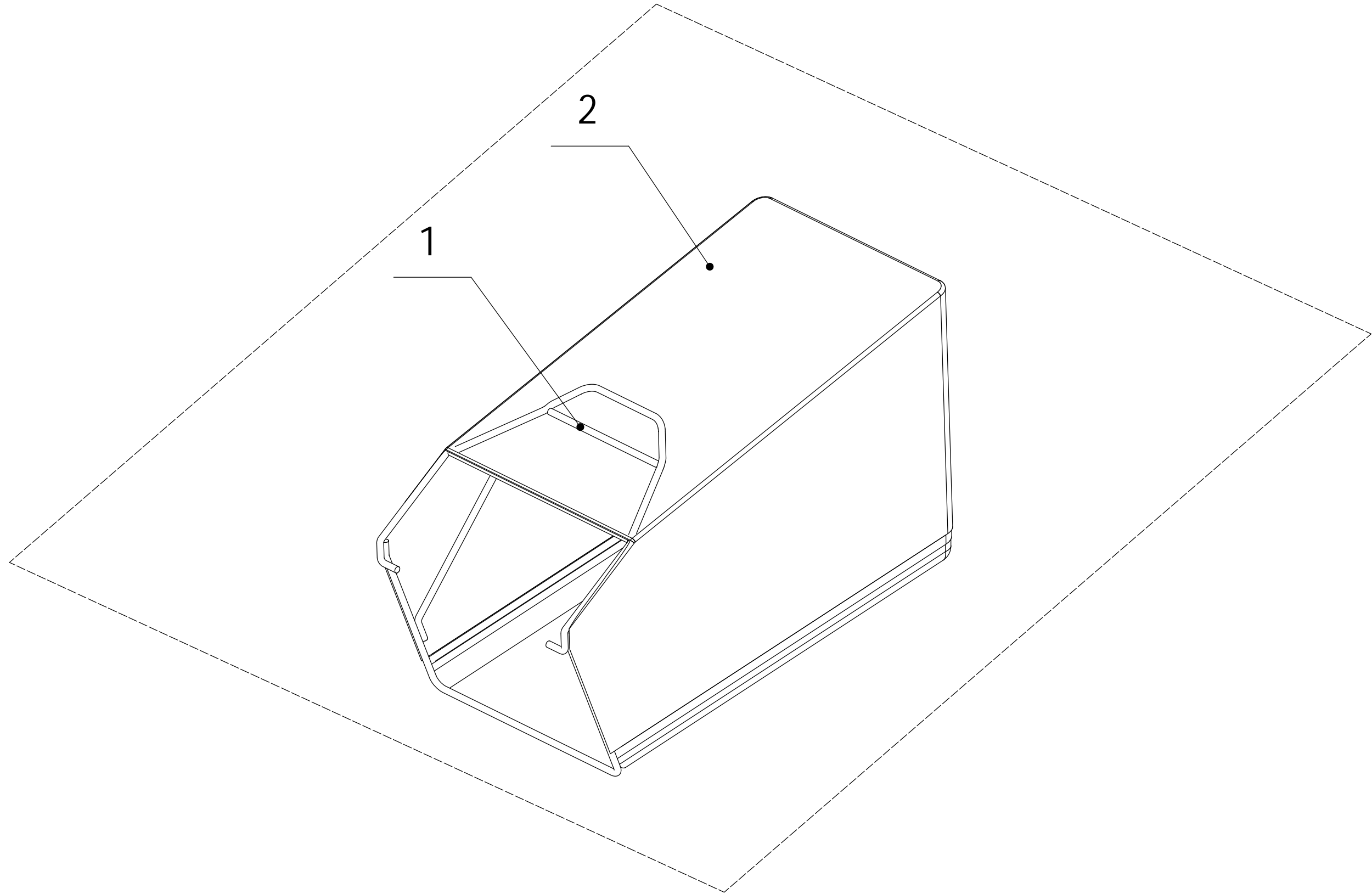
| 5 | Ersatzteilliste WB 436 SC AL | | | 2021 |
|-----|------------------------------|--------------------------|-------------------------------|--------|
| Nr. | Ersatzteilnummer | Bezeichnung Deutsch | Bezeichnung Englisch | Anzahl |
| 1 | 0102008016 | Bolzen | Bolt - M8x16 | 2 |
| 2 | 48R0210012/01 | Abdeckscheibe | Wheel Cap | 2 |
| 3 | 5310213010 | Lager | Bearing | 6 |
| 4 | 5380310010/40 | Hinterrad | Wheel Assembly | 2 |
| 5 | 5310211010/02 | Federscheibe | Spacer - M12.7 | 2 |
| 6 | 5310210010/02 | Scheibe | Plain Washer - M12.7 | 2 |
| 7 | 4320310010/22 | Hinterradabdeckung | Left Wheel Shield | 1 |
| 8 | 4520308010 | Rad Abdeckung | Rear Wheel Shield | 1 |
| 9 | 5320303010/40 | Einstellhebel | Adjustment Lever | 1 |
| 10 | 0104005008 | Bolzen | Screw - M5x8 | 2 |
| 11 | 4320301010A/01 | Achse | Rear Axle Frame | 1 |
| 12 | Y054320P | Getriebe | Rear Transmission | 1 |
| 13 | 5020308020 | Riemenscheibe Getriebe | Gearbox Pulley | 1 |
| 14 | 0701005020 | Federstift | Spring Pin - 5x20 | 3 |
| 15 | 1301009000 | Sicherungsring | E-Clip - M9 | 2 |
| 16 | 5020311010/04 | Scheibe | Washer | 5 |
| 17 | 5320326010P | Buchse | Bearing | 4 |
| 18 | HQ000100010 | Zahnrad (links) | Drive Pinion - L/H | 1 |
| 19 | HQ000100030 | Stift | Pin - Drive Pinion | 6 |
| 20 | HQ000100040 | Feder | Spring - Drive Pinion | 6 |
| 21 | HQ000100050 | Halter | Block - Drive Pinion | 2 |
| 22 | 1001012000 | Ring | Circlip - M12 | 2 |
| 23 | Y065320 | Lager | Left Bearing Sheath Assembly | 1 |
| 24 | 5320327010 | Staubabdeckung | Dustproof Ring | 2 |
| 25 | 1001020000 | Sicherungsring für Welle | Circlip - M20 | 1 |
| 26 | 4820327010/02 | Ring | Bearing Bracket Right Washer | 1 |
| 27 | 5320328010 | Nylon Lager | Nylon Ball Bearing | 2 |
| 28 | 4320306020A/02 | Scheibe | Bearing Spacer | 1 |
| 29 | HQ000100060 | Stift | Check holder | 2 |
| 30 | Y065321 | Lager | Right Bearing Sheath Assembly | 1 |
| 31 | HQ000100020 | Zahnrad (rechts) | Drive Pinion - R/H | 1 |
| 32 | 4820104011 | Sechskant Lochschraube | Screw - M6x15 | 1 |
| 33 | 4820317010 | Getriebefeder | Spring Of Gearbox | 1 |
| 34 | 4820317011 | Buchse | Spacer | 1 |
| 35 | 1401025015 | Ring | O-Ring | 2 |

Model:WB436SC AL
Service Code:W436SC100B2011
Handle and Controls



| 6 | Ersatzteilliste WB 436 SC AL | | | 2021 |
|-----|------------------------------|----------------------------|----------------------------|--------|
| Nr. | Ersatzteilnummer | Bezeichnung Deutsch | Bezeichnung Englisch | Anzahl |
| 1 | 4560115010/49 | Griff | Handle | 1 |
| 2 | GM56E010000080 | Gummischutz | Handle Sheath | 1 |
| 3 | 5020506030S/49 | Griff | Clutch Lever | 1 |
| 4 | 5020503020S/49 | Hebel | OPC Lever | 1 |
| 5 | GM46E050000030 | Kabelbox obere Hälfte | Throttle Control Box Upper | 1 |
| 6 | 0202006000 | Sechskant Sicherungsmutter | Lock Nut - M6 | 3 |
| 7 | 0106003013 | Schraube | Screw - ST2.9x13 | 1 |
| 8 | 5380510010 | Kappe für Gasgriff | Throttle Control Grip | 1 |
| 9 | GM46E050100000 | Gashebel | Throttle Control Bracket | 1 |
| 10 | 0108006040 | Schraube | Screw - M6x40 | 1 |
| 11 | 0108006050 | Schraube | Screw - M6x50 | 1 |
| 12 | GM46E050000040 | Kabelbox untere Hälfte | Throttle Control Box Lower | 1 |
| 13 | 0113040018 | Schraube | Screw - ST4x18 | 3 |
| 14 | BS120-1045 | Bremskabel | OPC Cable | 1 |
| 15 | LH186-1135 | Kupplungskabel | Clutch Cable | 1 |
| 16 | YM72-900-A | Gaszug | Throttle Cable | 1 |
| 17 | 4510511010/01 | Kabelhalter | Hook - Starter Rope | 1 |
| 18 | 0301006000 | Scheibe | Washer - M6 | 3 |
| 19 | 4510114030 | Buchse | Fix Cap | 2 |
| 20 | GM48S000000100 | Bolzen | Connecting Bolt | 2 |
| 21 | GM56A100400000 | Hebel | Lock Lever | 2 |
| 22 | 0801008025 | Stift | Axis Pin - 8x25 | 2 |
| 23 | GM56A100000040/04 | Scheibe | Spacer | 2 |
| 24 | GM56A100000050/01 | Scheibe | Spacer | 3 |
| 25 | GM48S030200000 | Verstellsegment | Tooth Disc Kit | 2 |
| 26 | GM48S000000090/01 | Kabelführung | Clip | 1 |
| 27 | 0201008000DD | Mutter | Lock Nut - M8 | 2 |

Model:WB436SC AL
Service Code:W436SC100B2011
Grass Catcher



| 7 | Ersatzteilliste | | | WB 436 SC AL | 2021 |
|------------|-------------------------|----------------------------|-----------------------------|---------------------|-------------|
| Nr. | Ersatzteilnummer | Bezeichnung Deutsch | Bezeichnung Englisch | Anzahl | |
| 1 | 4320602010/22 | Gestell (Fangsack) | Frame - Grass Bag | 1 | |
| 2 | 4320603012/84 | Fangsack | Grass Bag | 1 | |