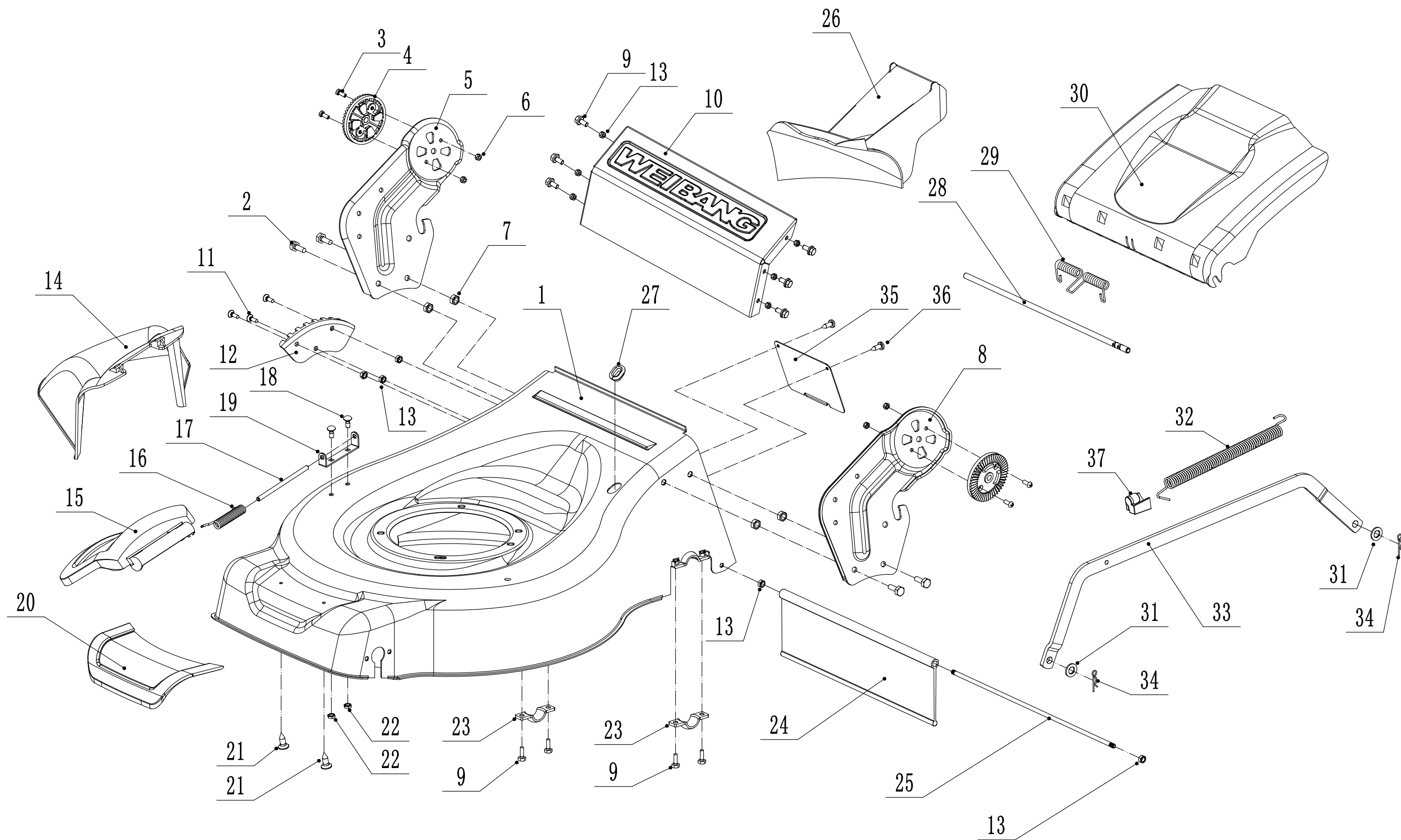
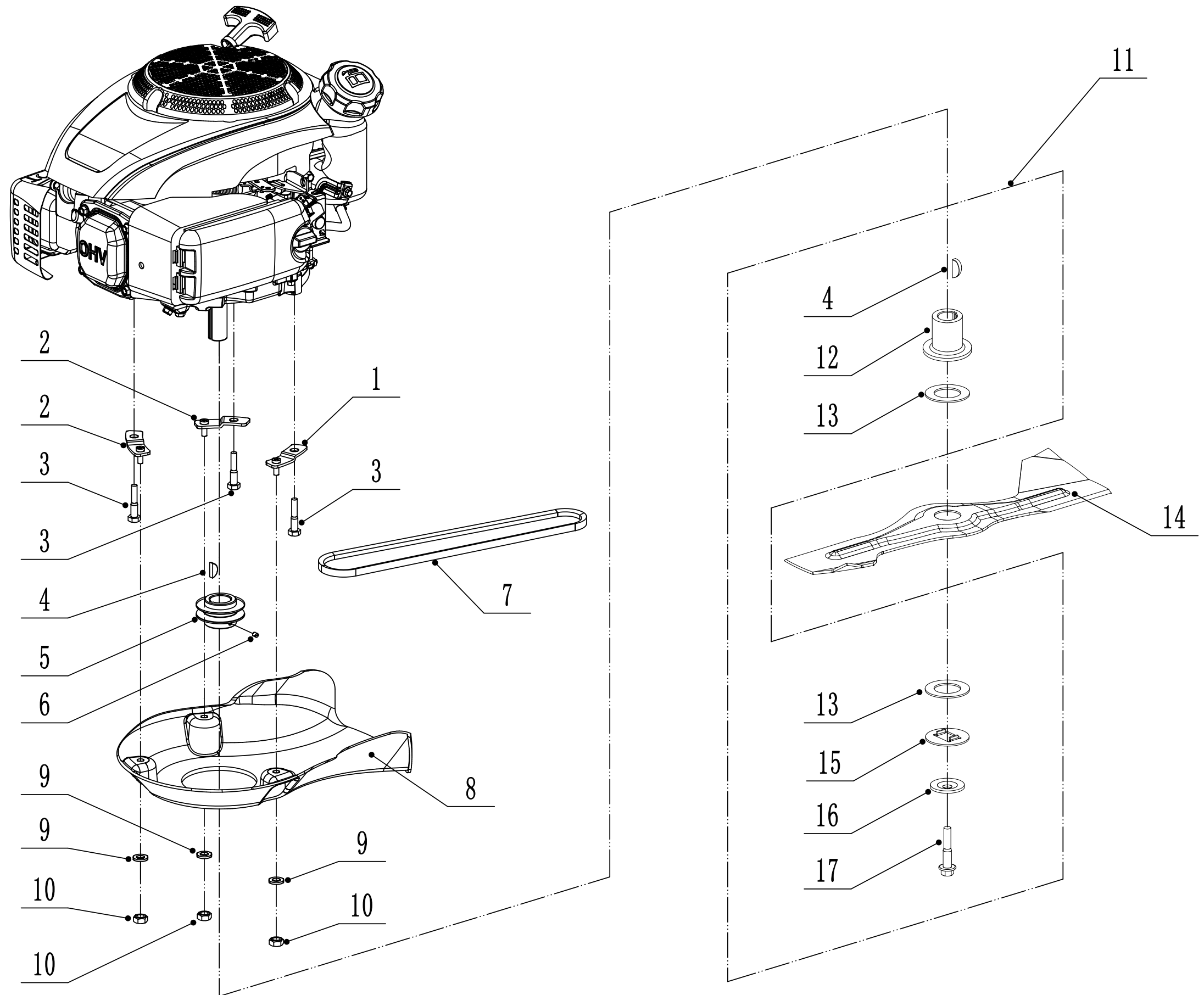


2 Main Body



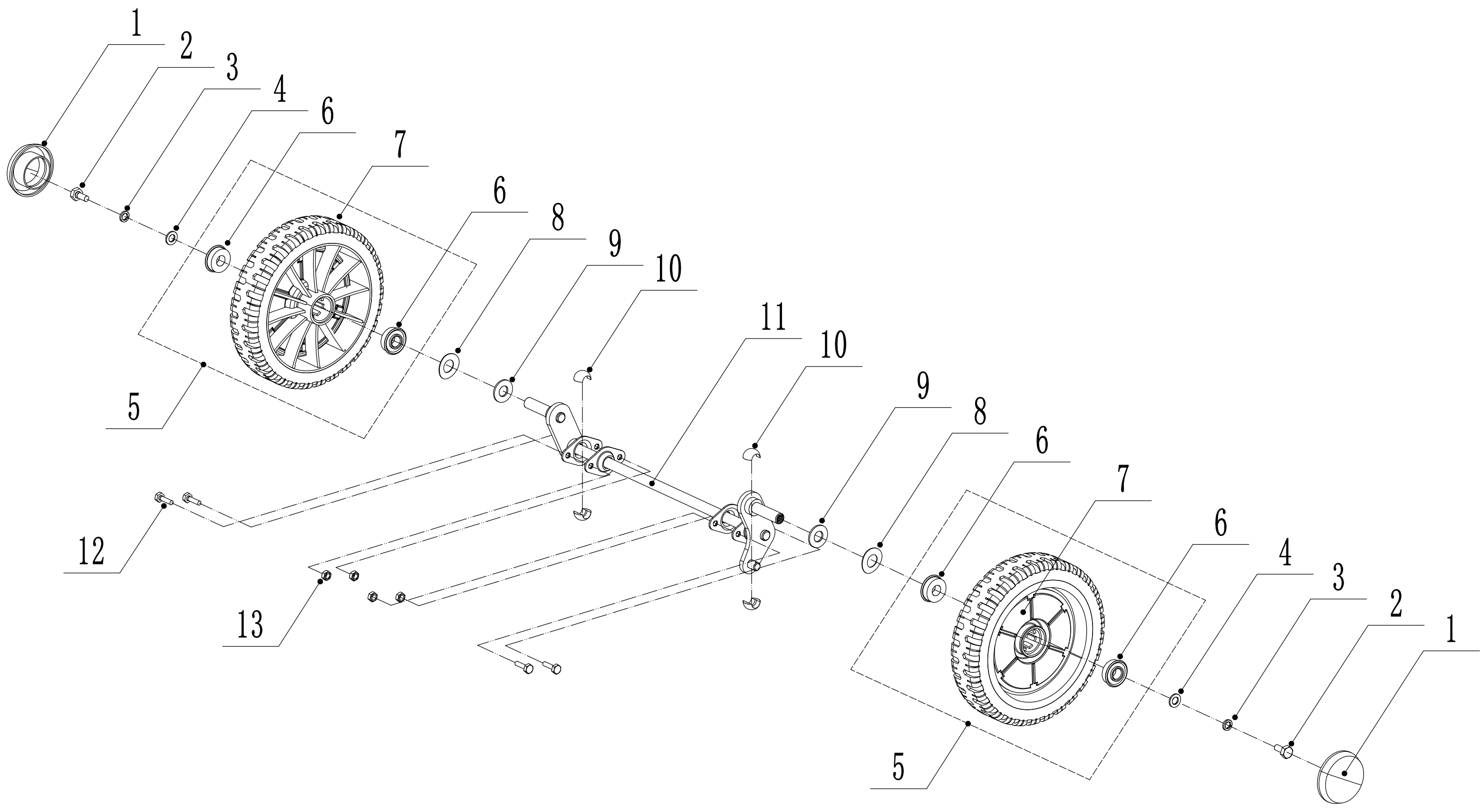
| 2 | Ersatzteilliste WB 506 SB 3-1 IS | | | 2017 |
|------------|---|----------------------------|------------------------------|---------------|
| Nr. | Ersatzteilnummer | Bezeichnung Deutsch | Bezeichnung Englisch | Anzahl |
| 1 | 5040101010/46 | Gehäuse | Deck Shell | 1 |
| 2 | 0102008016 | Bolzen | Bolt-M8x16 | 4 |
| 3 | 0104005012 | Schraube | Screw-M5x12 | 4 |
| 4 | AVSA000000040/22 | Schnellverschluß | Tooth Disc | 2 |
| 5 | 4560112010K/46 | Holm Halterung (rechts) | AVS Bracket - R/H | 1 |
| 6 | 0202005000 | Sicherungsmutter | Lock Nut-M5 | 4 |
| 7 | 0202008000 | Sicherungsmutter | Lock Nut-M8 | 4 |
| 8 | 4560111010K/46 | Holm Halterung (links) | AVS Bracket - L/H | 1 |
| 9 | 0102006012 | Bolzen | Bolt- M6x12 | 10 |
| 10 | 5040111030/46 | Verbindungsstück | Connector | 1 |
| 11 | 0104006016 | Schraube | Screw-M6X16 | 3 |
| 12 | 4560110010/01 | Höheneinstellung | Quadrant - Height Adjuster | 1 |
| 13 | 0202006000 | Sicherungsmutter | Lock Nut-M6 | 9 |
| 14 | 5040108010 | Auswurfklappe | Side Discharge Deflector | 1 |
| 15 | 5040107010 | Schutz | Cover | 1 |
| 16 | 5020119010 | Feder | Side Discharge Cover Pivot | 1 |
| 17 | 5020120010/02 | Stange | Side Discharge Cover Spring | 1 |
| 18 | 0107006014 | Bolzen | Bolt | 2 |
| 19 | 5020118010/02 | Federhalter | Side Discharge Cover Bracket | 1 |
| 20 | 5040103010 | Abdeckung | Front Mask | 1 |
| 21 | 0106004013 | Schraube | Screw - ST4.2X13 | 2 |
| 22 | 0204006000 | Mutter | Lock Nut-M6 | 2 |
| 23 | 5320114020/01 | Halter | Upper Bearing Bracket | 2 |
| 24 | 5040113010 | Schutz | Rear Deflector | 1 |
| 25 | 5040112010/02 | Stange | Rear Pivot | 1 |
| 26 | 5040104010 | Mulchstopfen | Mulching Plug | 1 |
| 27 | 5360122010 | Hülse | Rubber Ring | 1 |
| 28 | 5040106010/02 | Stange | Rod | 1 |
| 29 | 5360118010 | Feder | Spring - Grass Bag Flap | 1 |
| 30 | 5040105010 | heckklappe | Flap - Grass Bag | 1 |
| 31 | 0301010000 | Scheibe | Plain Washer - M10 | 2 |
| 32 | WB2100020102/01 | Feder | Spring - Height Adjuster | 1 |
| 33 | 5040109050/46 | Stange | Rod - Height Adjuster | 1 |
| 34 | 5320333010 | Federsplint | Spring Clip | 2 |
| 35 | 5360105010D/46 | Platte | Shield | 1 |
| 36 | 0106004009 | Bolzen | Screw - ST4.2X9.5 | 2 |
| 37 | 4560109012 | Halterung | Spring Bracket | 1 |

3 WB506SKL刀片组件



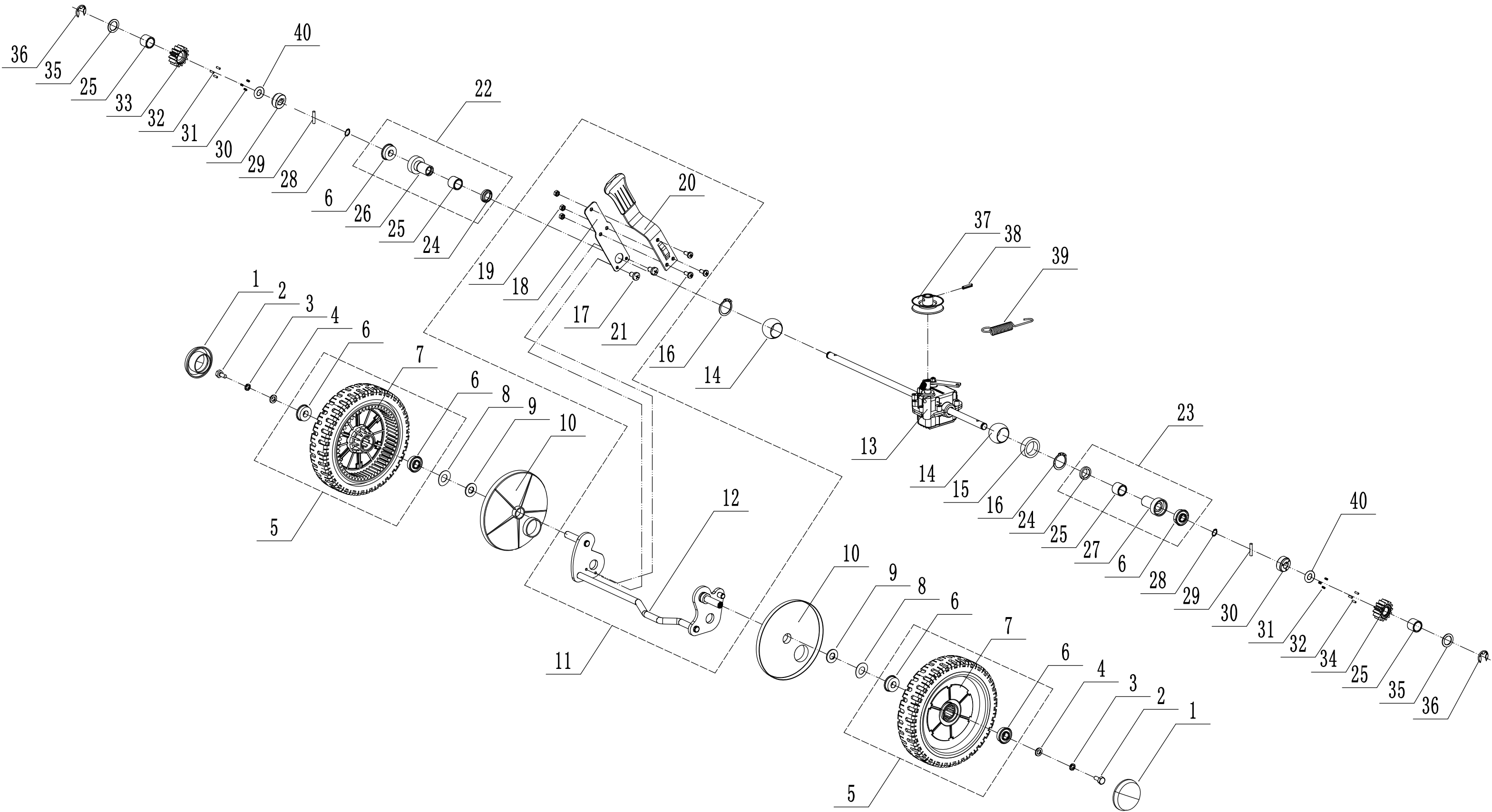
| 3 | Ersatzteilliste WB 506 SB 3-1 IS | | | 2017 |
|------------|---|----------------------------|-----------------------------|---------------|
| Nr. | Ersatzteilnummer | Bezeichnung Deutsch | Bezeichnung Englisch | Anzahl |
| 1 | 5360111010/02 | Unterlegscheibe | engine washer 1 | 1 |
| 2 | 5360112010/02 | Unterlegscheibe | engine washer 2 | 2 |
| 3 | 5320115010 | Sicherungsmutter | ST screw | 3 |
| 4 | 4510401010 | Keil | key | 2 |
| 5 | 5020402070 | Motorriemenscheibe | engine pulley | 1 |
| 6 | 0105006006 | Lochschraube | locating screw | 1 |
| 7 | 5320119011 | Keilriemen | V belt | 1 |
| 8 | 5040102010 | Riemenschutz | belt shield | 1 |
| 9 | 0302006000 | Scheibe | big flat washer | 3 |
| 10 | 0202006000 | Sicherungsmutter | lock nut | 3 |
| 12 | 5320404020/02 | Messerhalter | adapter | 1 |
| 13 | 5310402010 | Friktionsscheibe | friction washer | 2 |
| 14 | 5020405060/22 | Mulchmesser | blade | 1 |
| 15 | 5310404010/02 | Ring | lock ring | 1 |
| 16 | 5310406010/04 | Scheibe | spring washer | 1 |
| 17 | 5320405010 | Messerschraube | central bolt | 1 |

4 Front axle



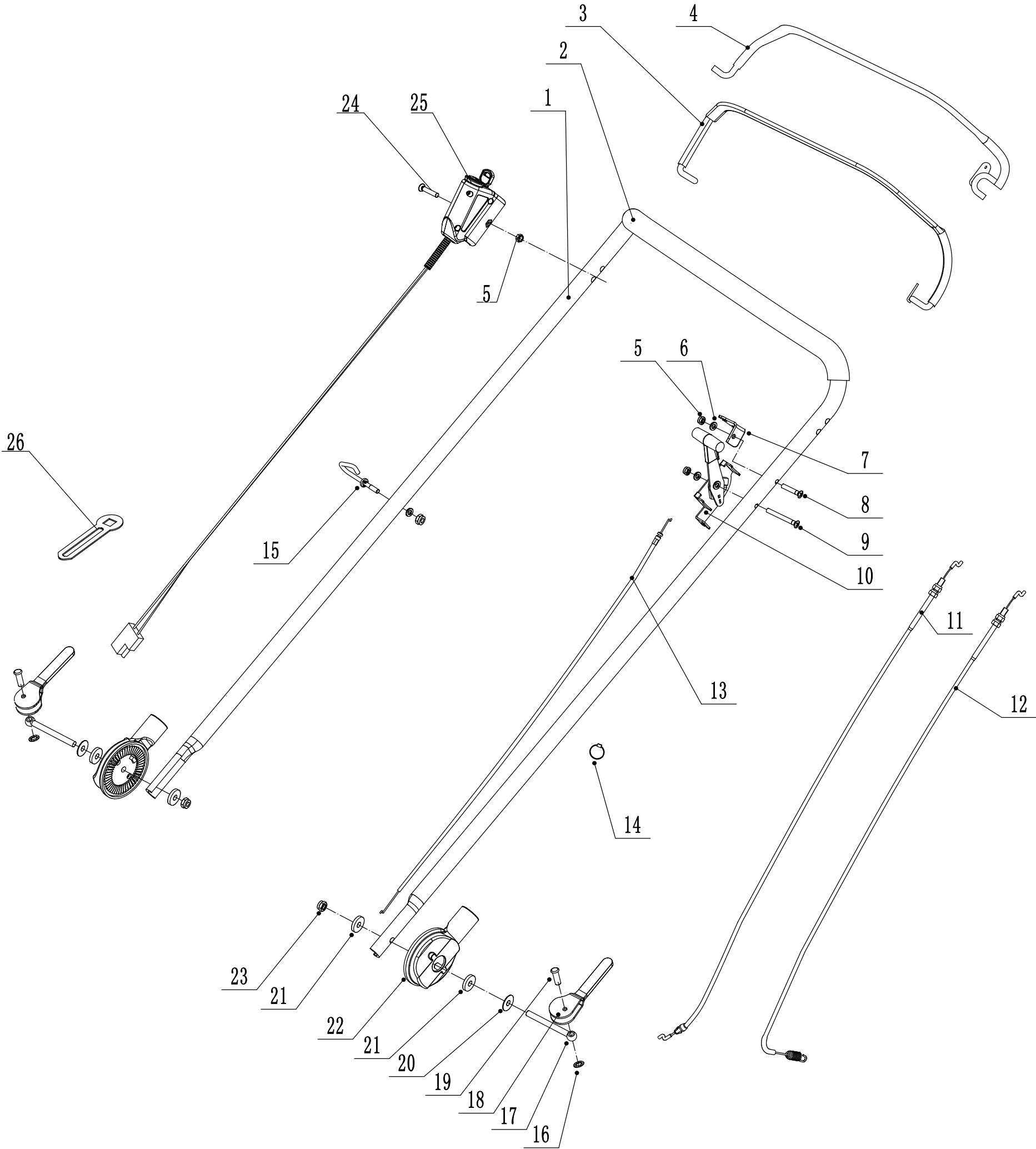
| 4 | Ersatzteilliste WB 506 SB 3-1 IS | | | 2017 |
|-----|----------------------------------|---------------------|-----------------------|--------|
| Nr. | Ersatzteilnummer | Bezeichnung Deutsch | Bezeichnung Englisch | Anzahl |
| 1 | 5310214010 | Radkappe | Wheel Cap | 2 |
| 2 | 0101008015 | Bolzen | Bolt-M8x15 | 2 |
| 3 | 0401008000 | Federscheibe | Spring Washer - M8 | 2 |
| 4 | 0301008000 | Unterlegscheibe | Washer - M8 | 2 |
| 5 | 5310212010 | Radkappe | Wheel Assembly | 2 |
| 6 | 5310213010 | Lager | Bearing | 4 |
| 8 | 5310211010/02 | Federscheibe | Spring Washer - M12.7 | 2 |
| 9 | 5310210010/02 | Scheibe | Plain Washer - M12.7 | 2 |
| 10 | 5310209010 | Lager | Bearing Holder | 4 |
| 11 | 5040201020/01 | Vorderachse | Front Axle Welding | 1 |
| 12 | 0102006012 | Bolzen | Bolt - M6X12 | 4 |
| 13 | 0202006000 | Sicherungsmutter | Lock Nut - M6 | 4 |

5 Rear axle



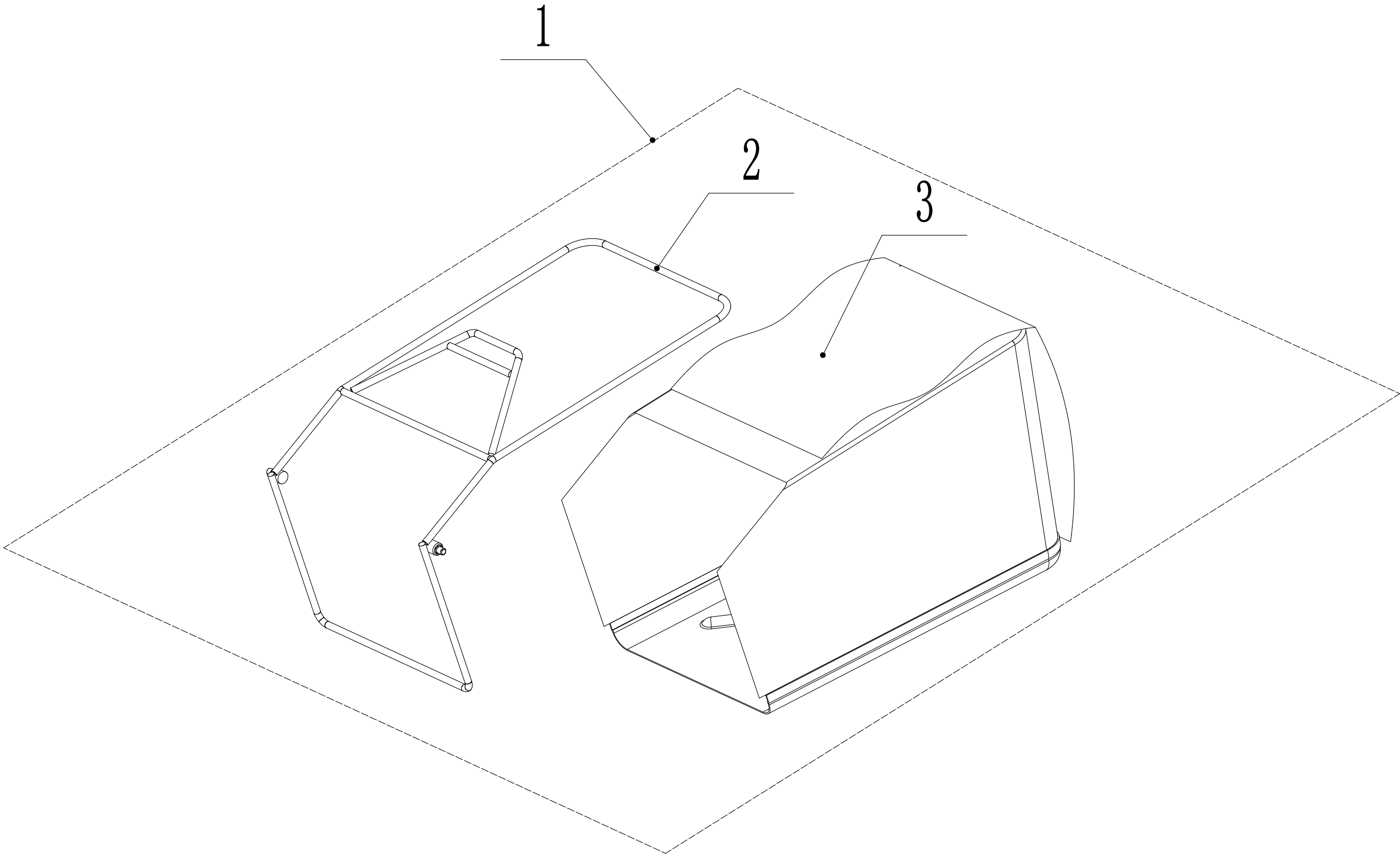
| 5 | Ersatzteilliste WB 506 SB 3-1 IS | | | 2017 |
|-----|----------------------------------|---------------------|-------------------------------|--------|
| Nr. | Ersatzteilnummer | Bezeichnung Deutsch | Bezeichnung Englisch | Anzahl |
| 1 | 5310214010 | Radkappe | Wheel Cap | 2 |
| 2 | 0101008015 | Bolzen | Bolt-M8x15 | 2 |
| 3 | 0401008000 | Federscheibe | Spring Washer - M8 | 2 |
| 4 | 0301008000 | unterlegscheibe | Washer - M8 | 2 |
| 5 | 5340309010 | Antriebsrad | Wheel Assembly | 2 |
| 6 | 5310213010 | Lager | Bearing | 4 |
| 8 | 5310211010/02 | Federscheibe | Spring Washer - M12.7 | 2 |
| 9 | 5310210010/02 | Scheibe | Plain Washer - M12.7 | 2 |
| 10 | 5340312010 | Schutz | Rear Wheel Shield | 2 |
| 12 | 5040301013/01 | Hinterachse | Rear Axle Frame | 1 |
| 13 | Y205040P | Getriebe | Rear Transmission Assembly | 1 |
| 14 | 5320328010 | Nylon Lager | Nylon Ball Bearing | 2 |
| 15 | 5320329010/02 | Buchse | Rear Axle Partition | 1 |
| 16 | 1001020000 | Sicherungsring | Circlip - M20 | 2 |
| 17 | 0104005008 | Bolzen | Screw - M5X8 | 2 |
| 18 | 5360311010/22 | Halter | Spring Of Adjustment Lever | 1 |
| 19 | 0202006000 | Sicherungsmutter | Lock Nut - M6 | 3 |
| 20 | 5360310010 | Höheneinstellgriff | Adjustment Lever | 1 |
| 21 | 0104006014 | Bolzen | Screw - M6X14 | 3 |
| 22 | Y065321 | Lager | Reft Bearing Sheath Assembly | 1 |
| 23 | Y065320 | Lager | Light Bearing Sheath Assembly | 1 |
| 24 | 5320327010 | Staubabdeckung | Dustproof Ring | 2 |
| 25 | 5320326010P | Lager | Bearing | 4 |
| 26 | 5320325020/02 | Lager | Right Bearing Sheath | 1 |
| 27 | 5320324020/02 | Hülse | Left Bearing Sheath | 1 |
| 28 | 1001012000 | Ring | Circlip - M12 | 2 |
| 29 | HQ000100060 | Stift | Check holder | 2 |
| 30 | HQ000100050 | Halter | Block - Drive Pinion | 2 |
| 31 | HQ000100040 | Feder | Spring - Drive Pinion | 6 |
| 32 | HQ000100030 | Stift | Pin - Drive Pinion | 6 |
| 33 | HQ000100020 | Zahnrad (rechts) | Drive Pinion - R/H | 1 |
| 34 | HQ000100010 | Zahnrad (links) | Drive Pinion - L/H | 1 |
| 35 | 5020311010/04 | Scheibe | Washer | 2 |
| 36 | 1301009000 | Sicherungsring | E-Clip - M9 | 2 |
| 37 | 5020308020 | Spannrolle | gearbox pulley | 1 |
| 38 | 0701005020 | Federstift | Spring Pin- 5X20 | 2 |
| 39 | 4820317010 | Getriebefeder | Gearbox Draw Staff | 1 |
| 40 | 1401025015 | Ring | O-Ring | 2 |

6 Handle and Controls



| 6 | Ersatzteilliste WB 506 SB 3-1 IS | | | 2017 |
|-----|----------------------------------|---------------------|--------------------------|--------|
| Nr. | Ersatzteilnummer | Bezeichnung Deutsch | Bezeichnung Englisch | Anzahl |
| 1 | 5020501020S/46 | Holm | Upper Handle | 1 |
| 2 | GM56E010000080 | Gummischutz | Handle Grip | 1 |
| 3 | 5320511030S/46 | Hebel | Clutch Lever | 1 |
| 4 | 5320503020S/46 | Hebel | OPC Lever | 1 |
| 5 | 0202006000 | Sicherungsmutter | Lock Nut-M6 | 3 |
| 6 | 0301006000 | Scheibe | Washer - M6 | 3 |
| 7 | GM46B050000010/01 | Klammer | Bracket | 1 |
| 8 | 0108006040 | Schraube | Screw - M6X40 | 1 |
| 9 | 0108006050 | Schraube | Screw - M6X50 | 1 |
| 10 | GM46B050100000 | Gashebel | Frame - Throttle Control | 1 |
| 11 | BS120-1140 | Motorbremszug | OPC Cable | 1 |
| 12 | LH186-1225 | Kupplungskabel | Clutch Cable | 1 |
| 13 | YM90-1370-B | Gaszug | Throttle Cable | 1 |
| 14 | ZD3/190 | Ring | Cable Tie - 3X190mm | 1 |
| 15 | 4510511010/01 | Kabelhalter | Hook - Starter Rope | 1 |
| 16 | 4510114030 | Buchse | Grip Washer | 2 |
| 17 | GM48S000000100 | Bolzen | Bolt | 2 |
| 18 | GM56A100400000 | Hebel | Lock Lever | 2 |
| 19 | 0801008022 | Stift | Pin - 8X22 | 2 |
| 20 | GM56A100000040/04 | Scheibe | Spacer | 2 |
| 21 | GM56A100000050/01 | Scheibe | Spacer | 3 |
| 22 | GM48S030200000 | Verstellsegment | Tooth Disc Kit | 2 |
| 23 | 0201008000DD | Mutter | Lock Nut-M8 | 2 |
| 24 | 0108006030 | Schraube | cross slot bolt | 1 |
| 25 | YJQD/504 | E-Start | button start assembly | 1 |
| 26 | 40E0109000 | Platte | pressing line plate | 1 |

7 Grasscatcher



| 7 | Ersatzteilliste WB 506 SB 3-1 IS | | | 2017 |
|------------|---|--------------------------------|-----------------------------|---------------|
| Nr. | Ersatzteilnummer | Bezeichnung Deutsch | Bezeichnung Englisch | Anzahl |
| 2 | 5040602010/22 | Gestell | Grass Bag Frame | 1 |
| 3 | 5040603011/81 | Fangsack | Grass Bag | 1 |