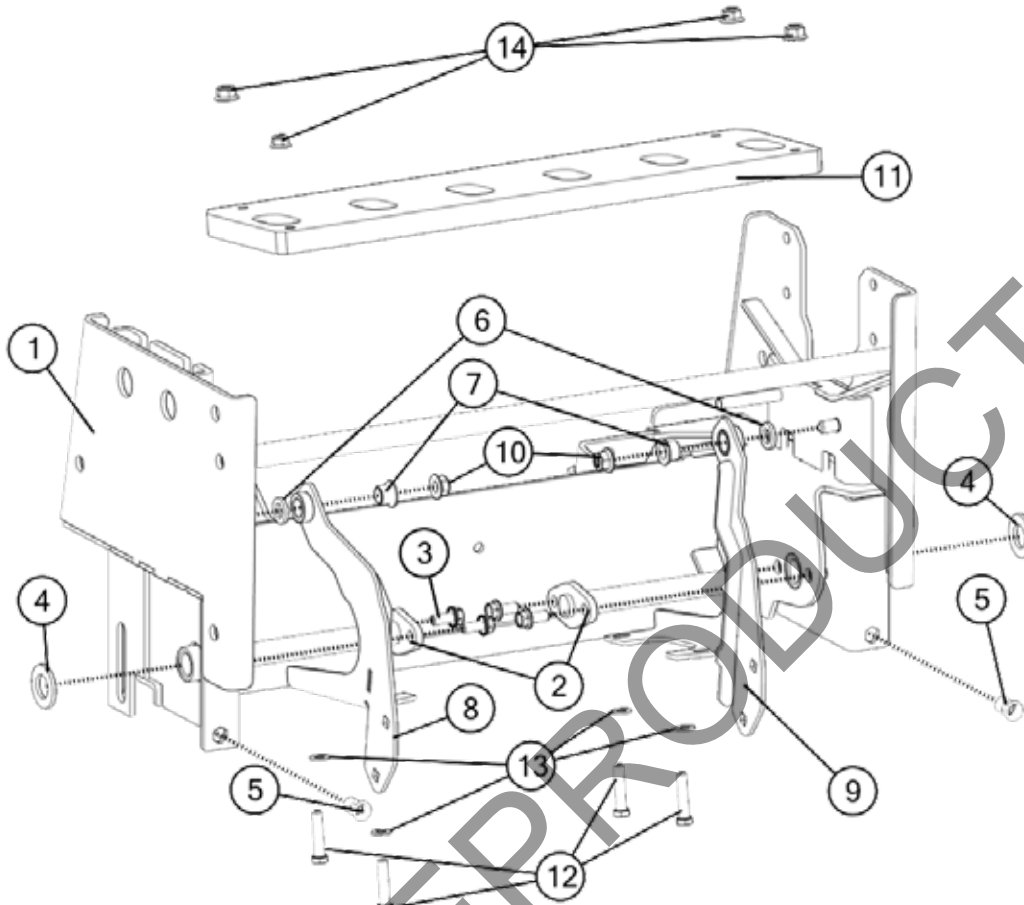


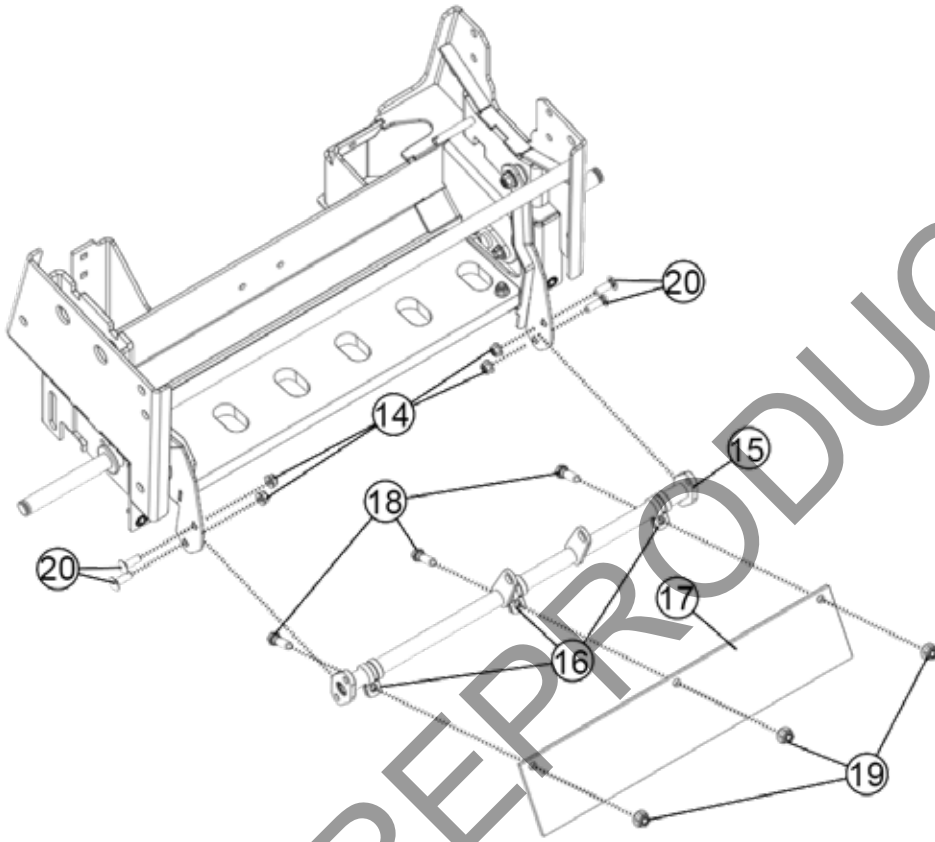
PL2501SP Parts Drawings & Lists



PL2501SPH & PL2501SPV

Item No.	Description	Part No.	QTY
1	WLDMT, SUB FRAME 2501SP	382102-S	1
2	WA, AXLE REAR	382103	2
3	SER. HEX WSHR FLNG SCREW 5/16" - 18 x 0.75"	351264	4
4	WSHR-STL, FLT, .812"X1.469"X.134" SAE ZP	8172015	2
5	NUT INSERT HEX 5/16"-18, .150-.312 GRIP RANGE	REF	2
6	WSHR-NYL, FLT, .500" X .875" X .125"	382258	2
7	BUSHING, .500" I.D.	362254	2
8	WA, TINE GATE ARM LH	382101	1
9	WA, TINE GATE ARM RH	382104	1
10	NUT-HEX-NYLK, FLG .375-16 ZP	8165003	2
11	GATE, TINE	382227	1
12	SCR-CAP, HEX .3125"-18 X 1.500" G5 ZP	8041030	4
13	WSHR-STL, FLT, .344"X.688"X.065" SAE ZP	8172008	4
14	NUT-HEX-NYLK, FLG .3125-18 ZP	8165002	4

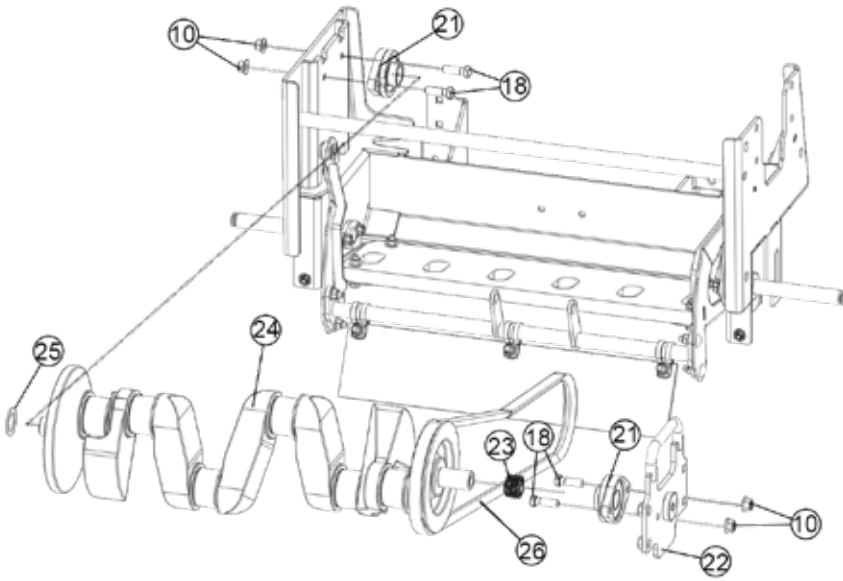
PL2501SP Parts Drawings



PL2501SPH & PL2501SPV

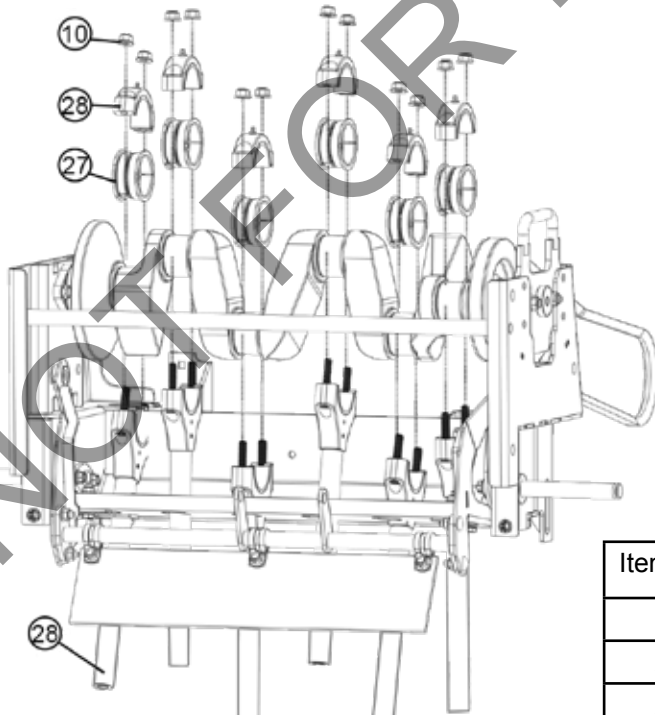
Item No.	Description	Part No.	QTY
14	NUT-HEX-NYLK, FLG .3125-18 ZP	8165002	4
15	WA, TINE GUARD	382118	1
16	CLAMP, P LOOM Ø.750, .406" MH	382203	3
17	SKIRT, TINE RUBBER	382280	1
18	SCREWCAP 3/8"-16 X 1 1/4" HCS ZP	8041051	3
19	NUT-HEX-NYLK, FLG .375"-16 ZP	8165003	3
20	BOLT, CARRIAGE 5/16-18 X 1" ZP SHORT NK	362362	4

PL2501SP Parts Drawings



PL2501SPH
&
PL2501SPV

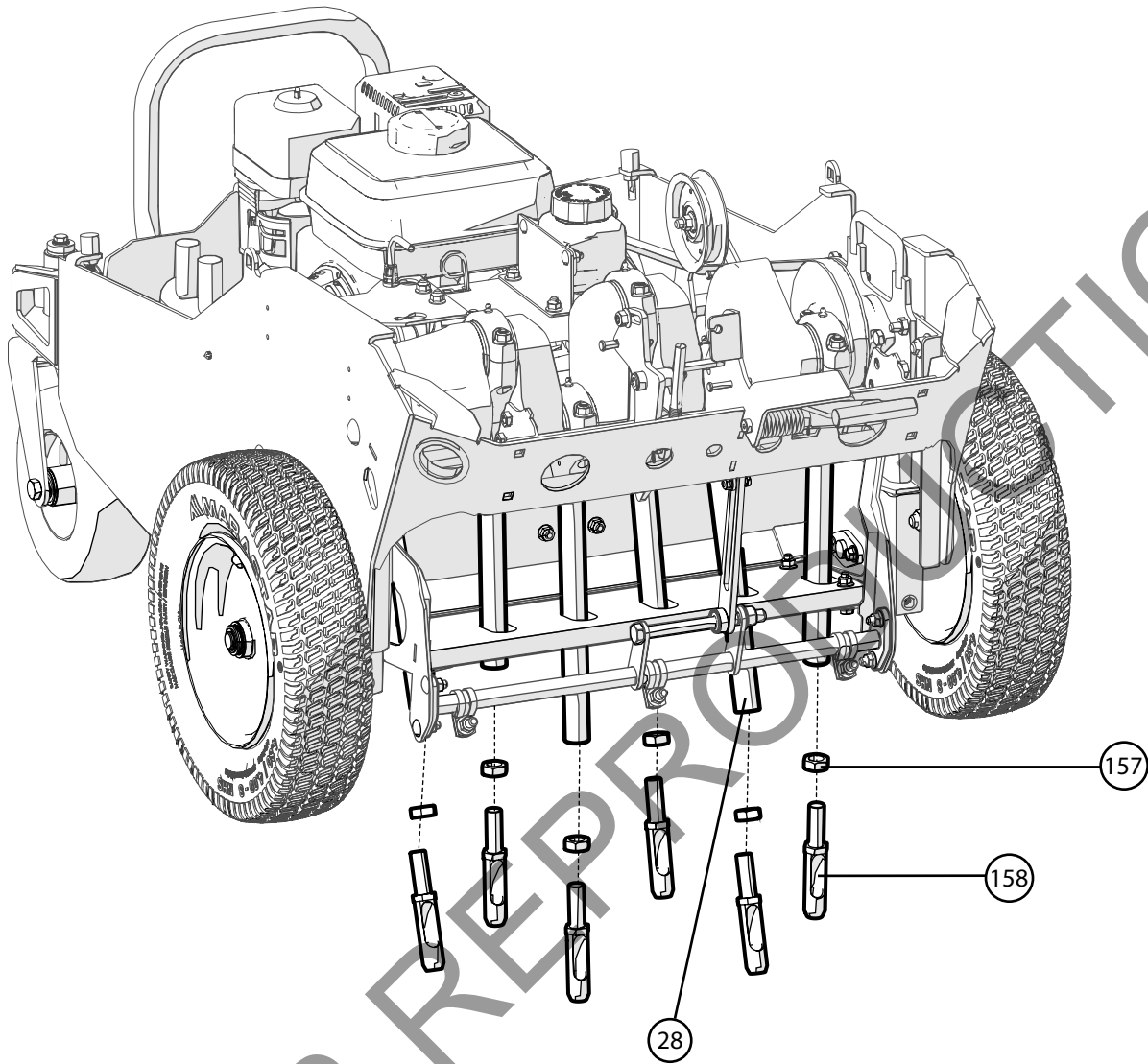
Item No.	Description	Part No.	QTY
10	NUT-HEX-NYLK, FLG .375-16 ZP	8165003	4
18	SCREWCAP 3/8"-16 X 1 1/4" HCS ZP	8041051	4
21	BRG, 2-SQ.HOLE MNT, 1.00 BORE DCT. IRON	382236	2
22	WA, CRANK BEARING MNT	382112	1
23	SPRING, WAVE 1.000" X .700"	382220	1
24	CRANK, 6 TINE	382242	1
25	MACHINERY BUSHING 1" X 1 1/2 X 14 GA	362205	1
26	BELT, V, 5L 61.82EL OHR ETH, AMD CD	382273	1



PL2501SPH
&
PL2501SPV

Item No.	Description	Part No.	QTY
10	NUT-HEX-NYLK, FLG .375-16 ZP	8165003	4
27	BEARING JOURNAL 2" DIA	380213	12
28	ASM, TINE ROD AND CAP	382264	6

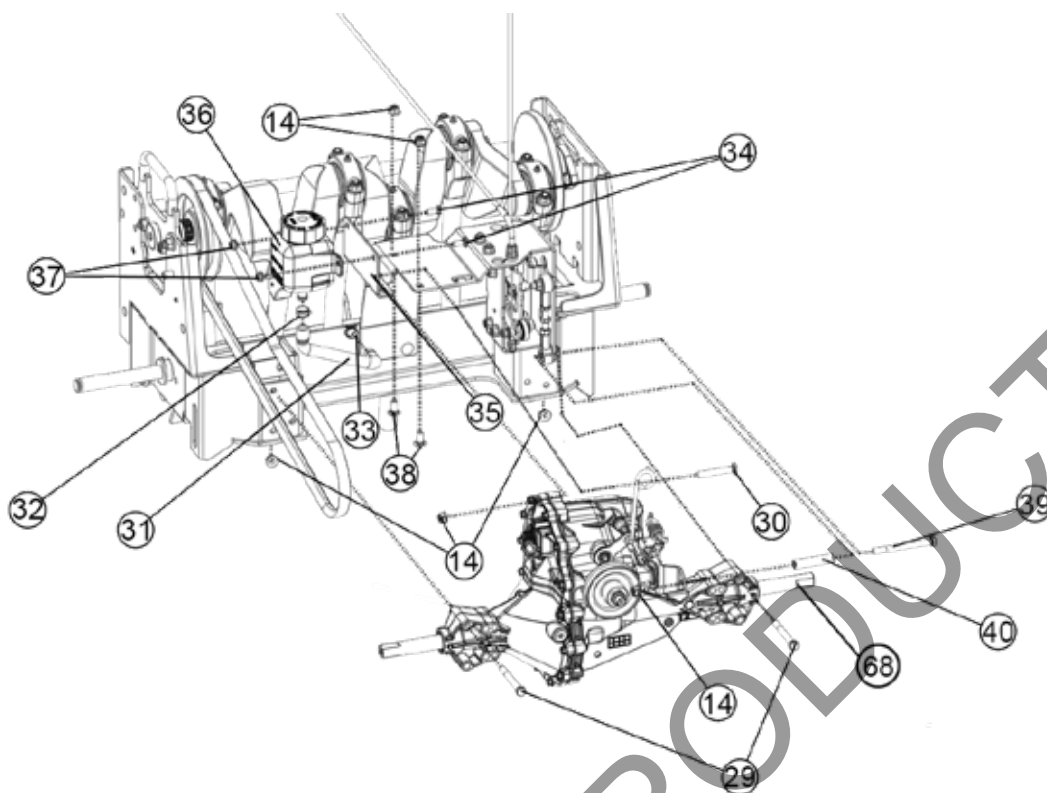
PL2501SP Parts Drawings



PL2501SPH & PL2501SPV

Item No.	Description	Part No.	QTY
28	ASM, TINE ROD AND CAP	382264	6
157	NUT JAM, 5/8-11 ZP	8143007	6
158	TINE, PLUGR .625"-11 BLACK	382244	6

PL2501SP Parts Drawings



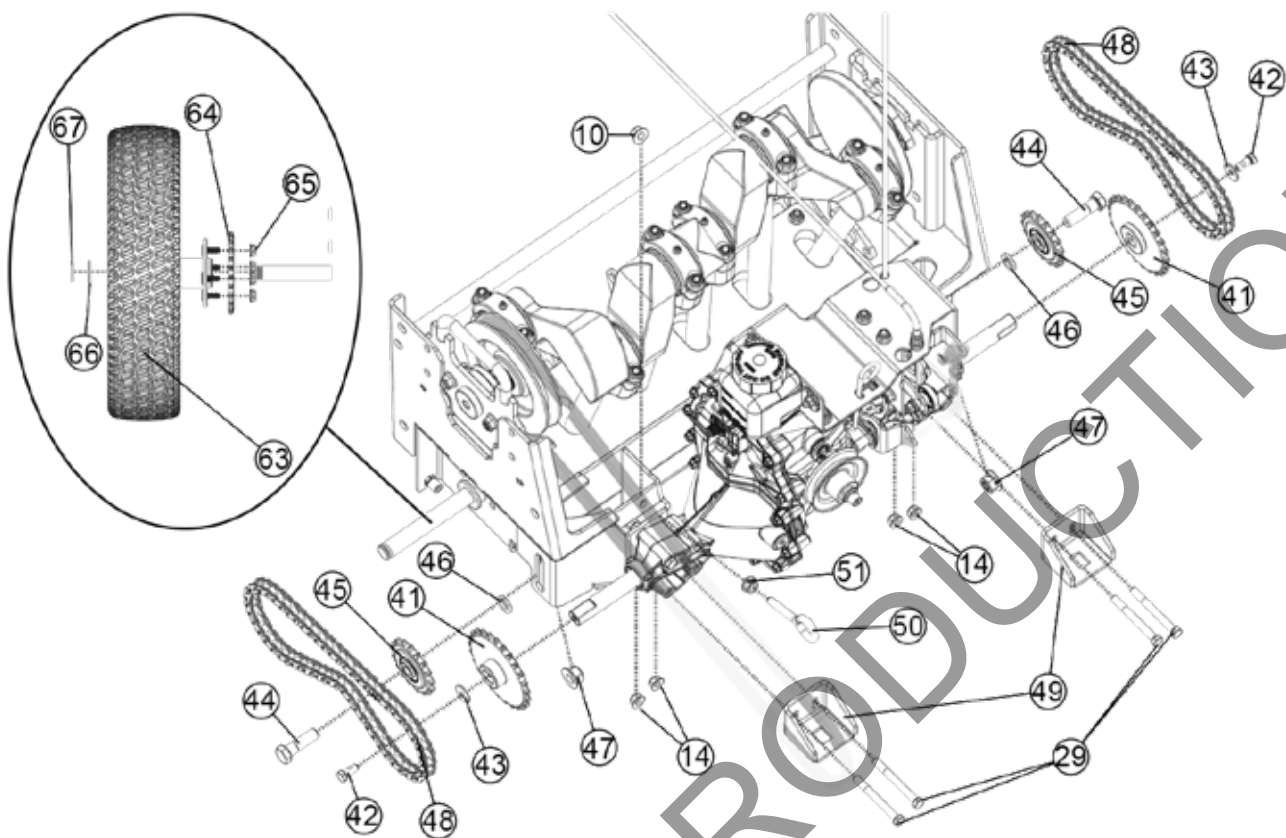
PL2501SPH & PL2501SPV

Item No.	Description	Part No.	QTY
14	NUT-HEX-NYLK, FLG .3125"-18 ZP	8165002	2
29	SCREWCAP 5/16"-18 X 3" GR 5 HCS ZP	8041036	2
30	BLT-RDHDSSQNK, .3125"-18 X 2.250 G5 YZ	8024057	1
31	HOSE, EXPANSION TANK	382293	1
32	CLAMP, HOSE CTL Ø.645" ID X .030" THICK	382283	1
33	CLAMP, HOSE CTL Ø.583" ID X .030" THICK	382281	1
34	BOLT CARRIAGE 1/4-20 X 3/4" ZP	8024021	2
35	PLATE, EXPANSION TANK MNT	382299	1
36	TANK, EXPANSION	5100473	1
37	NUT-HEX-NYLK, FLG .250"-20 ZP	8165001	2
38	BOLT CARRIAGE 5/16-18 X 3/4" ZP SHRT NK	362224	2
39	SCREWCAP 5/16"-18 X 3 1/2" GR 5 HCS ZP	8041038	1
40	SPACER, .500" OD X 2.313" ZP	382229	1
68	ASM, TRANSAXLE REPLACEMENT	382603	2

Note: Item 68 (P/N 382603 - ASM, TRANSAXLE REPLACEMENT) includes:

- Item 31 (P/N 382293)
- Item 32 (P/N 382283)
- Item 33 (P/N 382281)
- Item 36 (P/N 5100473)

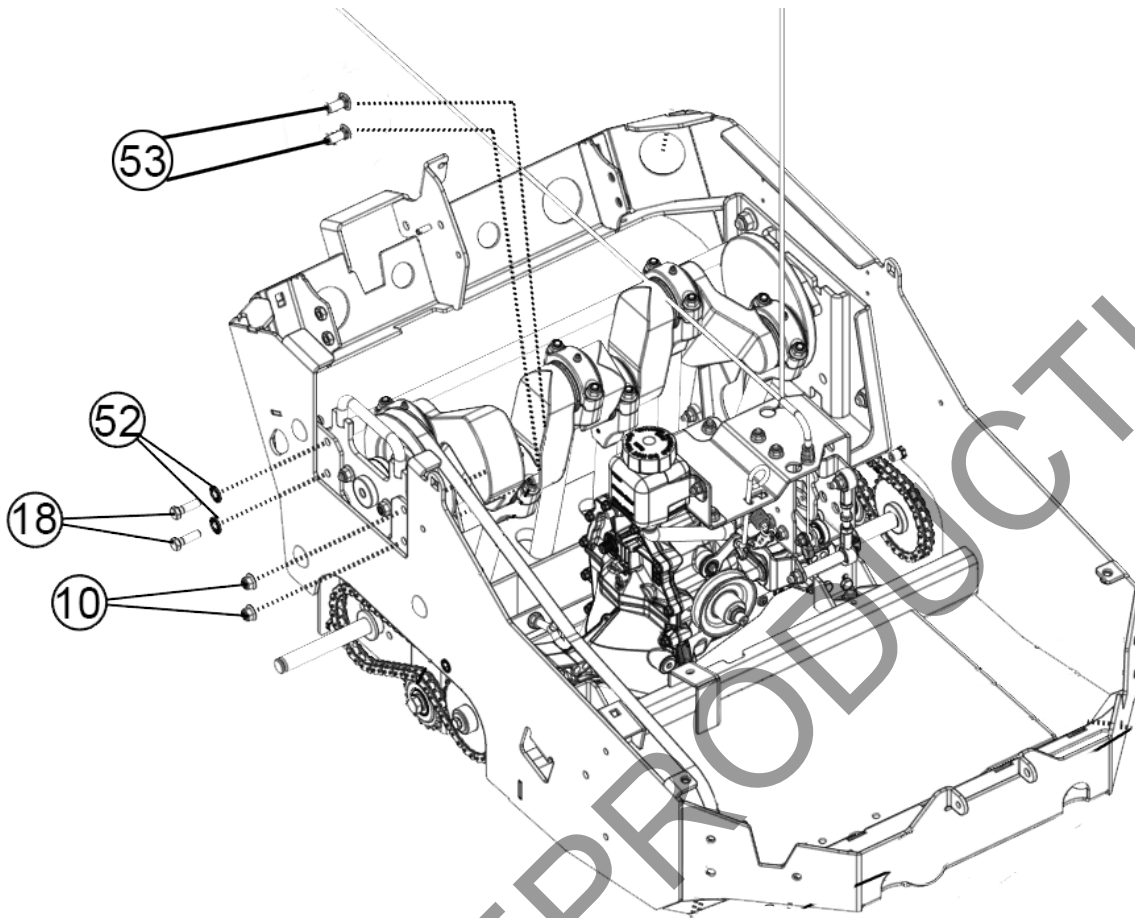
PL2501SP Parts Drawings



PL2501SPH & PL2501SPV

Item No.	Description	Part No.	QTY
10	NUT-HEX-NYLK, FLG .375"-16 ZP	8165003	1
14	NUT-HEX-NYLK, FLG .3125"-18 ZP	8165002	4
29	SCREWCAP 5/16"-18 X 3" GR 5 HCS ZP	8041036	4
41	WA, SPROCKET WHEEL DRIVE	382105	2
42	SCR-CAP, HEX .3125"-24 X .750" EP42 G5ZP	8042026	2
43	WSHR-STL, BLV .322" X .938" X .072" MZ	8181014	2
44	SCREWCAP 1/2"-13 X 1 3/4" HCS ZP GR. 5	8041097	2
45	SPROCKET, IDLER 17T X 1/2" BORE	373229	2
46	WSHR-STL,FLT .500"X.875"X.134" MAB ZP	382277	2
47	NUT-HEX-NYLK, FLG .500"-13 ZP	8165005	2
48	CHAIN, #40 X 61 PITCHES	371297	2
49	WA, FRONT TRANS MNT	382120	2
50	BOLT EYE G-2 3/8" x 2"	791081	1
51	NUT 3/8-16 SER. HEX WSHR FLNG	791079	1
63	ASM, WHEEL & TIRE PLUGR TURF	382239	2
64	SPROCKET, RWD 25T 40	382253	2
65	NUT 5/16"-18 SER. HEX WSHR FLNG ZP	350346	8
66	WASHER .765" IDX1.25"ODX.06"	850238	2
67	RING RETAINING "E" 3/4"	850230	2

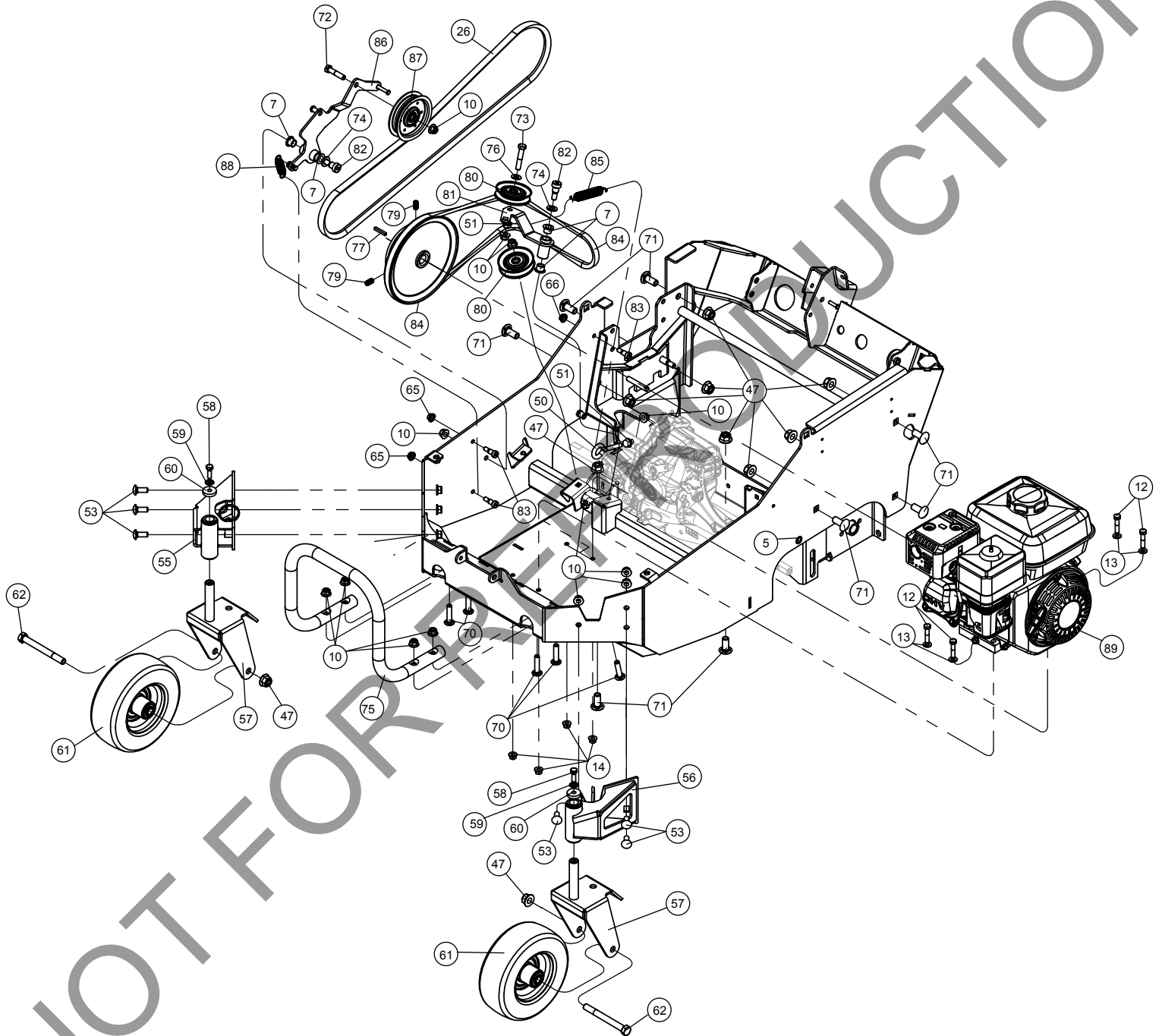
PL2501SP Parts Drawings



PL2501SPH & PL2501SPV

Item No.	Description	Part No.	QTY
10	NUT-HEX-NYLK, FLG .375"-16 ZP	8165003	2
18	SCREWCAP 3/8"-16 X 1 1/4" HCS ZP	8041051	2
52	WSHR-STL, BLV, .402 X .877 X .063 CN MZ	8181011	2
53	BLT-RDHDSSQNK, .375"-16 X 1.000 G5 ZP	8024058	8

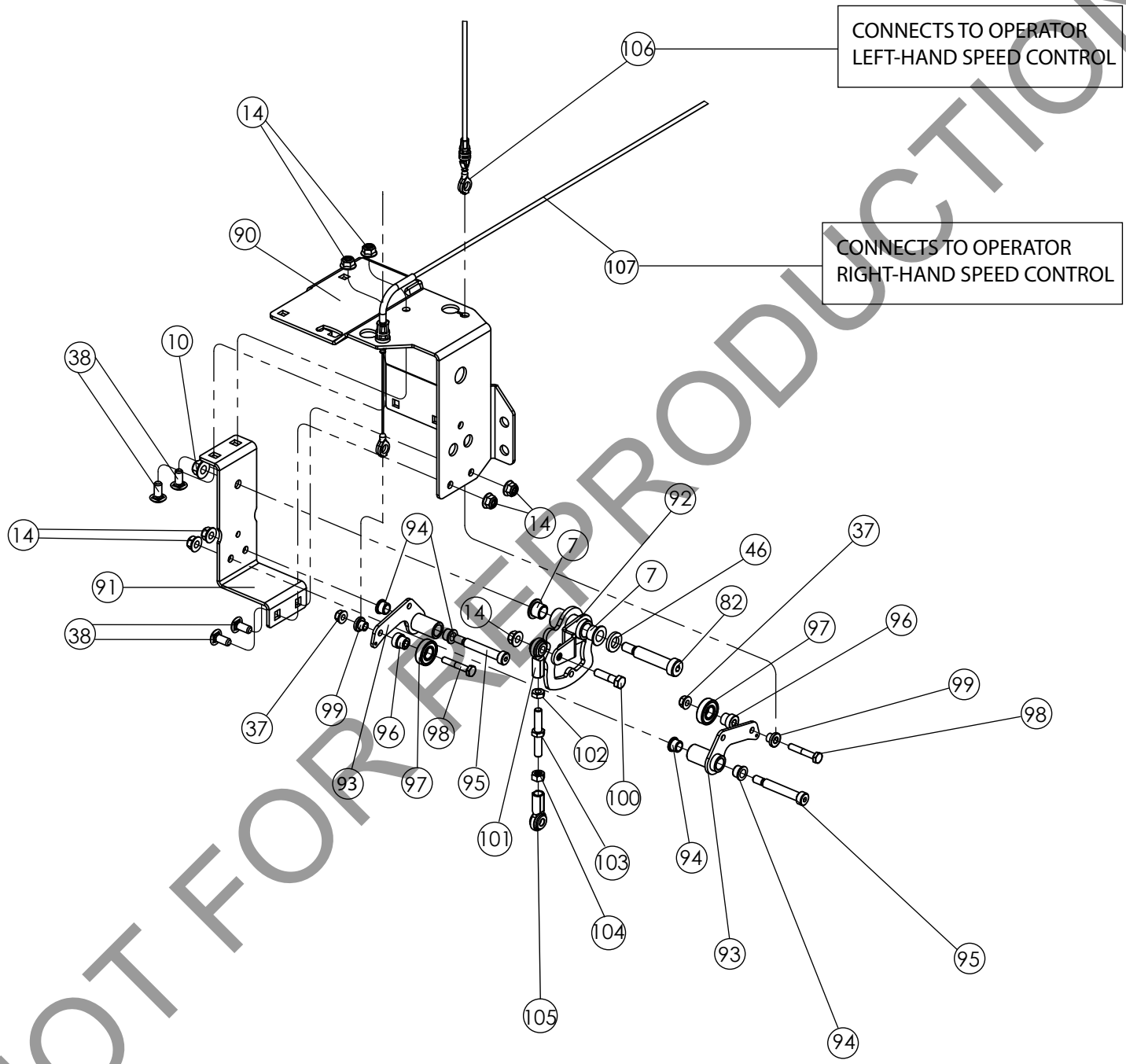
PL2501SP Parts Drawings



PL2501SP Parts Drawings

Item No.	Description	PL2501SPH		PL2501SPV	
		Part No.	QTY	Part No.	QTY
5	NUT INSERT HEX 5/16-18	REF	4	REF	4
7	BUSHING, .500" I.D.	362254	8	362254	8
10	NUT-HEX-NYLK, FLG .375"-16 ZP	8165003	16	8165003	16
12	SCREWCAP 5/16"-18 X 1 1/2" GR 5 HCS ZP	8041030	4	8041030	4
13	WASHER 5/16 SAE Z/P	8172008	4	8172008	4
14	NUT-HEX-NYLK, FLG .3125"-18 ZP	8165002	4	8165002	4
26	BELT, V, 5L 61.82EL OHR ETH, AMD CD	382273	1	382273	1
47	NUT-HEX-NYLK, FLG .500"-13 ZP	8165005	10	8165005	10
51	NUT-HEX-FGLK, .375"-16 G5 ZP	791079	2	791079	2
53	BLT-RDHDSSQNK, .375"-16 X 1.000 G5 ZP	8024058	6	8024058	6
55	ASM, SUB CASTER WHEEL RH	382011-S	1	382011-S	1
56	ASM, SUB CASTER WHEEL LH	382012-S	1	382012-S	1
57	WA, CASTER WHEEL	382125	2	382125	2
58	SCREWCAP 5/16"-18 X 1" GR 5 HCS ZP	8041028	2	8041028	2
59	WASHER, BELLEVILLE CONTACT .323X.717X.05	8181010	2	8181010	2
60	WASHER 1.125 OD x 0.344 ID x .25 THK ZP	441150	2	441150	2
61	WHEEL, 8" X 3" HEAVY DUTY	373300	2	373300	2
62	SCREWCAP 1/2"-13 X 4 3/4 HCS ZP GR. 5	8041108	2	8041108	2
65	NUT 5/16"-18 SER. HEX WSHR FLNG ZP	350346	3	350346	3
70	BLT-RDHDSSQNK, .375"-16 X 1.750" G5 ZP	8024067	5	8024067	5
71	BLT-RDHDSSQNK, .500"-13 X 1.250" G5 ZP	8024097	8	8024097	8
72	SCREWCAP 3/8"-16 X 1 3/4" HCS ZP	8041053	1	8041053	1
73	SCREWCAP 3/8"-16 X 2" HCS ZP	8041054	1	8041054	1
74	WSHR-STL,FLT .500"X.875"X.0747" MAB ZP	382252	2	382252	2
75	GUARD, FRONT	382401	1	382401	1
76	WASHER 3/8 SAE 13/32 X 13/16 X 1/16	8172009	1	8172009	1
77	KEY 3/16" SQ X 1 1/4"	9201080	1	9201080	1
79	SCREW SET 3/8-16 X 3/4 CUP POINT	380218	2	380218	2
80	PULLEY 3V GROOVE IDLER	351216	2	351216	2
81	WA, MULE DRIVE	382109	1	382109	1
82	BLT-SLDR,SH.500"X2.00",.375"-16X.63"G8ZP	382295	2	382295	2
83	BLT-SLDR,SH.375"X3.25",.313"-18X.50"G8ZP	351316	3	351316	3
84	BELT, V, 3V 53.00EL OHR CL, PLY CD	382268	1	382268	1
85	SPRING, IDLER BC2600	501261	1	501261	1
86	WA, IDLER ARM	382107	1	382107	1
87	PULLEY IDLER 4.00" OD X 3/8" BORE	500113	1	500113	1
88	SPRING IDLER UPPER OS900SP	351275	1	351275	1
89	ENGINE 5.5 HP HONDA GX160UT2HX2 W/GRBOX	360126	1	-	-
	ENGINE, VANGUARD 203CC W/6:1 3 AT 3	-	-	382323	1

PL2501SP Parts Drawings

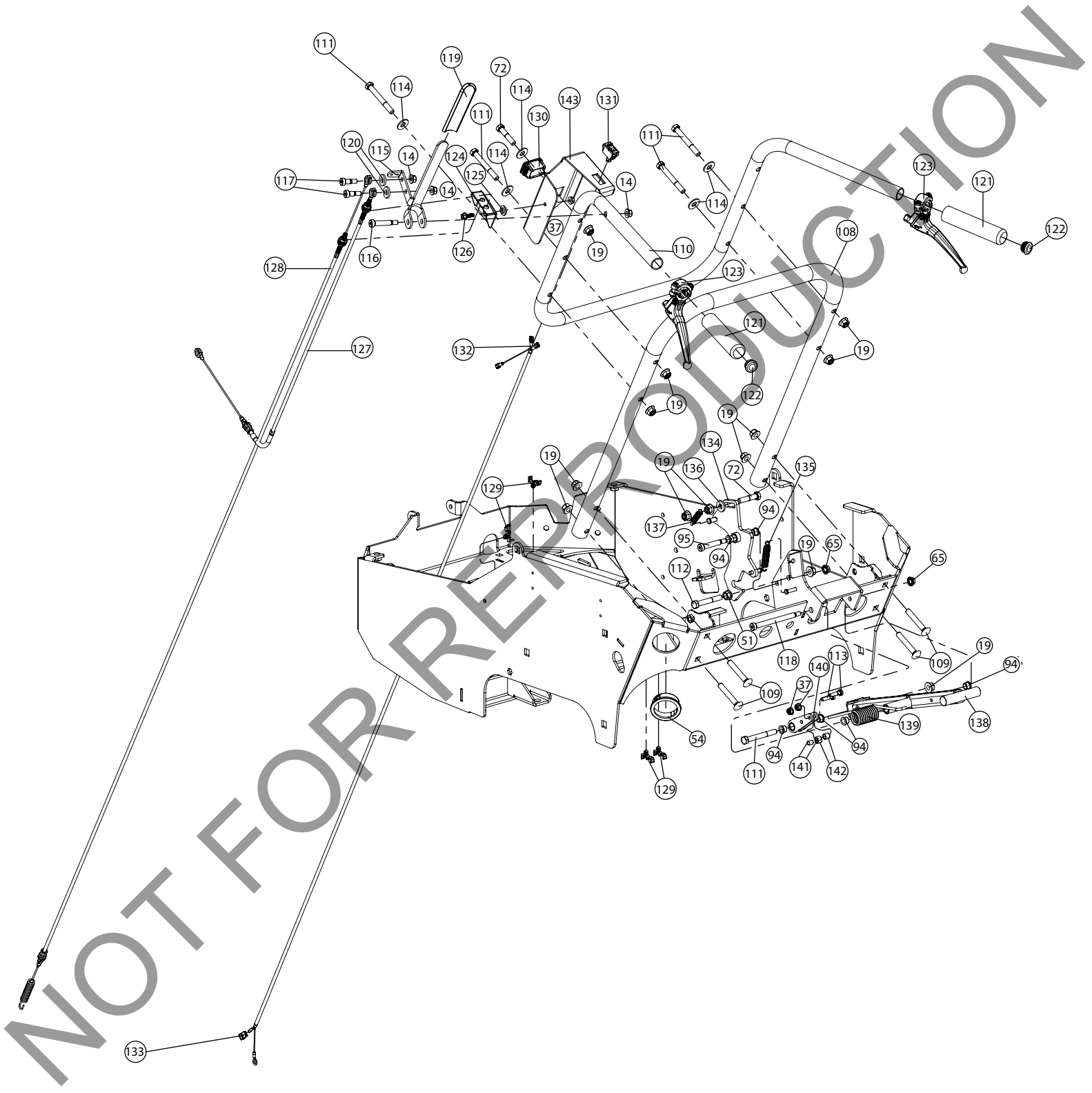


PL2501SP Parts Drawings

PL2501SPH & PL2501SPV

Item No.	Description	Part No.	QTY
7	BUSHING, .500" I.D.	362254	2
10	NUT-HEX-NYLK, FLG .375"-16 ZP	8165003	1
14	NUT-HEX-NYLK, FLG .3125"-18 ZP	8165002	7
37	NUT-HEX-NYLK, FLG .250"-20 ZP	8165001	2
38	BOLT CARRIAGE 5/16-18 X 3/4" ZP SHRT NK	362224	4
46	WSHR-STL,FLT .500"X.875"X.134" MAB ZP	382277	1
82	BLT-SLDR,SH.500"X2.00",.375"-16X.63"G8ZP	382295	1
90	ASM, PAINTED CABLE GUIDE W/DECAL	382122-S	1
91	PLATE, LONGMEYER BOX MNT	382208	1
92	CAM, SPEED CONTROL WA	373112	1
93	BELLCRANK BC2600 WA	501114	2
94	BUSHING 3/8 ID x 1/2 OD x 3/8	840078	4
95	BLT-SLDR,SH.375"X1.75",.313"-18X.50"G8ZP	351258	2
96	SPACER, SPEED CONTROL STEPPED PM	351347	2
97	BEARING .500 ID x 1.125 OD X .313 THK	351257	2
98	SCREWCAP 1/4"-20 X 1 1/2" HCS ZP	8041008	2
99	SPACER, SPEED CONTROL EYELET PM	351348	2
100	SCREWCAP 5/16"-18 X 1 1/4" GR 5 HCS ZP	8041029	1
101	SPHERICAL ROD END MSF-5	351278	1
102	NUT-HEX, JAM, .3125"-24 G2 YZ	8150002	1
103	JACKSCREW, 5/16"-24 RT AND LFT	362266	1
104	NUT 5/16-24 LFT HAND FIN HEX ZP	362322	1
105	SPHERICAL ROD END, FEMALE 5/16"-24 LFT	362269	1
106	CABLE, SPEED CONTROL RT	351219	1
107	CABLE, SPEED CONTROL ASSY PL	382274	1

PL2501SP Parts Drawings

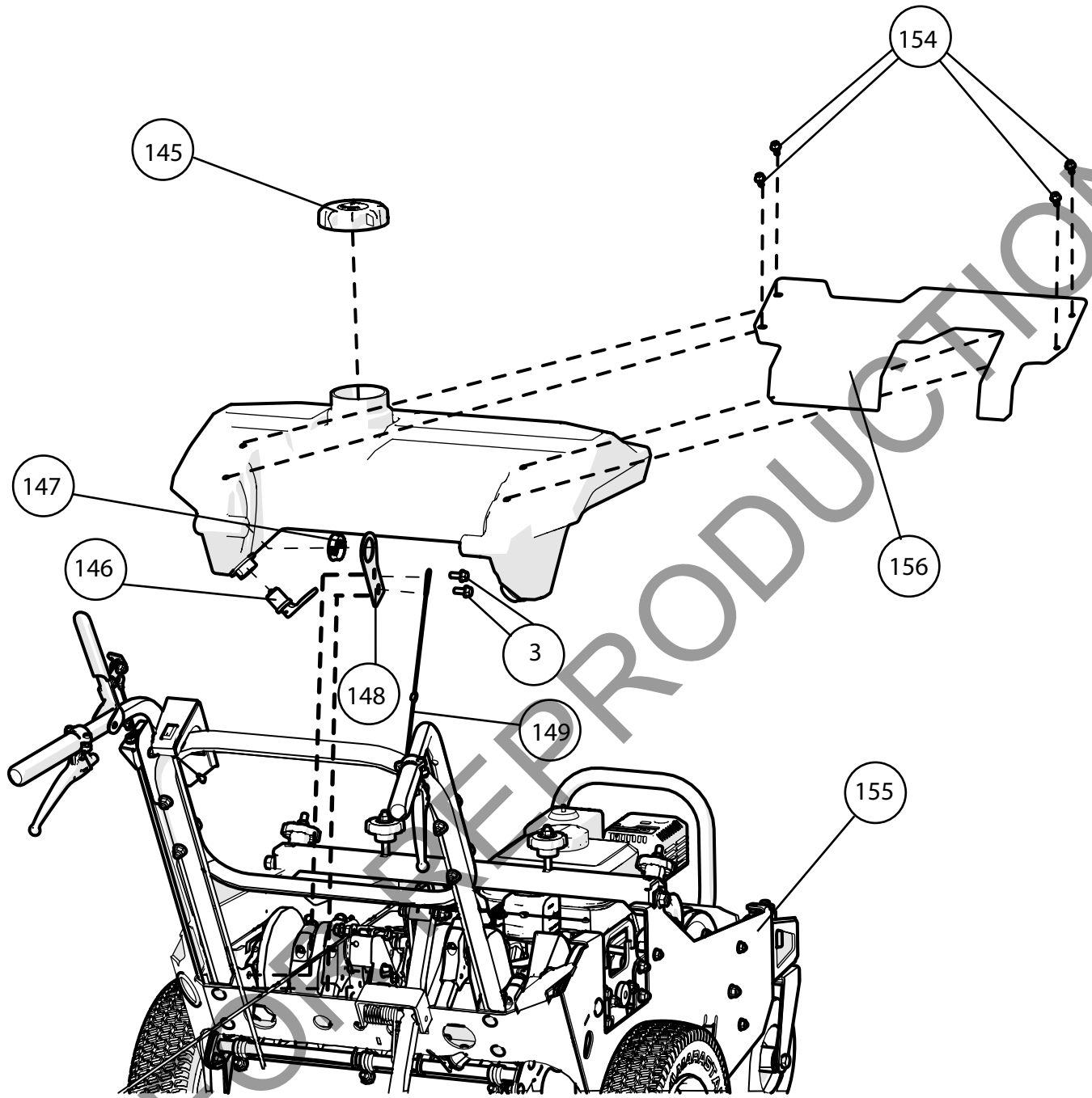


PL2501SP Parts Drawings

PL2501SPH & PL2501SPV

Item No.	Description	Part No.	QTY
14	NUT-HEX-NYLK, FLG .3125"-18 ZP	8165002	3
19	NUT-HEX-NYLK, FLG .375"-16 ZP	8165003	13
37	NUT-HEX-NYLK, FLG .250"-20 ZP	8165001	3
51	NUT-HEX-FGLK, .375"-16 G5 ZP	791079	1
54	BUSHING, SNAP 1.81" ID	382292	1
65	NUT 5/16"-18 SER. HEX WSHR FLNG ZP	350346	2
72	SCREWCAP 3/8"-16 X 1 3/4" HCS ZP	8041053	2
94	BUSHING 3/8 ID x 1/2 OD x 3/8	840078	6
95	BLT-SLDR,SH.375"X1.75",.313"-18X.50"G8ZP	351258	1
108	HANDLEBAR, LOWER PL2501	382404	1
109	BOLT CARRIAGE 3/8-16 X 2 1/2" ZP	8024064	4
110	HANDLEBAR, UPPER PL2501	382403	1
111	SCREWCAP 3/8"-16 X 3" HCS ZP	8041058	5
112	SCREWCAP 3/8"-16 X 2 1/2" HCS ZP	8041056	1
113	SCREWCAP 1/4"-20 X 1" HCS ZP	8041006	2
114	SCR-CAP, HEX .250"-20 X 0.750" G8 YZ	8071004	5
115	LEVER CLUTCH/SEED DROP OS900SP	351212	1
116	BLT-SLDR,SH.375"X1.50",.313"-18X.50"G8ZP	501313	1
117	BLT-SLDR,SH.375"X.50",.313"-18X.50"G8ZP	382263	2
118	BLT-SLDR,SH.375"X4.00",.313"-18X.50"G8ZP	382285	1
119	GRIP LEVER .125" X 1" X 5" ORANGE	500379	1
120	WSHR-STL, FLT, .406" X .875" X .125" ZP	382202	2
121	GRIP HANDLE 1" X 5.5"	500267	2
122	INSERT GLIDE 1 INCH 10-14 GA	890132	2
123	MAGURA CONTROL	351209	2
124	BRKT, CABLE MOUNT	382275	1
125	WASHER, SHOULDER .265"X.437"X.125" NYL	382232	1
126	SCR-MAC, HWH .250"-20 X .750" G2 ZP	8059134	1
127	CABLE, AUTO ENGAGE	382303	1
128	CABLE, CLUTCH	382304	1
129	CLIP CABLE - THICK PANEL	371222	4
130	HOURLMETER, INDUCTIVE PANEL MOUNT	373305	1
131	SWITCH LKG RKR B&S #493521	500281	1
132	HARNESS, STOP SWITCH WIRE	373312	1
133	TERMINAL 18-14 BLUE T-TAP	840215	1
134	WA, TINE LATCH	382119	1
135	SPRING EXTENSION 1/2 OD, 3-5"	381663	1
136	WSHR-NYL, FLT, .385" X .880" X .125"	382241	1
137	SPRING EXTENSION	800242	1
138	WA, LIFT PEDAL	382117	1
139	SPRING,TOR,Ø.865IDX.180"WDX0.702#-IN/°	382294	1
140	WA, UPPER TINE LINK	382127	1
141	SPACER, TINE LINK	382278	2
142	BRG, SLEEVE Ø.313" X Ø.438" X .375"	382279	2
143	WA, SWITCH & HOUR METER MOUNT	382121	1

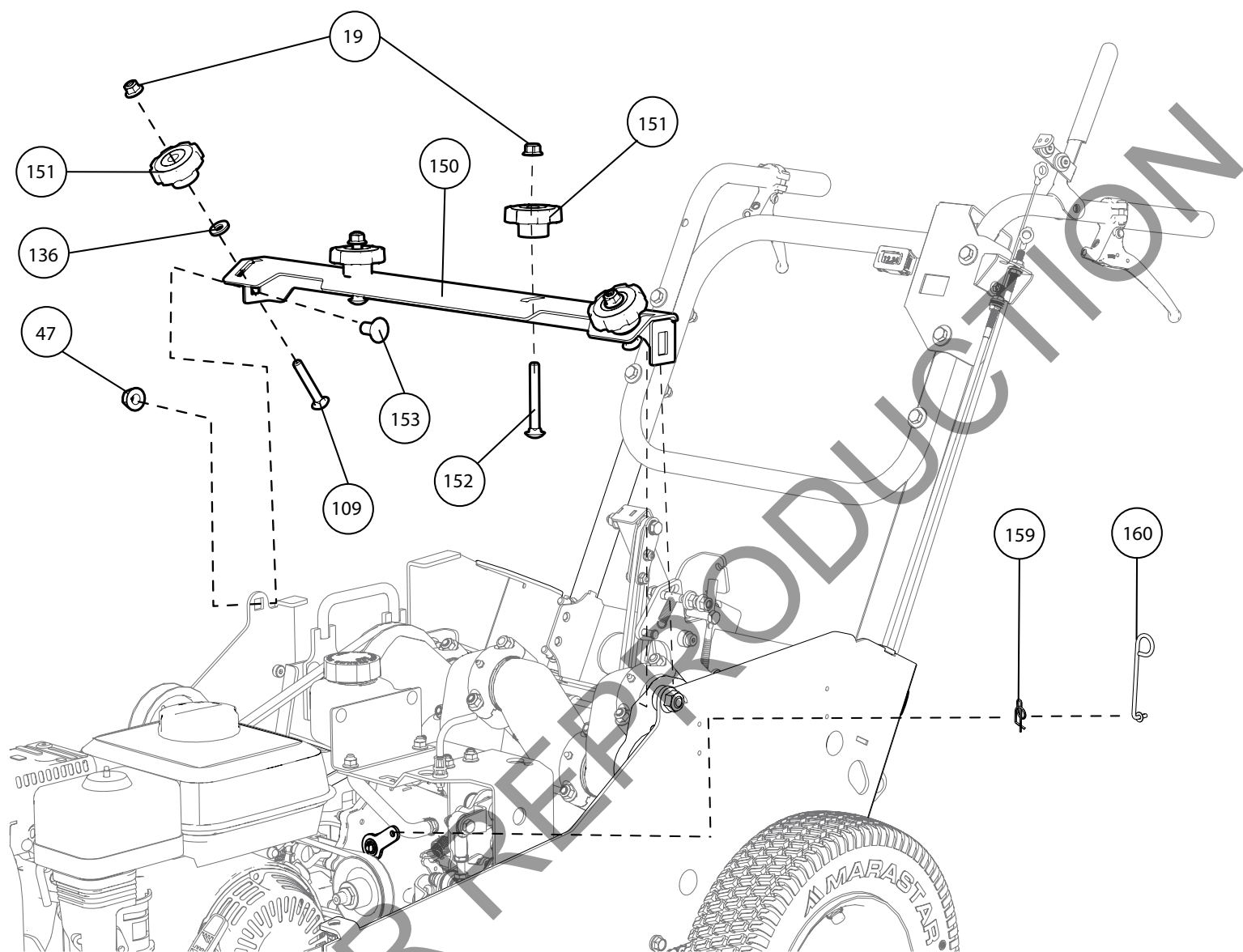
PL2501SP Parts Drawings



PL2501SPH & PL2501SPV

Item No.	Description	Part No.	QTY
3	SER. HEX WSHR FLNG SCR 5/16" - 18 x 3/4"	351264	1
144	TANK, WATER PL2501	382301	1
145	CAP KELCH 3.5" W/LANYARD	360256	2
146	PLUG DRAIN 1"	360293	2
147	BUSHING, SNAP 1.31" ID	382240	2
148	BRKT, PIVOT WATER TANK	382289	2
149	LANYARD PLASTIC 10"	360243	4
154	BOLT 1/4-20 x 1/2 SER FLANGE	812381	4
155	ASM, PAINTED BODY W/DECALS & INSERTS	382113-S	1
156	ASM, PAINTED COVER W/DECALS	382256-S	1

PL2501SP Parts Drawings



PL2501SPH & PL2501SPV

Item No.	Description	Part No.	QTY
19	NUT-HEX-NYLK, FLG .375"-16 ZP	8165003	4
47	NUT-HEX-NYLK, FLG .500"-13 ZP	8165005	2
109	BOLT CARRIAGE 3/8-16 X 2 1/2" ZP	8024064	2
136	WSHR-NYL, FLT, .385" X .880" X .125"	382241	2
150	SUPPORT, SHIELD & TANK	382223	1
151	KNOB 3/8-18, SOLID HUB	811230	4
152	BOLT CARRIAGE 3/8-16 X 3" ZP	8024066	2
153	BLT-RDHDSQNK, .500"-13 X 1.000" G5 ZP	8024098	2
159	PIN, RUE RING 0.250"	371275	1
160	ROD, TRANSMISSION BYPASS	382324	1