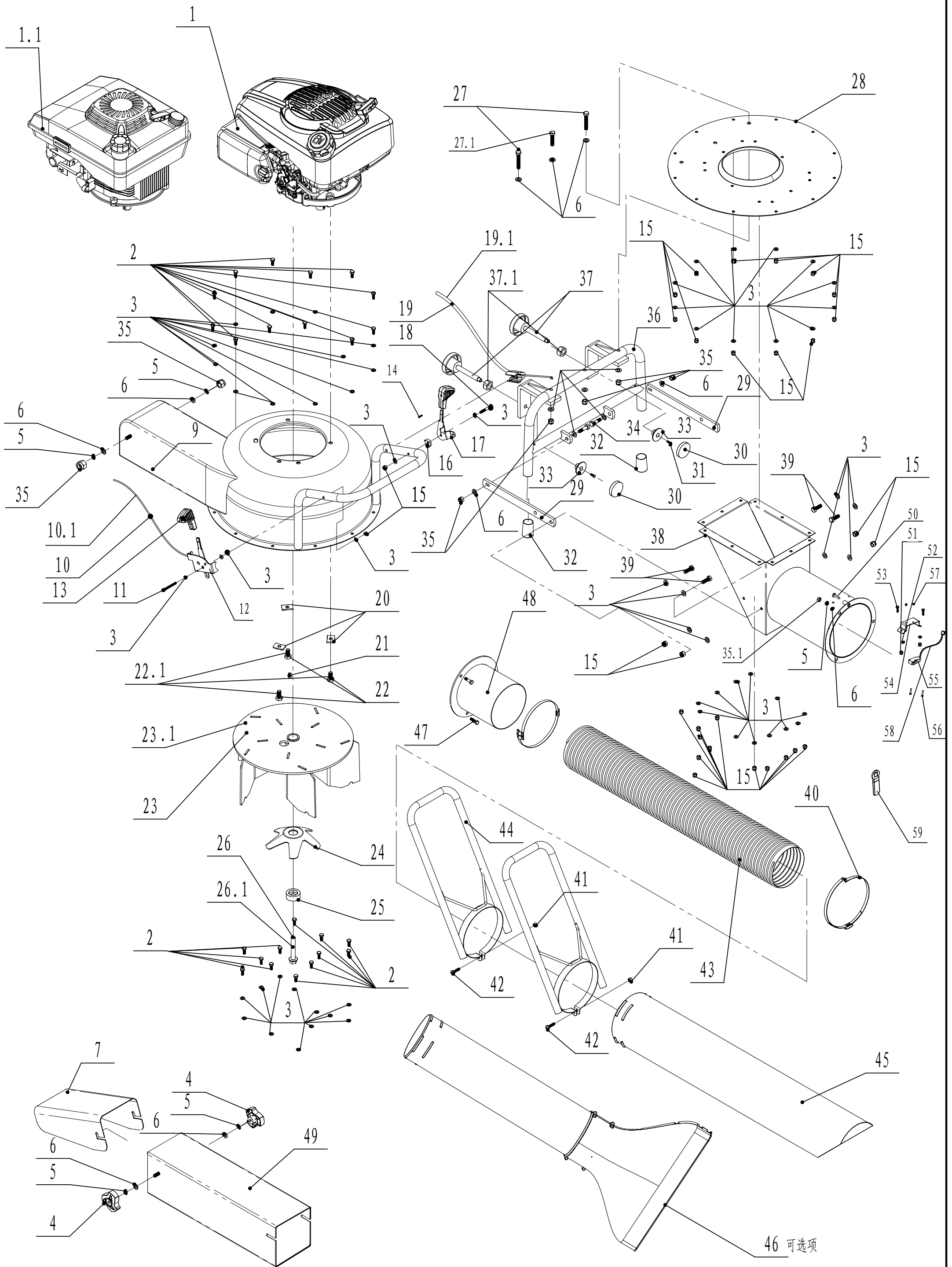


WBXYJ-吸叶机

WBLV50K (FJ180V川奇发动机)

WBLV50KL (XT-7柯勒发动机)



WBLV50KL/WBLV50K Spare parts price list

| Order | Part number | Name_Chinese | | Quantity | | |
|-------|---------------|------------------|-------------------------|----------|--|--|
| 1 | XT173 | KOHLER (科勒) | Engine KOHLER | 1 | | |
| 1, 1 | FJ180V | Kawasaki (川奇) | Engine Kawasaki | 1 | | |
| 2 | 0101006016 | M6×16六角螺栓 | bolt | 24 | | |
| 3 | 0301006000 | 垫圈6 | spacer | 58 | | |
| 4 | 4820541010 | 手轮 | knob | 2 | | |
| 5 | 0401008000 | 弹垫圈8 | spring washer | 7 | | |
| 6 | 2401008000 | 垫圈8 | spacer | 17 | | |
| 7 | XYJ000101/22 | 导板 | deflector | 1 | | |
| 8 | | | | | | |
| 9 | XYJ100000/21 | 机壳部件 | shell | 1 | | |
| 10 | XYJ600002 | 吸树叶机油门线 (科勒) | throttle cable kohler | 1 | | |
| 10, 1 | XYJ600006 | 吸树叶机油门线 (川奇) | throttle cable kawasaki | 1 | | |
| 11 | 0101006045 | 六角头螺栓M6×45 | bolt | 1 | | |
| 12 | 5360509010 | 油门架铆接 | | 1 | | |
| 13 | 5380510010 | 油门手柄头 | throttle bracket | 2 | | |
| 14 | 0106003013 | 十字盘头自攻螺栓 | | 2 | | |
| 15 | 0202006000 | 非金属锁紧螺母M6 | lock nut | 29 | | |
| 16 | XYJ600004 | 摩擦垫 | spacer | 1 | | |
| 17 | XYJ600003/22 | 离合手柄 | brake lever | 1 | | |
| 18 | 0101006040 | 六角头螺栓M6×40 | bolt | 1 | | |
| 19 | XYJ600001 | 抱刹线总成 | brake cable kohler | 1 | | |
| 19, 1 | XYJ600005 | 抱刹线总成 (川奇) | brake cable kawasaki | 1 | | |
| 20 | 5310112020 | 汽油机垫片 Φ10.1孔 | spacer | 4 | | |
| 21 | 5310401010 | 半圆键 | key | 1 | | |
| 22 | 4820102011 | 三角自锁螺钉3/8-16牙-32 | lock screw | 3 | | |
| 22, 1 | 0102010025 | 法兰边六角螺栓 M10×25 | bolt | 4 | | |
| 23 | XYJ200000/22 | 风盘部件 (科勒) | turbine wheel kohler | 1 | | |
| 23, 1 | XYJ200010/22 | 风盘部件 (川奇) | turbine wheel kawasaki | 1 | | |
| 24 | XYJ000102/22 | 碎叶刀片 | blade | 1 | | |
| 25 | XYJ-000103/02 | 刀片压圈 | spacer | 1 | | |
| 26 | XYJ000104 | 中心螺栓75 (科勒) | central bolt kohler | 1 | | |
| 26, 1 | XYJ200011 | 中心螺栓75 (川奇) | central bolt kawasaki | 1 | | |
| 27 | 0101008055 | 螺栓 M8×55 | bolt | 2 | | |
| 27, 1 | 0101008040 | 螺栓 M8×40 | bolt | 1 | | |
| 28 | XYJ000109/21 | 底板 | plate | 1 | | |
| 29 | XYJ000108/22 | 拉条 | rod | 2 | | |

| | | | | | | |
|-------|----------------|--------------|-----------------|----|--|--|
| 30 | XYJ000107 | 压板套 | bush | 2 | | |
| 31 | 0103005012 | 内六角螺栓M5×12 | inner hex bolt | 2 | | |
| 32 | XYJ000110 | 弯管套 | sheath | 2 | | |
| 33 | XYJ000105 | 压板 | presser | 2 | | |
| 34 | 0101008030 | 螺栓M8×30 | bolt | 2 | | |
| 35 | 0202008000 | 自锁螺母M8 | lock nut | 10 | | |
| 35, 1 | 0201008000 | 螺母M8 | nut | 3 | | |
| 36 | XYJ400000/22 | 撑架部件 | chassis | 1 | | |
| 37 | XYJ000112 | 塑料手柄 | knob | 2 | | |
| 37, 1 | 0201012000 | 螺母M12 | nut | 2 | | |
| 38 | XYJ300000/21 | 进风口部件 | intake tube | 1 | | |
| 39 | 0101006020 | 螺栓M6×20 | bolt | 4 | | |
| 40 | XYJ510003 | 软管专用报箍 | clamp | 1 | | |
| 41 | 0201006000 | 螺母M6 | nut | 2 | | |
| 42 | 0104006025 | 十字槽盘头螺钉M6×25 | screw | 2 | | |
| 43 | XYJ000111 | 吸管 4M长 | hose | 1 | | |
| 44 | XYJ510000/20 | 吸树叶口把手焊接 | handle | 2 | | |
| 45 | XYJ500001 | 吸树叶口 | nozzle | 1 | | |
| 46 | WBXYJ500003 | 扁吸树叶口（可选项） | nozzle2 options | 1 | | |
| 47 | 0101008025 | 螺栓 M8×25 | bolt | 3 | | |
| 48 | XYJ000114/21 | 短圆接口 | adapter | 1 | | |
| 49 | XYJ000113/21 | 方接口 | discharge chute | 1 | | |
| 50 | XYJ000116P2 | 行程开关芯 | sliding pin | 1 | | |
| 51 | 0202005000 | 自锁螺母M5 | lock nut | 2 | | |
| 52 | 0301005000 | 平垫5 | spacer | 2 | | |
| 53 | 0104005012 | 十字槽盘头螺钉M5×12 | screw | 2 | | |
| 54 | XYJ000116P1/21 | 行程开关架 | bracket | 1 | | |
| 55 | 8SH061020 | 行程开关 | switch | 1 | | |
| 56 | 0104003016 | 十字盘头螺钉M3×16 | screw | 2 | | |
| 57 | 0202003000 | 自锁螺母M3 | lock nut | 2 | | |
| 58 | | 塑料电线护套 约0.6M | sheath | 1 | | |
| 59 | 40E0109000/02 | 压线鼻（柯勒2件）（川奇 | terminal | 2 | | |