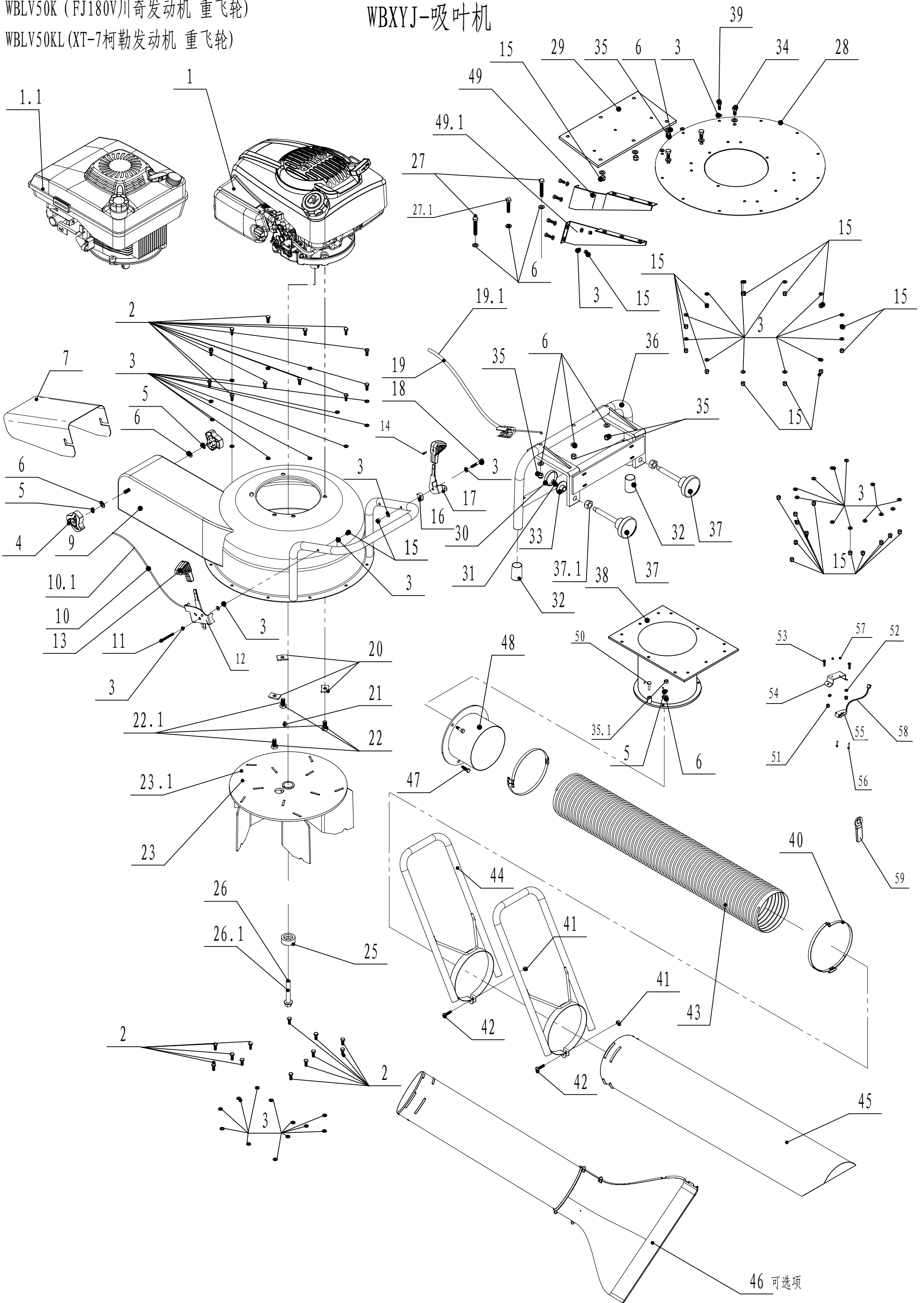


WBLV50K (FJ180V川奇发动机 重飞轮)

WBLV50KL (XT-7柯勒发动机 重飞轮)

WBXYJ-吸叶机



Ersatzteillisten

WB LV 50 K

Nr	Ersatzteilnummer	Bezeichnung Englisch	Anzahl
1	XT173	Engine KOHLER	1
1,1	FJ180V	Engine Kawasaki	1
2	0101006016	bolt	14
3	0301006000	spacer	58
4	4820541010	knob	2
5	0401008000	spring washer	7
6	2401008000	spacer	20
7	XYJ000101/22	deflector	1
9	XYJ100000/21	shell	1
10	XYJ600002	throttle cable kohler	1
10,1	XYJ600006	throttle cable kawasaki	1
11	0101006045	bolt	1
12	5360509010		1
13	5380510010	throttle bracket	2
14	0106003013		2
15	0202006000	lock nut	29
16	XYJ600004	spacer	1
17	XYJ600003/22	brake lever	1
18	0101006040	bolt	1
19	XYJ600001	brake cable kohler	1
19,1	XYJ600005	brake cable kawasaki	1
20	5310112020	spacer	4
21	5310401010	key	1
22	4820102011	lock screw	3
22,1	0102010025	bolt	4
23	XYJ200000/22	turbine wheel kohler	1
23,1	XYJ200010/22	turbine wheel kawasaki	1
26	XYJ000104	central bolt kohler	1
26,1	XYJ200011	central bolt kawasaki	1
27	0101008055	bolt	2
27,1	0101008040	bolt	1
28	XYJ000109A/21	plate	1
29	XYJ000114A/21	Bottom stiffener	1
30	XYJ000107	bush	2
31	0103005012	inner hex bolt	2
32	XYJ000110	sheath	2
33	XYJ000105	presser	2
34	0101008030	bolt	2

35	0202008000	lock nut	10
35,1	0201008000	nut	3
36	XYJ400000A/22	chassis	1
37	XYJ000112	knob	2
37,1	0201012000	nut	2
38	XYJ300002/21	intake tube	1
39	0101006020	bolt	4
40	XYJ510003	clamp	1
41	0201006000	nut	2
42	0104006025	screw	2
43	XYJ000111	hose	1
44	XYJ510000/20	handle	2
45	XYJ500001	nozzle	1
46	WBXYJ500003	nozzle2 options	1
47	0101008025	bolt	3
48	XYJ000114/21	adapter	1
49	XYJ000108A/22	left-rod	1
49.1	XYJ000117/22	right-rod	1
50	XYJ000116P2	sliding pin	1
51	0202005000	lock nut	2
52	0301005000	spacer	2
53	0104005012	screw	2
54	XYJ000116P1/21	bracket	1
55	8SH061020	switch	1
56	0104003016	screw	2
57	0202003000	lock nut	2
59	40E0109000/02	terminal	2