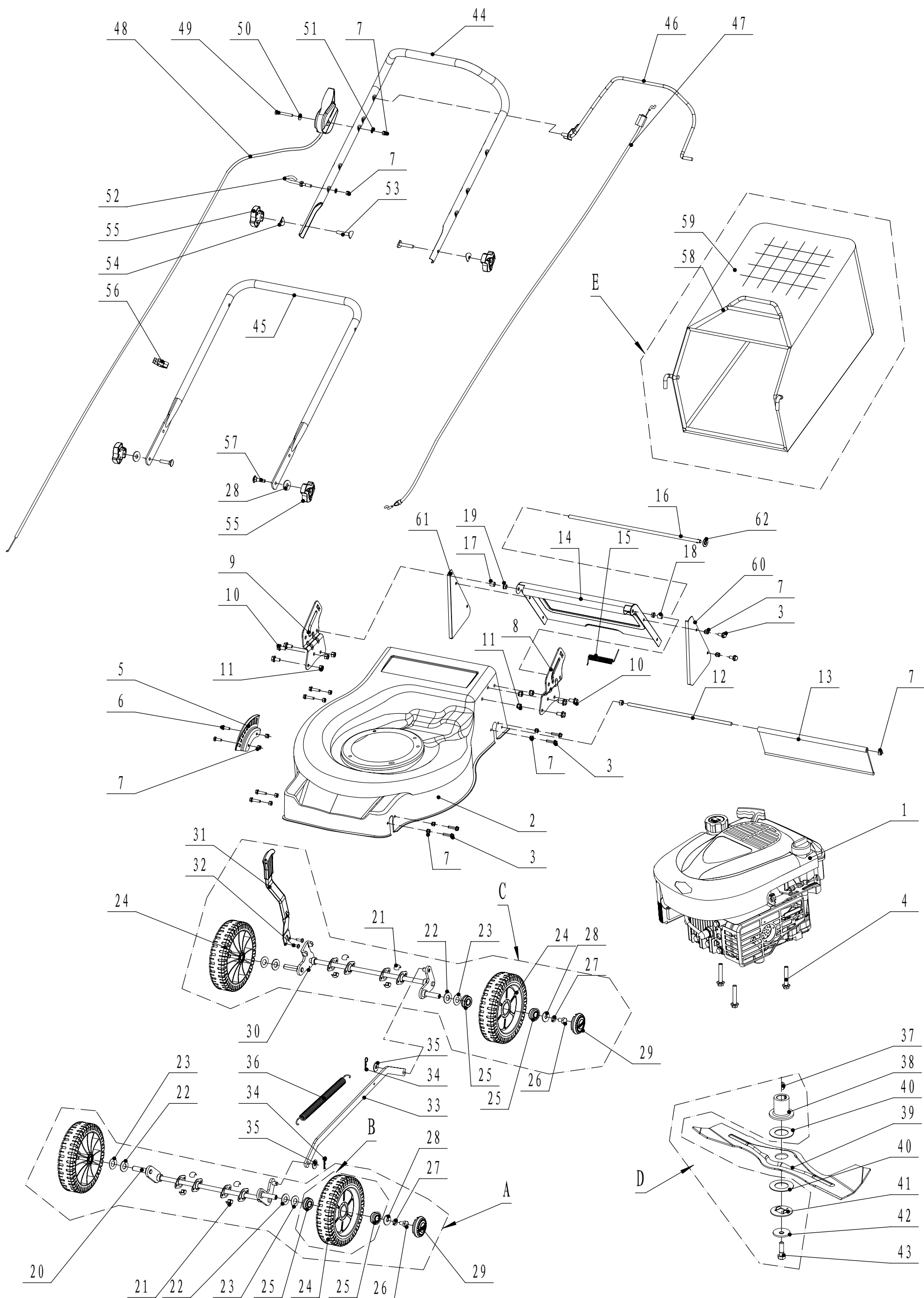


# WB506HB 6HP 50HB060002B



**WB506HB Ersatzteilliste**

Order	Artikel Nummer	Bez.: Deutsch	Bez.: Englisch	Anzahl
1	126T02	Motor	engine	1
2	5010101050	Gehäuse	mower chassis assembly	1
3	102006012	Bolzen	hex flange bolt	12
4	5320115010	Mutter	triangle lock nut	3
5	5010109010	Höheneinstellung	height adjustment	1
6	104006014	Bolzen	cross slot bolt	2
7	202006000	Mutter	lock nut	18
8	5010106010	Halter links	left bracket	1
9	5010106011	Halter rechts	right bracket	1
10	102008016	Bolzen	hex flange bolt	6
11	202008000	202008000	lock nut	6
12	5020117010	Stange	rear deflector pivot	1
13	4510111010	Hintere Abdeckung	rear deflector	1
14	5020125010	Hintere Klappe	rear cover	1
15	5020127010	Feder	rear cover torsional	1
16	5020126010	Stange	rear cover pivot	1
17	5320136010	Buchse	bush(long)	1
18	5320137010	Buchse	bush	1
19	5320127021	Nylon Buchse	rear deflector nylon cover	2
20	5020201010	Vorderachse	front axis weldment	1
21	5310209010	Kugellager	ball bearing	4
22	5310210010	Scheibe	wheel and axis mat	4
23	5310211010	Scheibe	equalizing spring	4
24	5310212010	Rad	wheel	4
25	5310213010	Lager	bearing	8
26	101008015	Bolzen	bolt	4
27	401008000	Federscheibe	spring washer	4
28	301008000	Scheibe	flat washer	6
29	5310214010	Radkappe	wheel hub cover	4
30	5010301020	Hinterachse	rear axis assembly	1
31	5330302010	Höheneinstellhebel	height adjustment handle	1
32	104005008	Bolzen	cross slot bolt	2
33	5020312010	Verstellstange	draw staff	1
34	5320333010	Sicherungsring	draw staff check ring	2
35	301010000	Scheibe	flat washer	2
36	5320332010	Feder	draw staff reed	1
37	5310401010	Keil	key	2
38	5330402010	Messerhalter	connecting axis bush	1
39	5020405010	Messer	20" blade	1
40	5310402010	Reibscheiben	friction mat	2
41	5310404010	Ring	fixation block board	1
42	5310406010	Feder	spring	1
43	5310415010	Mutter	hub nut	1
44	5010501010	Holm oben	upper handle	1
45	5020502010	Holm unten	lower handle	1
46	5010503010	Bremsgriff	brake handle assembly	1
47	5010505011	Bremskabel	brake cable assembly	1
48	5320507010	Kabel	accelerograph cable	1
49	104006050	Bolzen	cross slot bolt	1

50	302006000	Scheibe	flat washer	1
51	301006000	Scheibe	flat washer	2
52	4510511010	Startseilknopf	start rope hook	1
53	5310510010	Bolzen	connecting bolt	2
54	4510510010	Scheibe	arc washer	2
55	4820541010	Knopf	plastic twist grip	4
56	5320517010	Kabelhalter	cable pin	1
57	4510513010	Bolzen	square neck bolt	2
58	5020602010	Rahmen	grass catcher frame	1
59	5020603010	Fangsack	grass catcher	1
60	5020128010	Abdeckung links	rear cover left bracket	1
61	5020129010	Abdeckung rechts	rear cover right bracket	1
62	4510114030	Buchse	shaft lock cap	1