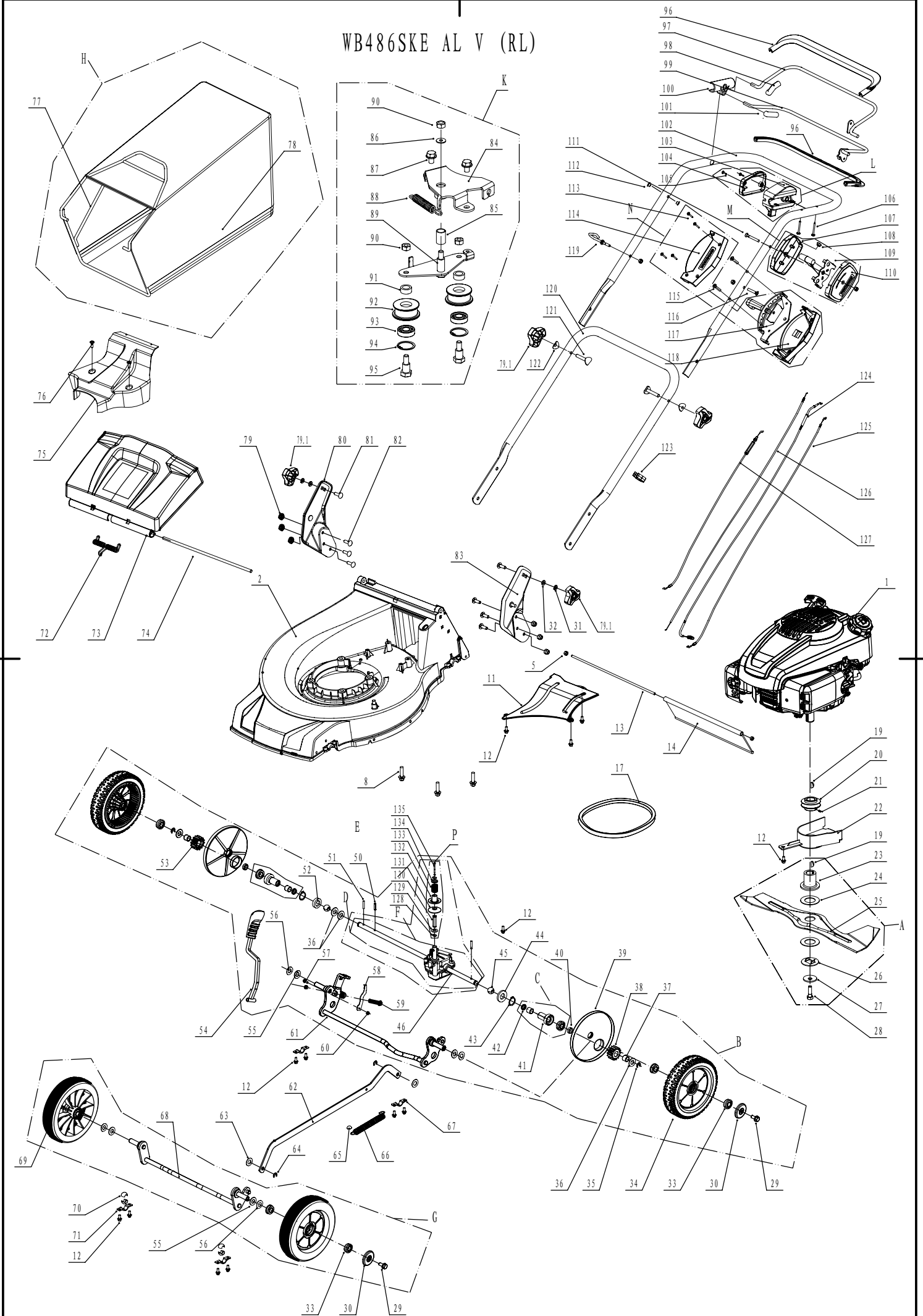


# WB486SKE AL V (RL)



Nr.	Ersatzteilnummer	Bezeichnung Deutsch	Bezeichnung Englisch	Anzahl
1	XT675	Motor	engine	1
2	4860101010/43	Gehäuse	mower chassis	1
5	0202006000	Sechskant Sicherungsmutter	prevailing torque type hexagon thin nuts with nonmetallic insert	9
8	4820102010	Schraube	bolt	3
11	4820103010/43	Schutz	lower deflector	1
12	4820104011	Sechskant Lochschraube	bolt	13
13	5020117010/02	Stange	tail pivot	1
14	4510111030	Schutz	tail deflector	1
17	5320112010S	Keilriemen	V belt V10x783	1
19	4510401010	Keilriemen	key	2
20	5380402020/02	Riemenscheibe		
21	0105006006	Lochschraube		
22	4820402012	Riemenschutz	lower belt shield	1
23	5330402020/02	Messerhalter	straight blade adaptor	1
24	5310402010	Friktionsscheibe	friction disc	2
25	4860401010/22	Messerhalter	straight blade	1
26	5310404010/02	Ring	clip	1
27	5310406010/04	Scheibe	dishing spring	1
28	4510408010	Messerbolzen	hub bolt	1
29	0102008016	Bolzen	bolt	4
30	48R0210012/01	Abdeckscheibe		4
31	0401008000	Federscheibe	spring washer	5
32	0301008000	Unterlegscheibe	flat washer	2
33	5310213010	Lager	bearing	10
34	4820305011/43	Hinterrad	AL WHEEL	2
35	1301009000	Sicherungsring	check ring	2
36	5020311010/04	Scheibe	friction spacer	4
37	5320326010	Lager	bearing	4
38	5320320010	Zahnrad links	left output gear	1
39	4520308010	Rad Abdeckung	rear wheel dustproof cover	2
40	4820318010/02	Lager	main axis bush	2
41	5320324020/02	Hülse	bearing sheath	2
42	5320327010	Staubabdeckung	dustproof ring	2
43	1001020000	Sicherungsring	elastic ring for A-form axle	2
44	4820326010/02	Scheibe	bearing bracket left washer	1
45	5320328010	Nylon Lager	nylon ball bearing	2
46	Y20486V0	Getriebe	gearbox	1
50	0701005020	Federstift	spring pin	1
51	5320322010	Stift	slide pin	2
52	5320329010/20	Hülse	rear transmission spacer	1
53	5320321010	Zahnrad rechts	right pinion	1
54	5380311010/80	Höhenverstellsegment	height adjustment handle compon	1
55	5310211010/04	Unterlegscheibe	wheel axle washer	4
56	5310210010/02	Scheibe	spacer spring	4
57	0101006015	Schraube	hexangular bolt-full thread	1
58	5380314010/04	Feder	armature spring	1
59	0101006055	Bolzen	hexangular bolt	1
60	0202005000	Sicherungsmutter	prevailing torque type hexagon thin nuts with nonmetallic insert	1
61	4860301010/01	Hinterachse	rear axle welding	1
62	4860304010/43	Verbindungsstange	connecting rod	1
63	4820306013	Nylon Scheibe	nylon mat	2
64	1301008000	Sicherungsring	check ring	2
65	4820307011	Scherungsring	check cap	1
66	4820307010	Feder	connecting rod spring	1

67	5320114020/02	Halterung	upper ball bearing bracket	2
68	4860301010/01	Hinterachse	front axle welding	1
69	5340206011/43	Vorderrad	8" AL front wheel	2
70	5310209010	Lager	ball bearing	4
71	4820208010/02	Klammer	front ball bearing bracket	2
72	4860106010	Feder	rear cover torsional spring	1
73	4860104010	Abdeckung	rear cover	1
74	4860105010/01	Abdeckung	rear cover shaft	1
75	4860103010	Schutz	upper pulley shield	1
76	4820122010	Lochschaube	inner hexagon tapping screw	2
77	4820602010/22	Rahmen	grass catcher frame	1
78	4820611013/81	Fangsack	grass catcher	1
79	0202008000	Sicherungsmutter	prevailing torque type hexagon thin nuts with nonmetallic insert	6
79,1	4820541010/80	Drehgriff (rot)	plastic twist grip	4
80	4820125010/22	Halter (rechts)	right bracket assembly	1
81	4510513010/01	Bolzen	square neck bolt	2
82	4510513020/01	Bolzen	square neck bolt	6
83	4820123010/22	Halter(links)	left bracket assembly	1
84	4820109010/22	Halterung	tensional arm bracket weldment	1
85	4820112010	Nylon Klammer	nylon bush for tensional arm	1
86	302008000	Scheibe	big spacer	1
87	4820113010	Bolzen	hexagon flange lock bolt	2
88	4820114010	Feder	spring for tensional arm	1
89	4820115010/02	Halter	tensional arm weldment	1
90	0202008000	Sicherungsmutter	hexagon flange lock nut	9
91	4820118010	Buchse	bush for tensional pulley	2
92	4820119010	Spannrolle	tensional pulley	2
93	6001/2RZ	Kugellager	bearing	2
94	0901028000	Sicherungsring	inner check ring	2
95	4820120010	Spannbolzen	tensional pulley bolt	2
96	4820501010	Hebel	lever harness	2
97	4820502010/22	Griff	lever weldment for engine barke	1
98	4820505010	Hebel Abdeckung	lever cover	1
99	4820506010/22	Hebel	lever weldment for drive control	1
100	4820511010	Klammer	pivot bracket	1
101	4820510010	Hebel Abdeckung	lever cover	1
102	4820512010/22	Oberer Holm	upper handle	1
103	4820515010	Kabelbox	cable box for control levers	1
104	4820516010	Kabelbox	cable box cover for control levers	1
105	0106004015	Schraube	cross slot screw	2
106	0106005040	Schraube	cross slot screw	2
107	4820520010	Rechtes Gehäuse f. Griff	right cover of throttle box	1
108	4820520020	Schild	plug of throttle box	1
109	4820518020	Gashebel	bracket assembly of throttle box	1
110	4820519010	Linkes Gehäuse f. Griff	left cover of throttle box	1
111	0108006050	Schraube	cross slot screw	1
112	4820513010	Deckel	plug for handle	2
113	0106004025	Schraube	cross slot screw	4
114	4820528010	Abdeckung	upper cover of drive control box	1
115	0108006030	Schraube	cross slot screw	2
116	0108006035	Schraube	cross slot screw	1
117	4820530010	Klammer	bracket assembly for drive	1
118	4820529010	Abdeckung	bottom cover for drive control	1
119	4510511010/01	Kabelhalter	hook for start knob	1
120	4820536010/22	Unterer Holm	low handle	1
121	5310510010/01	Schraube	bolt	2
122	4510510010/01	Scheibe	arc washer	2

123	5320517010	Kabelhalter	cable clamp	1
124	4820537010/A	Kupplungszug	cable for drive control	1
125	4820538021	Bremskabel	cable for engine brake	1
126	4320510011	Gaszug	throttle cable	1
127	4820540010	Kabel Fahrgeschwindigkeit	cable for tensional arm	1
128	1001017000	Sicherungsring	outside check ring	2
129	4820320010/02	Scheibe	inner hexagon spacer	1
130	4820321010/02	Schutz	inner hexagon adapter	1
131	5380309010	Scheibe	low disk of pulley	1
132	5380308010	Messerhalter	active disk of pulley	1
133	4820324010	Feder	spring	1
134	4820325010/02	Federschutz	spring cap	1
135	0103005055	Innensechskantschraube	inner hexagon screw	1