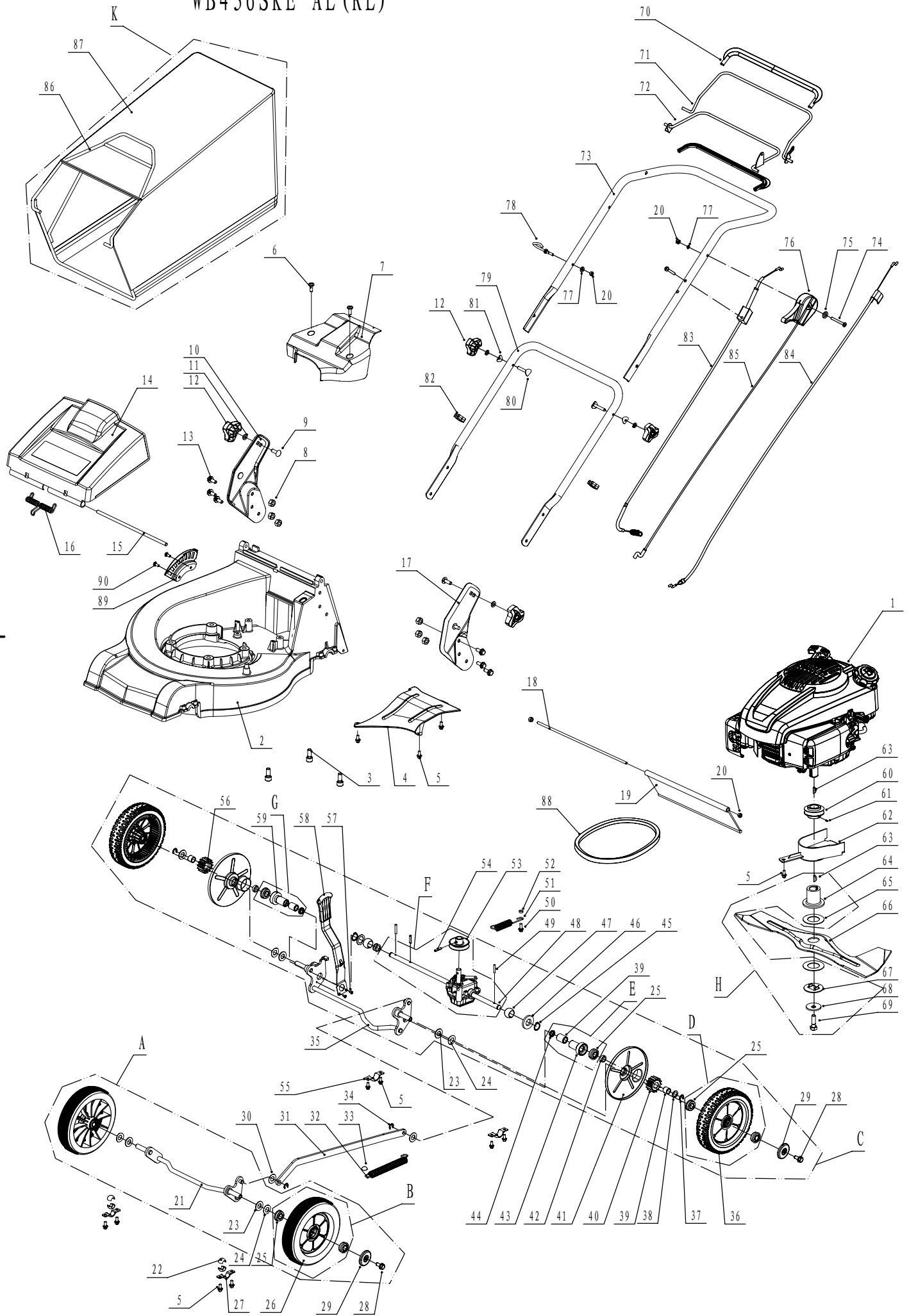


WB436SKE AL (RL)



| Nr. | Ersatzteilnummer | Bezeichnung Deutsch | Bezeichnung Englisch | Anzahl |
|-----|------------------|-------------------------|--------------------------------------|--------|
| 1 | XT675 | Motor | engine | 1 |
| 2 | 4320101010/43 | Gehäuse | mower chassis | 1 |
| 3 | 0103010025 | Innensechskant Schraube | inner hexagon screw | 4 |
| 4 | 4320102010/43 | Schutz | bottom deflector for discharge chute | 1 |
| 5 | 4820104010 | Schraube | hexagon flange lock screw | 12 |
| 6 | 4820122010 | Lochschaube | inner hexagon lock screw | 2 |
| 7 | 4320103010 | Oberer Schutz | upper belt shield | 1 |
| 8 | 0202008000 | Sicherungsmutter | hexagon lock nut | 6 |
| 9 | 4510513010/01 | Bolzen | square neck bolt | 2 |
| 10 | 4820125010/22 | Halter (rechts) | right bracket assembly | 1 |
| 11 | 0301008000 | Unterlegscheibe | flat washer | 6 |
| 12 | 4820541010 | Knopf | knob | 4 |
| 13 | 0102008016 | Bolzen | hexagon flange bolt | 6 |
| 14 | 4320115010 | Hintere Abdeckung | rear cover | 1 |
| 15 | 4320116010/01 | Stange | rear cover pivot | 1 |
| 16 | 4820128010 | Feder | rear cover torsional spring | 1 |
| 17 | 4820123010/22 | Halter (links) | left bracket assembly | 1 |
| 18 | 4320118010/02 | Stange | rear axis | 1 |
| 19 | 4320119010 | Hintere Ablenker | rear deflector | 1 |
| 20 | 0202006000 | Sicherungsmutter | hexagon lock nut | 5 |
| 21 | 4320201010A/01 | Vorderachse | front axle welding | 1 |
| 22 | 5310209010 | Lager | bearing | 4 |
| 23 | 5310210010/02 | Scheibe | spacer | 4 |
| 24 | 5310211010/04 | Unterlegscheibe | equalizing spring | 4 |
| 25 | 5310213010 | Lager | bearing | 10 |
| 26 | 5340206011-43 | Rad (vorn) | wheel AL | 2 |
| 27 | 4820208010 | Lagerhalter | bearing bracket | 2 |
| 28 | 0102008016 | Bolzen | hex flange bolt | 4 |
| 29 | 48R0210012/01 | Abdeckscheibe | hub cap | 4 |
| 30 | 4820306013 | Nylon Scheibe | nylon washer | 2 |
| 31 | 4320308010A/43 | Stange | draw staff | 1 |
| 32 | 4320309010 | Feder | draw staff spring | 1 |
| 33 | 4810309010 | Ring | D type check cap | 1 |
| 34 | 1301008000 | Sicherungsring | check ring | 2 |
| 35 | 4320301010A/01 | Achse | rear axle welding | 1 |
| 36 | 4820305011-43 | Rad hinten | wheel AL | 2 |
| 37 | 1301009000 | Sicherungsring | check ring | 2 |
| 38 | 5020311010/04 | Scheibe | friction disk | 4 |
| 39 | 5320326010 | Lager | bearing | 4 |
| 40 | 5320320010 | Zahnrad (links) | left output pinion | 1 |
| 41 | 4520308010 | Rad Abdeckung | rear wheel dustproof cover | 2 |
| 42 | 4820318010/02 | Lager | main axis bush | 2 |
| 43 | 5320324020/02 | Hülse | left bearing bush | 1 |
| 44 | 5320327010 | Abdeckung | dustproof ring | 2 |
| 45 | 1001020000 | Sicherungsring | A type check ring for shaft | 2 |
| 46 | 4820326010/02 | Scheibe | left spacer of bearing bracket | 1 |
| 47 | 5320328010 | Nylon Lager | nylon bearing | 2 |
| 48 | Y054320 | Getriebe | rear axle | 1 |
| 49 | 5320322010 | Stift | slide pin | 2 |
| 50 | 4820104011 | Lochschaube | hexagon lock screw | 1 |
| 51 | 4820317010 | Feder | spring of gearbox | 1 |

| | | | | |
|----|---------------|--------------------|----------------------------------|---|
| 52 | 4820317011 | Buchse | spacer | 1 |
| 53 | 5020308020 | Spannrolle | gearbox pulley | 1 |
| 54 | 0701005020 | Federstift | spring pin | 2 |
| 55 | 5320114020/02 | Halterung | bearing braket | 2 |
| 56 | 5320321010 | Zahnrad links | right output pinion | 1 |
| 57 | 0104005008 | Bolzen | bolt | 2 |
| 58 | 5320303010 | Höhenversteller | adjustment handle | 1 |
| 59 | 5320325020/02 | Lager | right bearing bush | 1 |
| 60 | 4820401020 | Motorriemenscheibe | engine pulley | 1 |
| 61 | 0105006006 | Lochschraube | lock screw | 1 |
| 62 | 4820402010 | Schild | low belt shield | 1 |
| 63 | 4510401010 | Keil | key | 2 |
| 64 | 4510402010/01 | Messerhalter | blade adapter | 1 |
| 65 | 5310402010 | Friktionsscheibe | friction disk | 2 |
| 66 | 4320403010/22 | Messer | blade | 1 |
| 67 | 5310404010/02 | Ring | lock ring | 1 |
| 68 | 5310406010/04 | Scheibe | spring washer | 1 |
| 69 | 5310415010 | Messerbolzen | central screw | 1 |
| 70 | 5020505010 | Hebel | plastic part on handle | 1 |
| 71 | 5020503020/22 | Griff | clutch handle weldment | 1 |
| 72 | 5020506030/22 | Griff | lever weldment for drive control | 1 |
| 73 | 5020501010/22 | Oberer Griff | upper hander | 1 |
| 74 | 0108006050 | Schraube | bolt | 1 |
| 75 | 0302006000 | Scheibe | flat washer | 1 |
| 76 | 5320508010 | Kabelbox | accelerograph cable box | 1 |
| 77 | 0301006000 | Scheibe | washer | 2 |
| 78 | 4510511010/01 | Kabelhalter | cable clip | 1 |
| 79 | 4320502010/22 | Unterer Holm | lower handle | 1 |
| 80 | 5310510010/01 | Schraube | connecting bolt | 2 |
| 81 | 4510510010/01 | Scheibe | arc washer | 2 |
| 82 | 5320517010 | Kabelhalter | cable block | 2 |
| 83 | 4320515020 | Kupplungszug | cable for drive control | 1 |
| 84 | 4310506011 | Bremskabel | cable for engine brake | 1 |
| 85 | 4810507030 | Gaszug | throttle cable | 1 |
| 86 | 4320602010/22 | Gestell (Fangsack) | grass catcher frame | 1 |
| 87 | 4320603012/81 | Fangsack | grass catcher | 1 |
| 88 | 4320104011 | Keilriemen | v belt | 1 |
| 89 | 4320105010/01 | Höheneinstellung | adapter | 1 |
| 90 | 0104006016 | Schraube | bolt | 2 |