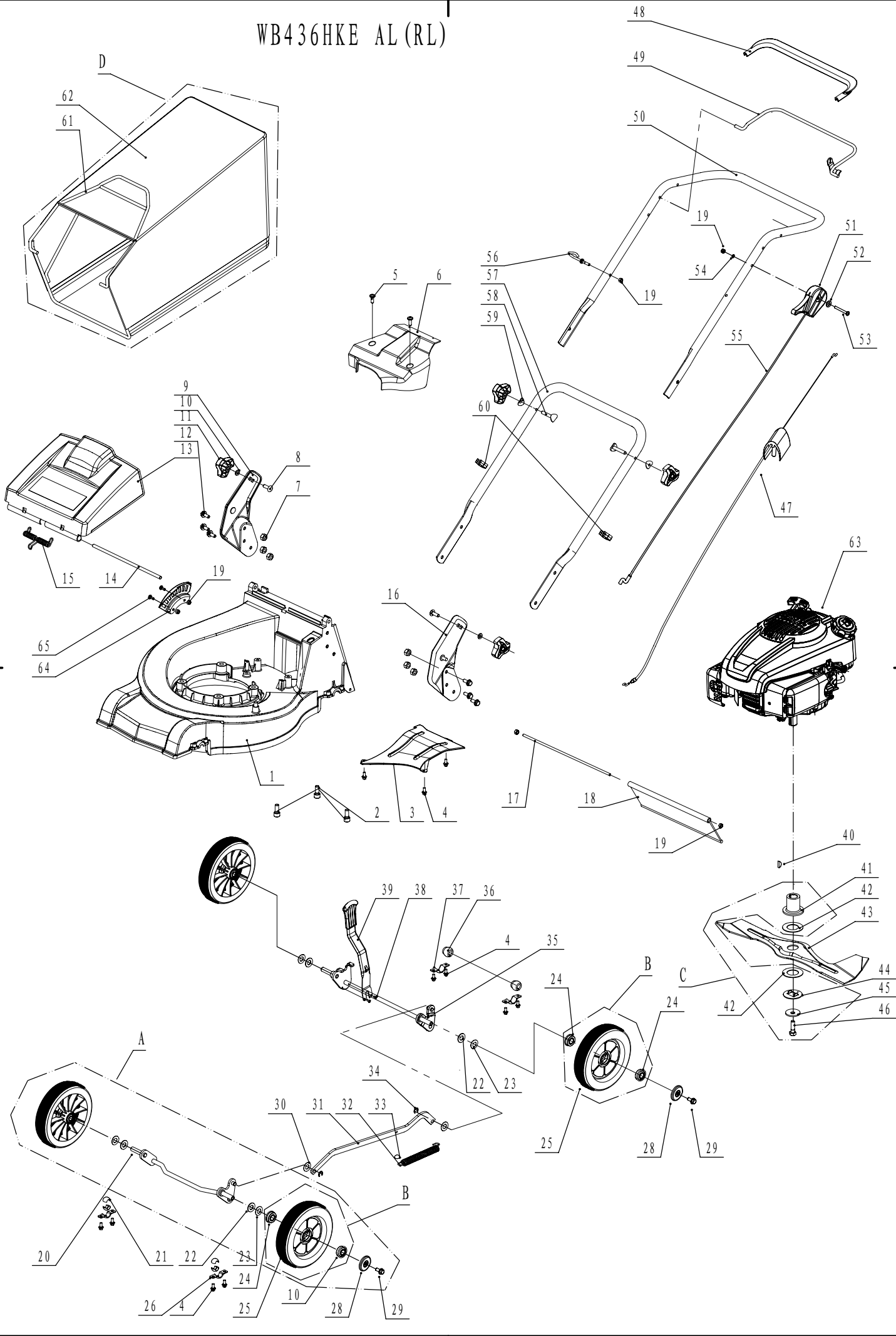


WB436HKE AL (RL)



| Nr. | Ersatzteilnummer | Bezeichnung Deutsch | Bezeichnung Englisch | Anzahl |
|-----|------------------|-----------------------------|------------------------------------|--------|
| 1 | 4320101010/43 | Gehäuse | mower chassis | 1 |
| 2 | 4820102010 | Schraube | bolt | 3 |
| 3 | 4320102010/43 | Schutz | lower deflector | 1 |
| 4 | 4820104010 | Schraube | bolt | 11 |
| 5 | 4820122010 | Innensechskant Lochschraube | bolt | 2 |
| 6 | 4320103010 | Oberer Schutz | upper blet sheath | 1 |
| 7 | 0202008000 | Sicherungsmutter | bolt | 6 |
| 8 | 4510513010/01 | Bolzen | bolt | 2 |
| 9 | 4820125010/22 | Halter (rechts) | right bracket | 1 |
| 10 | 0301008000 | Unterlegscheibe | flat washer | 2 |
| 11 | 4820541010 | Knopf | plastic twist knob | 4 |
| 12 | 0102008016 | Bolzen | bolt | 6 |
| 13 | 4320115010 | Hinterer Abdeckung | rear cover | 1 |
| 14 | 4320116010/01 | Stange | rear cover axis | 1 |
| 15 | 4820128010 | Feder | rear cover spring | 1 |
| 16 | 4820123010/22 | Halter (links) | left bracket | 1 |
| 17 | 4320118010/02 | Stange | rear axis | 1 |
| 18 | 4320119010 | Hinterer Ablenker | rear rubber deflector | 1 |
| 19 | 0202006000 | Sicherungsmutter | bolt | 6 |
| 20 | 4320201010A/01 | Vorderachse | front axis weldment | 1 |
| 21 | 5310209010 | Lager | bearing | 4 |
| 22 | 5310210010/02 | Scheibe | wheel and axis washer | 4 |
| 23 | 5310211010/04 | unterlegscheibe | wheel and axis compensation spring | 4 |
| 24 | 5310213010 | Lager | bearing | 8 |
| 25 | 5340206011/43 | Hinterrad | wheel | 4 |
| 26 | 4820208010/02 | Klammer | bearing bracket | 2 |
| 28 | 48R0210012/01 | Abdeckscheibe | wheel cover | 4 |
| 29 | 0102008016 | Bolzen | bolt | 4 |
| 30 | 4820306013 | Nylon Scheibe | nylon washer | 2 |
| 31 | 4320308010A/43 | Stange | draw staff | 1 |
| 32 | 4320309010 | Feder | draw staff spring | 1 |
| 33 | 4810309010 | Ring | D type bush | 1 |
| 34 | 1301008000 | Sicherungsring | checking ring | 2 |
| 35 | 4310401010A/01 | Hinterachse | rear axle welding | 1 |
| 36 | 4830306010 | Lager | bearing | 2 |
| 37 | 5320114020/02 | halterung | bearing bracket | 2 |
| 38 | 0104005008 | Bolzen | screw | 2 |
| 39 | 5330302010 | Höheneinstellhebel | adjustment handle assembly | 1 |
| 40 | 4510401010 | Keil | key | 1 |
| 41 | 5330402010/02 | Messerbolzen | adapter | 1 |
| 42 | 5310402010 | Friktionsscheibe | friction disk | 2 |
| 43 | 4320403020/22 | Messer 43 cm | blade | 1 |
| 44 | 5310404010/02 | Ring | fixation washer | 1 |
| 45 | 4510406010 | Feder | disc spring | 1 |
| 46 | 5320405010 | Messerschraube | hub nut | 1 |
| 47 | 4310506011 | Bremskabel | clutch cable assembly | 1 |
| 48 | 5020505010 | Hebel | plastic part on handle | 1 |
| 49 | 5020503020/22 | Griff | clutch handle weldment | 1 |
| 50 | 5020501010/22 | Oberer Griff | clutch handle plastic cover | 1 |
| 51 | 5320508010 | Kabelbox | accelerograph cable box | 1 |
| 52 | 0302006000 | Scheibe | flat washer | 1 |
| 53 | 0104006050 | Bolzen | bolt | 1 |

| | | | | |
|----|---------------|--------------------|-----------------------|---|
| 54 | 0301006000 | Scheibe | flat washer | 1 |
| 55 | 4810507030 | Gaszug | throttle cable sheath | 1 |
| 56 | 4510511010/01 | Kabelhalter | cable clip | 1 |
| 57 | 4320502010/22 | Unterer Holm | lower handle | 1 |
| 58 | 5310510010/01 | Schraube | connecting bolt | 2 |
| 59 | 4510510010/01 | Scheibe | arc washer | 2 |
| 60 | 5320517010 | Kabelhalter | cable block | 2 |
| 61 | 4320602010/22 | Gestell (Fangsack) | grass catcher frame | 1 |
| 62 | 4320603012/81 | Fangsack | grass catcher | 1 |
| 63 | XT675 | Motor | engine | 1 |
| 64 | 4320105010/01 | Höheneinstellung | graduator | 1 |
| 65 | 0104006016 | Schraube | bolt | 2 |