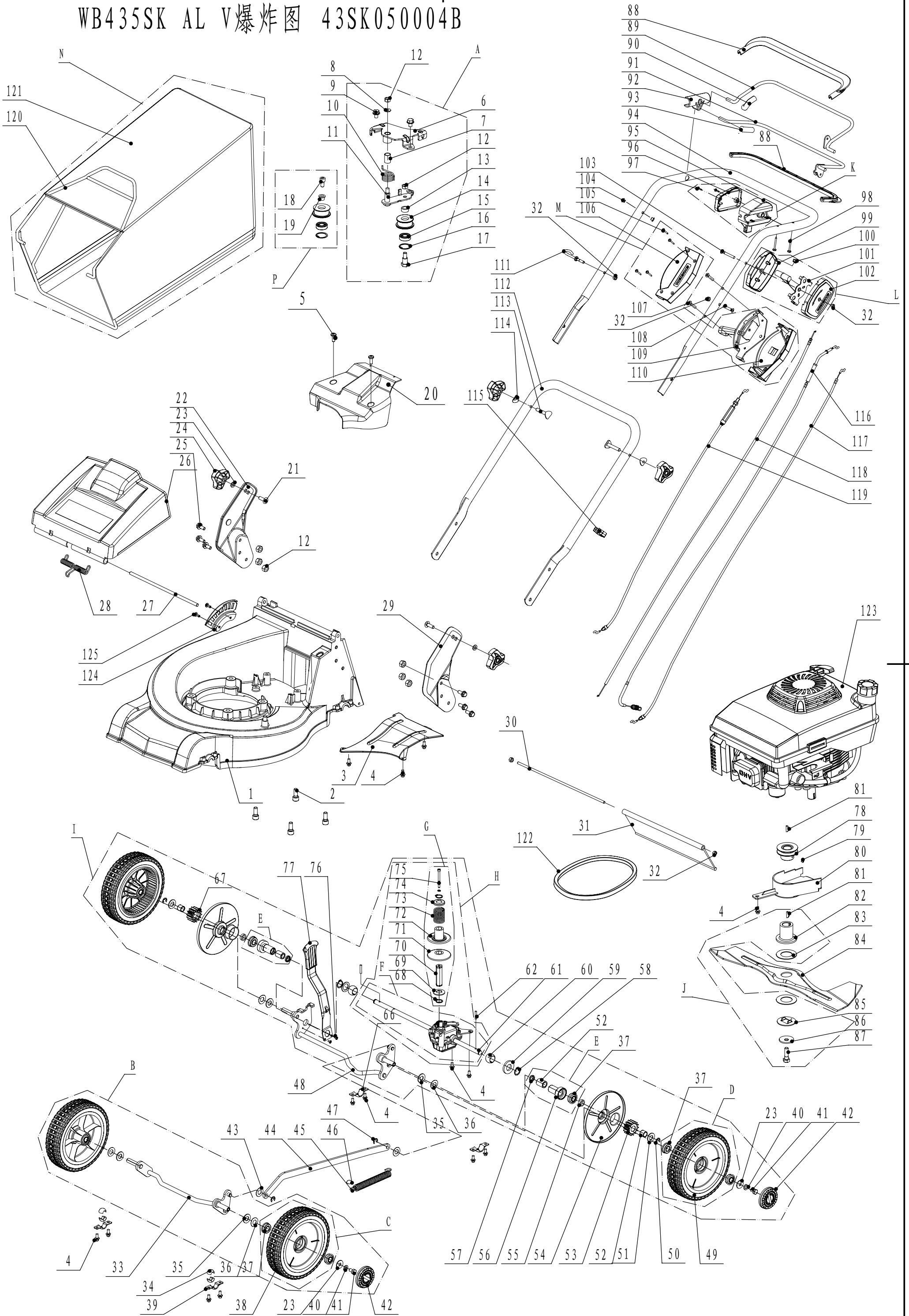


# WB435SK AL V爆炸图 43SK050004B



**WB435SK AL V Ersatzteilliste**

Order	Teil Nummer	Bez.: Deutsch	Bez.: Englisch	Anzahl
1	4320101010	Gehäuse	mower chassis	1
2	103010025	Schraube	inner hexagon screw	4
3	4320102010	Ablenkstück	bottom deflector for discharge	1
4	4820104010	Schraube	hexagon flange lock screw	14
5	4820122010	Schraube	inner hexagon lock screw	2
6	4320108010	bord	tension fix board welding	1
7	4820112010	Nylon Klammer	tension fix board nylon cover	1
8	302008000	Scheibe	flat washer	1
9	4820113010	Bolzen	lockbolt	2
10	4320114010	Feder	tension spring	1
11	4320110010	Halter	tension rod welding	1
12	202008000	Mutter	hexagon lock nut	8
13	4820118010	Scheibe	tension spacer	1
14	4820119010	Spannrad	tension wheel	2
15	6001-2RZ	Kugellager	ball bearing	2
16	901028000		spring circle	2
17	4820120010	Bolzen	tension bolt	1
18	4320107010	Schraube	inner hex flange screw	1
19	4320113010	Scheibe	spacer	1
20	4320103010	oberer Schutz	upper belt shield	1
21	4510513010	Bolzen	half square neck bolt	2
22	4820125010	rechter Halter	right bracket	1
23	301008000	Scheibe	flat washer	6
24	4820541010	Knopf	knob	4
25	102008016	Bolzen	hex flange bolt	6
26	4320115010	hinterer Abdeckung	rear cover	1
27	4320116010	Abdeckungshalter	rear cover axle	1
28	4820128010	Feder	rear cover tension spring	1
29	4820123010	linker >Halter	left bracket	1
30	4320118010	Stange	tail deflector pivot	1
31	4320119010	hinterer Ablenker	rear deflector	1
32	202006000		hexagon lock nut	5
33	4320201010	Vorderachse	front axle welding	1
34	5310209010	Lager	bearing	4
35	5310210010	Scheibe	spacer	4
36	5310211010	Feder	equalizing spring	4
37	5310213010	Lager	bearing	10
38	4820209010	Vorderrad	front wheel	2
39	4820208010	Lagerhalter	bearing bracket	2
40	401008000	Federscheibe	spring washer	4
41	101008015	Bolzen	bolt	4
42	4520205010	Radschild	wheel cover	4
43	4820306013	Nylonscheibe	nylon washer	2
44	4320308010	Hebel	draw staff	1
45	4320309010	Feder	draw staff spring	1
46	4810309010	Kappe	D type check cap	1
47	1301008000	Sicherungsring	check ring	2
48	4320301010	Hinterachse	rear axle welding	1
49	4820305010	Hinterrad	rear wheel	2
50	1301009000	Sicherungsring	check ring	2
51	5020311010	Reibscheibe	friction disk	2

52	5320326010	Lager	bearing	4
53	5320320010	Zahnrad links	left output pinion	1
54	4520308010	Radabdeckung	rear wheel dustproof cover	2
55	4820318010	Buchse	main axis bush	2
56	5320324020	Lagerung	left bearing bush	2
57	5320327010	Ring	dustproof ring	2
58	1001020000	Sicherungsring	A type check ring for shaft	2
59	4820326010	Platzhalter	left spacer of bearing bracket	1
60	5320328010	Nylonlager	nylon bearing	2
61	4320305010	Hinterachse	rear axle	1
62	5320322010	Stift	slide pin	2
63	4820319010	Getriebeanschlag	gear box fixing board	1
66	5320114020	Lagerhalter	bearing bracket	2
67	5320321010	Zahnrad rechts	right output pinion	1
68	1001017000	Sicherungsring	A type check ring for shaft	2
69	4820320010	Scheibe	hex flange washer	1
70	4820321010	Innensechskant	hex flange connecting cover	1
71	4820322010	Radscheibe	low belt wheel disc	1
72	4820323010	Radscheibe	belt wheel disc	1
73	4820324010	Feder	press spring	1
74	4820325010	Federkappe	spring shield circle	1
75	103005055	Schraube	inner hex flange screw	1
76	104005008	Bolzen	bolt	2
77	5320303010	Höhenversteller	adjustment lever	1
78	4820401020	Motorriemenscheibe	engine pulley	1
79	105006006	Schraube	lock screw	1
80	4820402010	Schild	low belt shield	1
81	4510401010	Keil	key	2
82	4510402010	Messerhalter	blade adapter	1
83	5310402010	Reibscheibe	friction disk	2
84	4320403010	Messer	blade	1
85	5310404010	Ring	lock ring	1
86	5310406010	Federscheibe	spring washer	1
87	5310415010	Zentralbolzen	central screw	1
88	5020505010	Hebel	lever harness	2
89	4320503010	Hebel	lever weldment for engine barke	1
90	4820505010	Hebelabdeckung	lever cover	1
91	4320512010	Hebel f. Antrieb	lever weldment for drive control	1
92	4820511010	Drehpunkt Klammer	pivot bracket	1
93	4820510010	Hebelabdeckung	lever cover	1
94	4320501010	Holm oben	upper handle	1
95	4820515010	Kabelbox Für Kontrollhebel	cable box for control levers	1
96	4820516010	Kabelbox Schild	cable box cover for control	1
97	106004015	Schraube	cross slot screw	2
98	106005040	Schraube	cross slot screw	2
99	4820520010	Rechtes Gehäuse f. Gasgriff	right cover of throttle box	1
100	4820520020	Schild	plug of throttle box	1
101	4820518020	Gasgriff	bracket assembly of throttle box	1
102	4820519010	Linkes Gehäuse f. Gasgriff	left cover of throttle box	1
103	108006050	Schraube	cross slot screw	1
104	4820513010	Stecker	plug for handle	2
105	106004025	Schraube	screw	4
106	4820528010	Abdeckung	speed box cover	1
107	108006030	Schraube	screw	2
108	108006035	Schraube	screw	1
109	4320514020	Drehzahlverstellung	speed adjustment structure	1

110	4820529010	Abdeckung	speed adjustment low cover	1
111	4510511010	Startseilknopf	pothook for starter rope	1
112	4320502010	Holm unten	low handle	1
113	5310510010	Anschluss Bolzen	connecting bolt	2
114	4510510010	Scheibe	handle washer	2
115	5320517010	Seilführung	line check	1
116	4320515010	Antriebskabel	clutch rope	1
117	4320508010	Bremskabel	brake rope	1
118	4320510010	Gaszug	throttle cable	1
119	4320511010	Drehzahlverstellung	speed adjustment start rope	1
120	4320602010	Rahmen	grass catcher frame	1
121	4320603010	Fangsack	grass catcher	1
122	4320104010	Keilriemen	v belt	1
123	FJ151V	Motor	engine	1
124	4320105010	Adapter	adapter	1
125	104006014	Bolzen	bolt	2